

SOLID SURFACE BITS

Bevel Bowl Bits

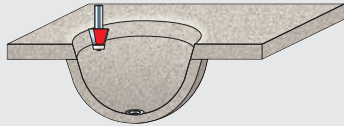
USE IN



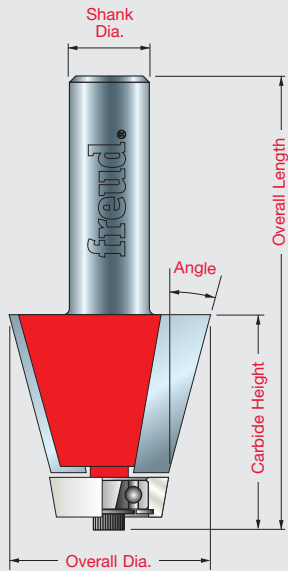
Hand Router

APPLICATION

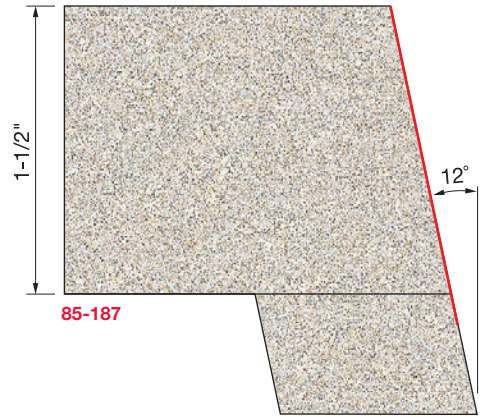
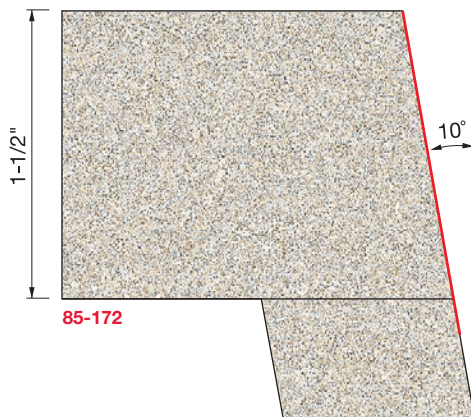
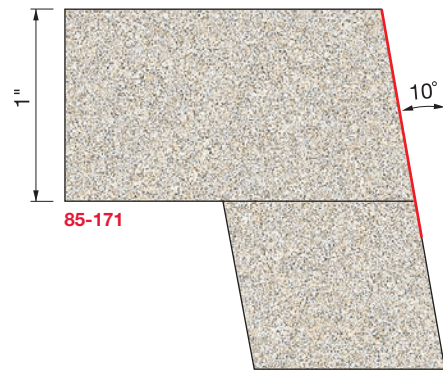
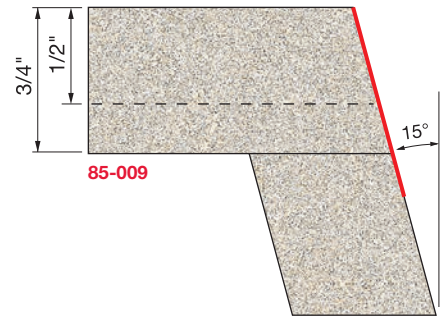
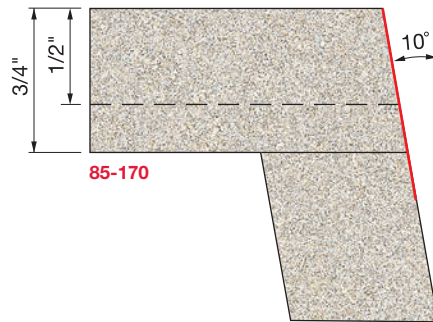
Trimming joint between solid surface countertops and solid surface sink bowls with a beveled edge. Specially formulated carbide is ideal for fabricating solid surface materials. Features non-marring synthetic bearing to protect finished edges.



ROUTER BITS



| ITEM NUMBER | FOR TOP THICKNESS | OVERALL DIA. | CARBIDE HEIGHT | ANGLE | SHANK DIA. | OVERALL LENGTH |
|---|-------------------|--------------|----------------|-------|------------|----------------|
| For Avonite®, Cerata® and Corian® sinks and bowls | | | | | | |
| 85-170 | 1/2" or 3/4" | 1-3/8" | 1" | 10° | 1/2" | 2-7/8" |
| 85-171 | 1" | 1-9/16" | 1-1/4" | 10° | 1/2" | 3-1/8" |
| 85-172 | 1-1/2" | 1-3/4" | 1-3/4" | 10° | 1/2" | 3-3/8" |
| For Royal Stone®, Gruber® and Staron® sinks and bowls | | | | | | |
| 85-187 | 1-1/2" | 1-3/4" | 1-3/4" | 12° | 1/2" | 3-5/8" |
| For 15° sinks and bowls | | | | | | |
| 85-009 | 1/2" or 3/4" | 1-9/32" | 1" | 15° | 1/2" | 2-7/8" |



Avonite® is a registered trademark of Aristech Acrylics LLC, Cerata® is a registered trademark of Hartson-Kennedy Corp., Corian® is a registered trademark of Dupont Co., Gruber® is a registered trademark of Gruber System, Inc., Royal Stone® is a registered trademark of Royal Stone Industries, Inc., Staron® is a registered trademark of Samsung, Inc.

Flush Trim Solid Surface Bits

SOLID SURFACE BITS

| ITEM NUMBER | FOR TOP THICKNESS | SHEAR DIRECTION | OVERALL DIA. | CARBIDE HEIGHT | SHANK DIA. | OVERALL LENGTH |
|-------------------------------|-------------------|-----------------|--------------|----------------|------------|----------------|
| 85-227 | 1/2" to 1-1/2" | N/A | 3/4" | 1-3/4" | 1/2" | 3-5/8" |
| Spiral Flush Trim Bits | | | | | | |
| 75-508 | 1" | Up | 1/2" | 1-1/4" | 1/2" | 3-3/4" |
| 75-509 | 1-3/4" | Up | 1/2" | 2" | 1/2" | 4-11/16" |
| 76-508 | 1" | Down | 1/2" | 1-1/4" | 1/2" | 3-3/4" |
| 76-509 | 1-3/4" | Down | 1/2" | 2" | 1/2" | 4-11/16" |

USE IN

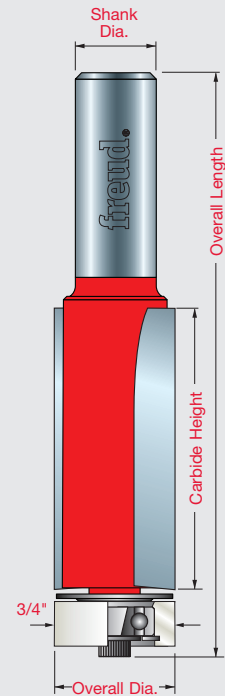
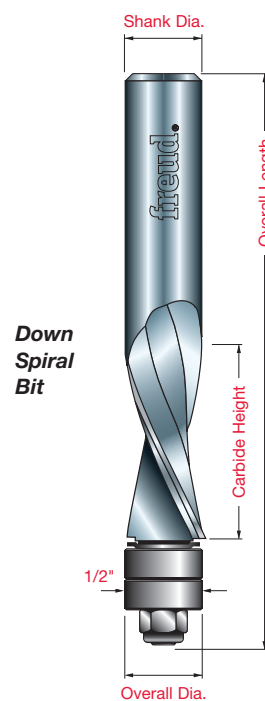
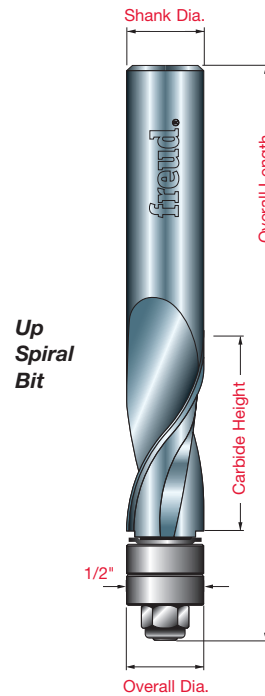
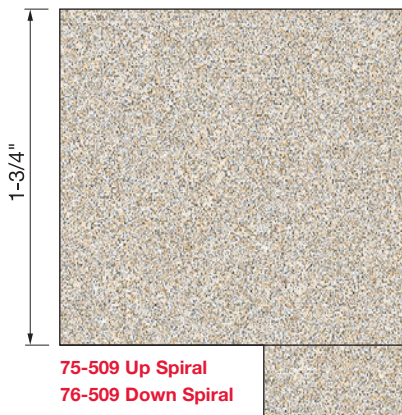
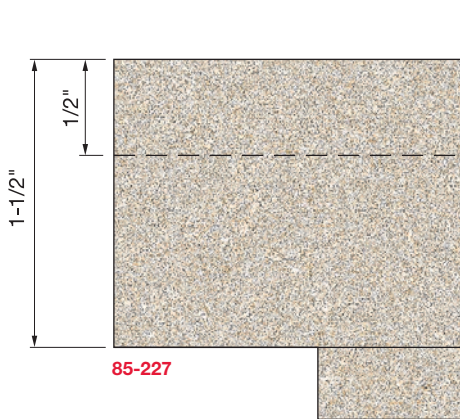


Hand Router

APPLICATION

Flush trimming of solid surface materials. Specially formulated carbide is ideal for fabricating solid surface materials. Bit #85-227 features non-marring synthetic bearing to protect finished edges. Spiral flush trim bits deliver very fast, clean cuts in thick solid surface materials.

ROUTER BITS



Red Item Numbers Indicate 1/2" Shank

All Profile Drawings 1:1 Scale

SOLID SURFACE BITS

Overhang Trim and Cut Out Bits

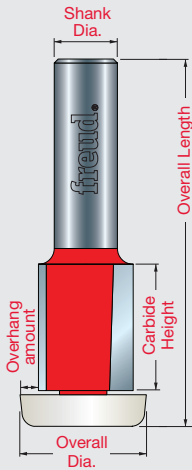
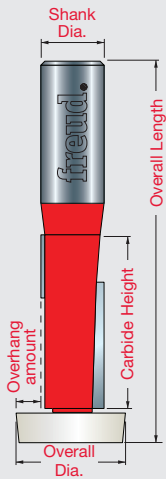
USE IN



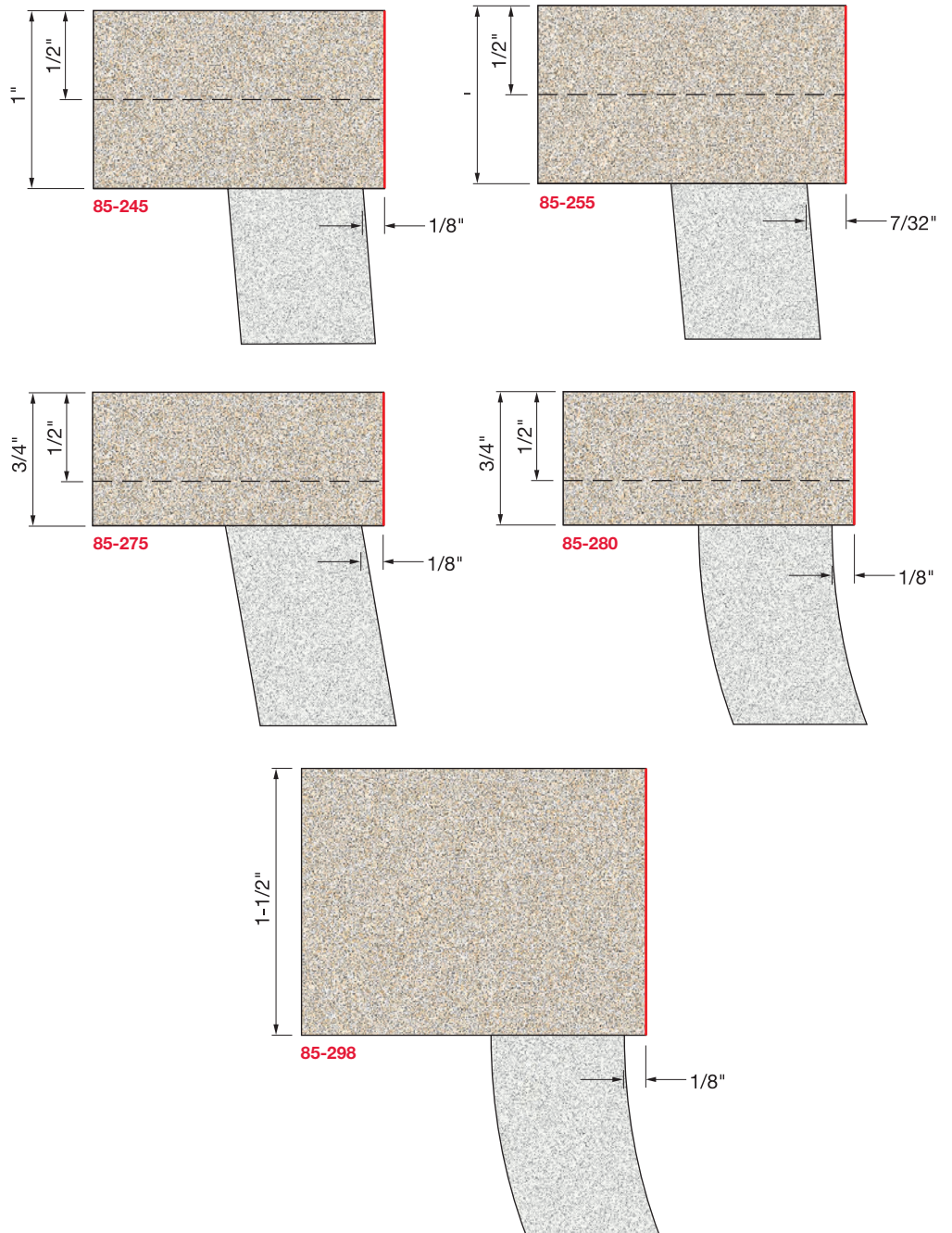
Hand Router

APPLICATION

Initial bowl cut out to prepare for round over, ogee, bevel or bull nose finish cuts. Specially formulated carbide is ideal for fabricating solid surface materials. Features non-marring synthetic bearing to protect finished edges.



| ITEM NUMBER | FOR TOP THICKNESS | OVERHANG AMOUNT | OVERALL DIA. | CARBIDE HEIGHT | SHANK DIA. | OVERALL LENGTH |
|--|-------------------|-----------------|--------------|----------------|------------|----------------|
| Overhang Cut Out Bits with 5° beveled bearing | | | | | | |
| 85-245 | 1-1/4" | 1/8" | 1/2" | 1-3/8" | 1/2" | 3" |
| 85-255 | 1-1/4" | 7/32" | 1/2" | 1-3/8" | 1/2" | 3" |
| Overhang Trim Bit with 10° beveled bearing | | | | | | |
| 85-275 | 1/2" or 3/4" | 1/8" | 3/4" | 1" | 1/2" | 2-7/8" |
| Overhang Trim Bits with 5° radiused bearing | | | | | | |
| 85-280 | 1/2" or 3/4" | 1/8" | 3/4" | 1" | 1/2" | 2-7/8" |
| 85-298 | 1-1/2" | 1/8" | 3/4" | 1-3/4" | 1/2" | 3-5/8" |

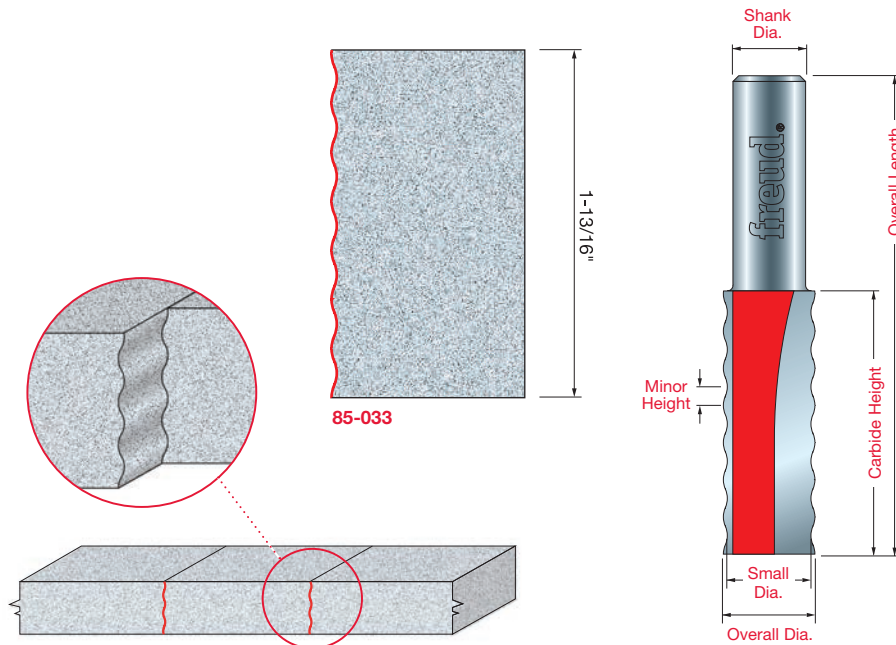


ROUTER BITS

Wavy Joint Bit

SOLID SURFACE BITS

| ITEM NUMBER | OVERALL DIA. | SMALL DIA. | CARBIDE HEIGHT | MINOR HEIGHT | SHANK DIA. | OVERALL LENGTH |
|-------------|--------------|------------|----------------|--------------|------------|----------------|
| 85-033 | 5/8" | 37/64" | 1-13/16" | 1/8" | 1/2" | 3-1/8" |



USE IN



Hand Router

APPLICATION

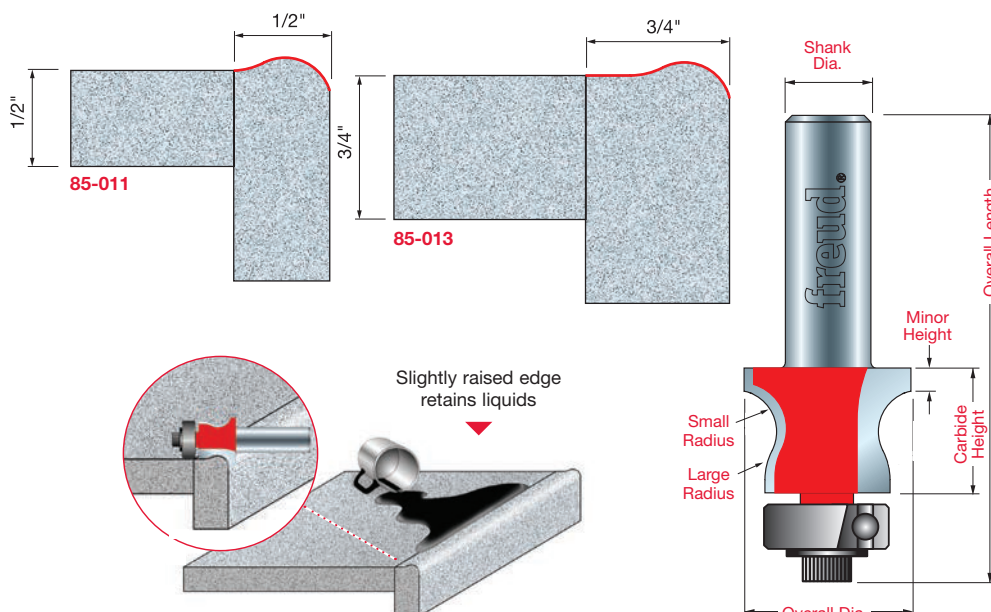
Producing a sturdy joint in solid surface countertops. Waves formed in material accommodate more surface glue, creating a solid joint. Specially formulated carbide is ideal for fabricating solid surface materials.

ROUTER BITS

No Drip Edge Bits

SOLID SURFACE BITS

| ITEM NUMBER | OVERALL DIA. | CARBIDE HEIGHT | MINOR HEIGHT | LARGE RADIUS | SMALL RADIUS | SHANK DIA. | OVERALL LENGTH |
|-------------|--------------|----------------|--------------|--------------|--------------|------------|----------------|
| 85-011 | 1" | 3/4" | 9/64" | 3/8" | 1/4" | 1/2" | 2-13/16" |
| 85-013 | 1" | 1" | 9/64" | 3/8" | 1/4" | 1/2" | 3-1/16" |



USE IN



Hand Router

APPLICATION

Creating a slightly raised edge on a solid surface countertop. Specially formulated carbide is ideal for fabricating solid surface materials.

SOLID SURFACE BITS



Under Rounding Bit For Bull Nose

USE IN



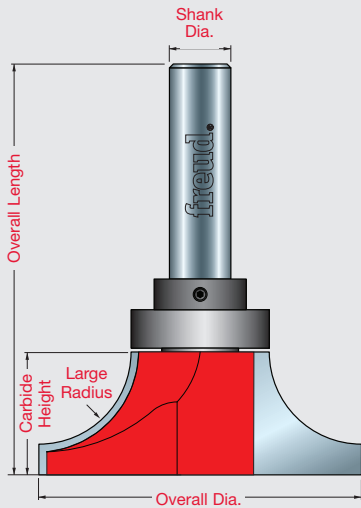
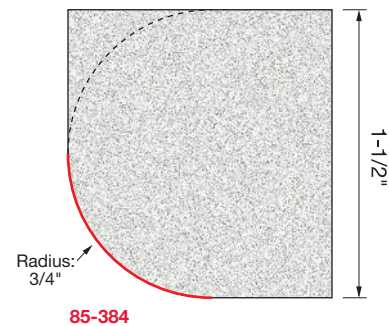
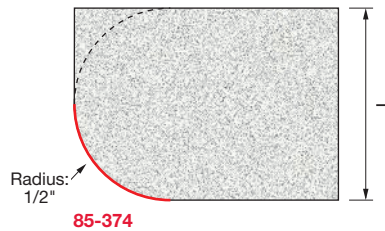
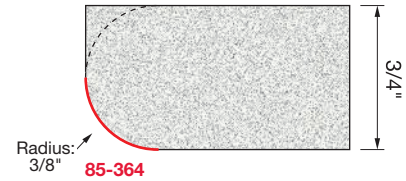
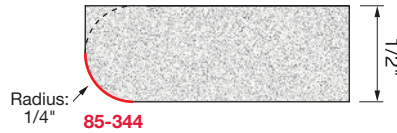
Hand Router

APPLICATION

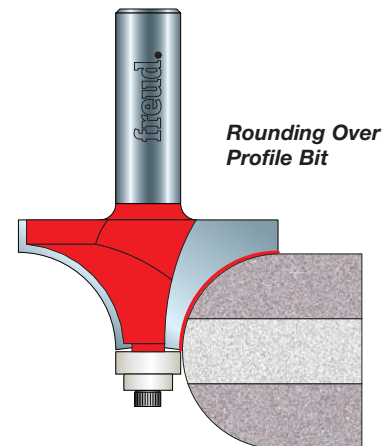
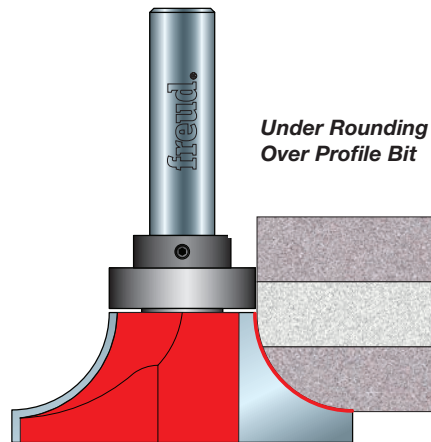
Routing the lower portion of a bull nose edge. Combine these bits with the rounding over bits above to create perfect bull nose edges. Specially formulated carbide is ideal for fabricating solid surface materials.

ROUTER BITS

| ITEM NUMBER | FOR TOP THICKNESS | OVERALL DIA. | CARBIDE HEIGHT | LARGE RADIUS | SHANK DIA. | OVERALL LENGTH |
|-------------|-------------------|--------------|----------------|--------------|------------|----------------|
| 85-344 | 1/2" | 1-5/8" | 3/8" | 1/4" | 1/2" | 2-5/8" |
| 85-364 | 3/4" | 1-7/8" | 1/2" | 3/8" | 1/2" | 2-3/4" |
| 85-374 | 1" | 2-1/8" | 3/4" | 1/2" | 1/2" | 3" |
| 85-384 | 1-1/2" | 2-5/8" | 1" | 3/4" | 1/2" | 3-3/8" |



A full bull nose profile can be created by using the under rounding bit to create the bottom round over profile and use the rounding over bit (next page) to create the top round over profile.

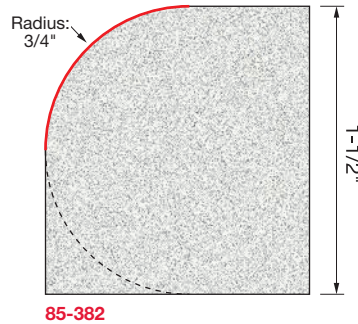
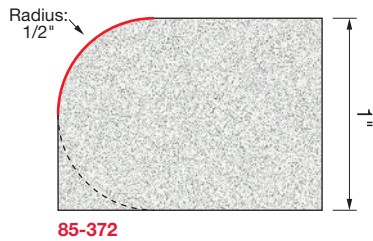
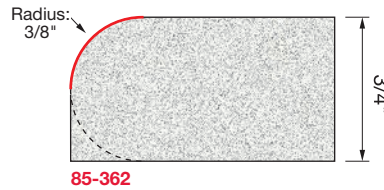
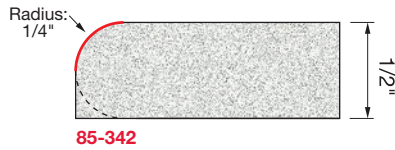


Rounding Over Bits



SOLID SURFACE BITS

| ITEM NUMBER | FOR TOP THICKNESS | OVERALL DIA. | CARBIDE HEIGHT | LARGE RADIUS | SHANK DIA. | OVERALL LENGTH |
|-------------|-------------------|--------------|----------------|--------------|------------|----------------|
| 85-342 | 1/2" | 1" | 3/8" | 1/4" | 1/2" | 2-3/8" |
| 85-362 | 3/4" | 1-1/4" | 1/2" | 3/8" | 1/2" | 2-1/2" |
| 85-372 | 1" | 1-1/2" | 3/4" | 1/2" | 1/2" | 2-3/4" |
| 85-382 | 1-1/2" | 2" | 1" | 3/4" | 1/2" | 3" |



USE IN

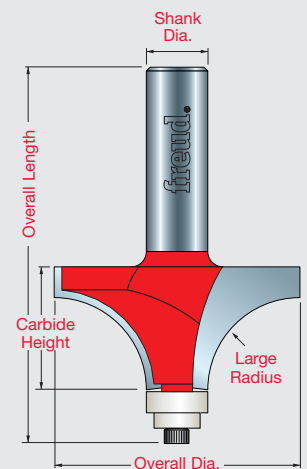


Hand Router

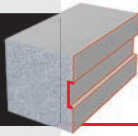
APPLICATION

Rout rounded top edges, or use with under rounding bits to create bull nose profiles. Use to rout a round over, or in combination with the under rounding bits with the same radius to rout a bull nose. Specially formulated carbide is ideal for fabricating solid surface materials. Features non-marring synthetic bearing to protect finished edges.

ROUTER BITS



SOLID SURFACE BITS



Inlay Bits

USE IN

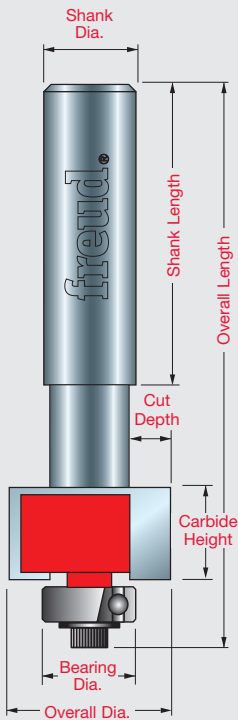


Hand Router

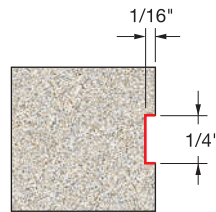
APPLICATION

Decorative inlay work in solid surface countertops. Specially formulated carbide is ideal for fabricating solid surface materials.

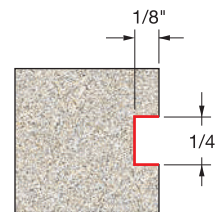
ROUTER BITS



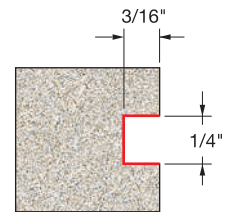
| ITEM NUMBER | OVERALL DIA. | CUT DEPTH | BEARING DIA. | CARBIDE HEIGHT | SHANK LENGTH | SHANK DIA. | OVERALL LENGTH |
|-------------|--------------|-----------|--------------|----------------|--------------|------------|----------------|
| 85-015 | 7/8" | 1/16" | 3/4" | 1/4" | 1-5/8" | 1/2" | 2-13/16" |
| 85-017 | 7/8" | 1/8" | 5/8" | 1/4" | 1-5/8" | 1/2" | 2-13/16" |
| 85-019 | 7/8" | 3/16" | 1/2" | 1/4" | 1-5/8" | 1/2" | 2-13/16" |
| 85-021 | 7/8" | 1/16" | 3/4" | 1/2" | 1-5/8" | 1/2" | 3-1/16" |
| 85-023 | 7/8" | 1/8" | 5/8" | 1/2" | 1-5/8" | 1/2" | 3-1/16" |
| 85-025 | 7/8" | 3/16" | 1/2" | 1/2" | 1-5/8" | 1/2" | 3-1/16" |
| 85-027 | 7/8" | 1/16" | 3/4" | 3/4" | 1-5/8" | 1/2" | 3-5/16" |
| 85-029 | 7/8" | 1/8" | 5/8" | 3/4" | 1-5/8" | 1/2" | 3-5/16" |
| 85-031 | 7/8" | 3/16" | 1/2" | 3/4" | 1-5/8" | 1/2" | 3-5/16" |



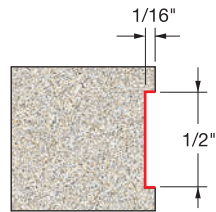
85-015



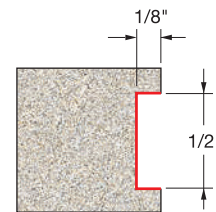
85-017



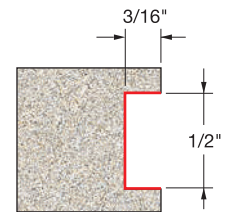
85-019



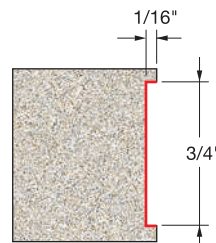
85-021



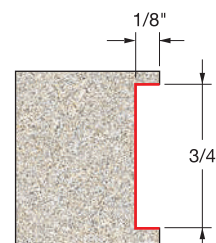
85-023



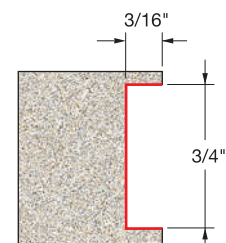
85-025



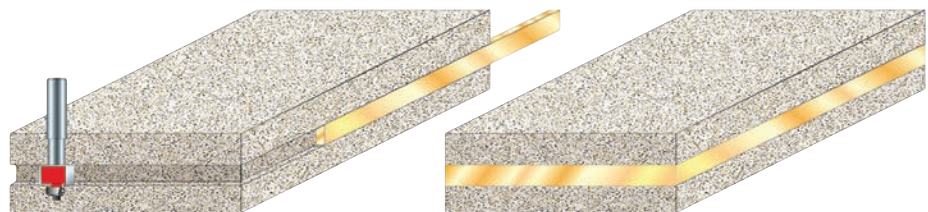
85-027



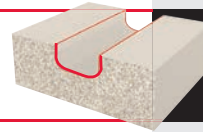
85-029



85-031

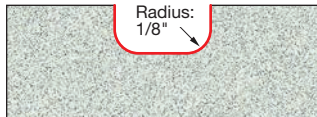


Drainboard Bits

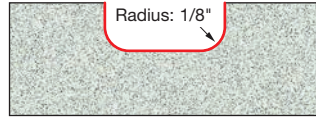


SOLID SURFACE BITS

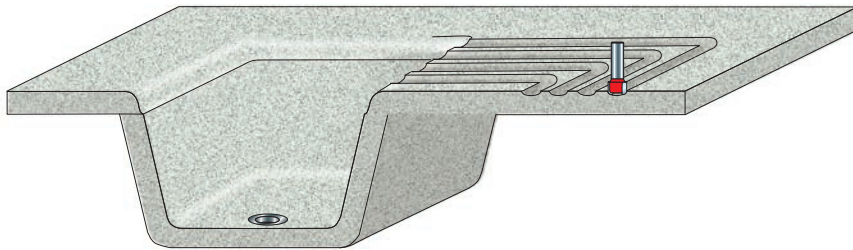
| ITEM NUMBER | OVERALL DIA. | CARBIDE HEIGHT | LARGE RADIUS | SHANK DIA. | OVERALL LENGTH |
|-------------|--------------|----------------|--------------|------------|----------------|
| 85-050 | 1/2" | 1/2" | 1/8" | 1/2" | 2-7/8" |
| 85-052 | 5/8" | 1/2" | 1/8" | 1/2" | 2-7/8" |



85-050



85-052



USE IN

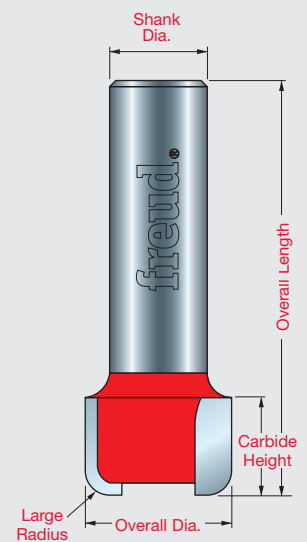


Hand Router

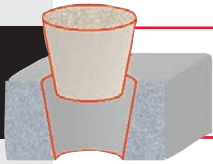
APPLICATION

Routing grooves in drainboard countertops. Specially formulated carbide is ideal for fabricating solid surface materials.

ROUTER BITS



SOLID SURFACE BITS



Trimming, Repair and Bowl Removal Bits

USE IN



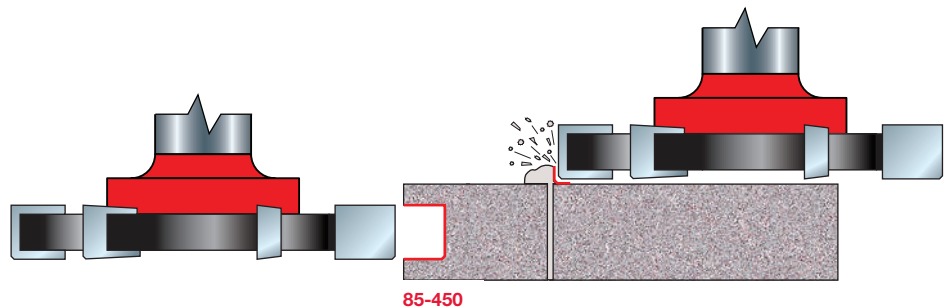
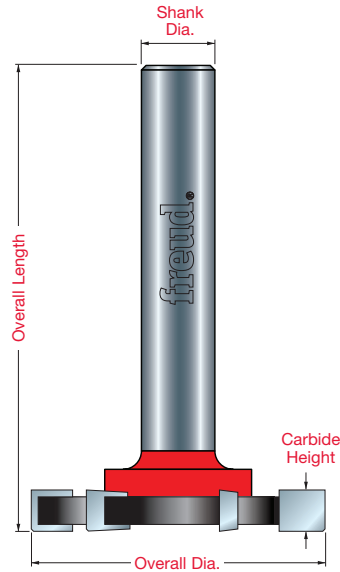
Hand Router

APPLICATION

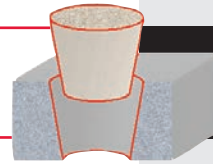
Trimming, repair and bowl removal. Specially formulated carbide is ideal for fabricating solid surface materials.

ROUTER BITS

| ITEM NUMBER | DESCRIPTION | OVERALL DIA. | CARBIDE HEIGHT | ANGLE | SHANK DIA. | OVERALL LENGTH |
|--|---|--------------|----------------|---------|------------|----------------|
| Trimming & Grooving Bit, removes excess adhesive, cuts spline grooves | | | | | | |
| 85-450 | 6 wing trim | 2" | 1/4" | - | 1/2" | 3-1/8" |
| Solid Surface "Dovetail" Repair Set, produces matching bevel edges | | | | | | |
| 85-300 | Bevel Bit | 1-1/8" | 1" | 12-1/2° | 1/2" | 3" |
| 85-305 | Dovetail Bit | 1-1/8" | 1" | 13° | 1/2" | 3" |
| 4-Wing Bowl Removal Bits, remove damaged bowls from tops | | | | | | |
| 85-465 | 1-1/8" cut depth, For all bowls except Corian® | 3-5/8" | 1/4" | - | 1/2" | 2-5/8" |
| 85-470 | 15/16" cut depth, For Corian® bowls | 3-3/16" | 1/4" | - | 1/2" | 2-5/8" |
| Plug Cutter Repair Set, use to repair holes and gouges in tops | | | | | | |
| 85-175 | Plug Cutter | 2-1/4" | 1-7/16" | - | 1/2" | 3-5/16" |
| | Tapered Hole Cutter | 1-11/16" | 1-7/16" | - | 1/2" | 3-5/16" |



Trimming, Repair and Bowl Removal Bits



SOLID SURFACE BITS

CONTINUED

USE IN

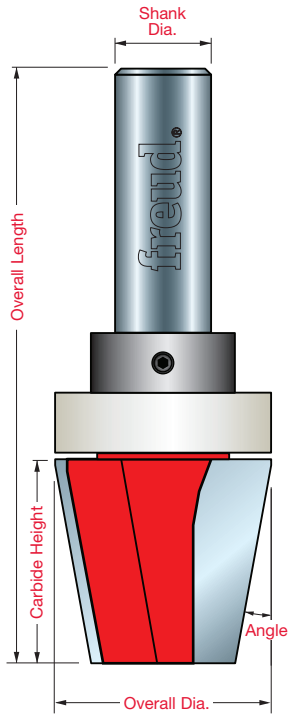


Hand Router

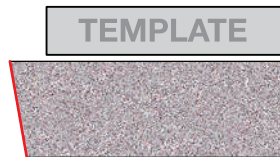
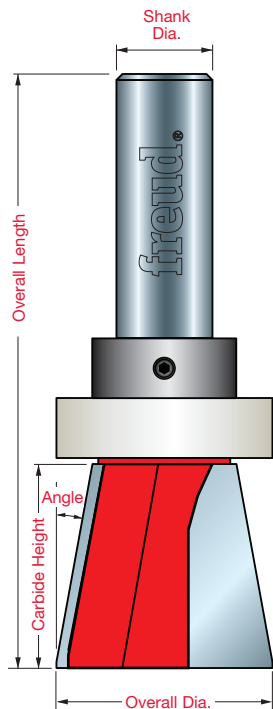
APPLICATION

Trimming, repair and bowl removal. Specially formulated carbide is ideal for fabricating solid surface materials.

ROUTER BITS

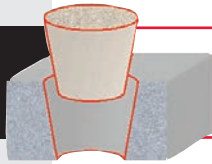


85-300



85-305

SOLID SURFACE BITS



Trimming, Repair and Bowl Removal Bits

CONTINUED

USE IN

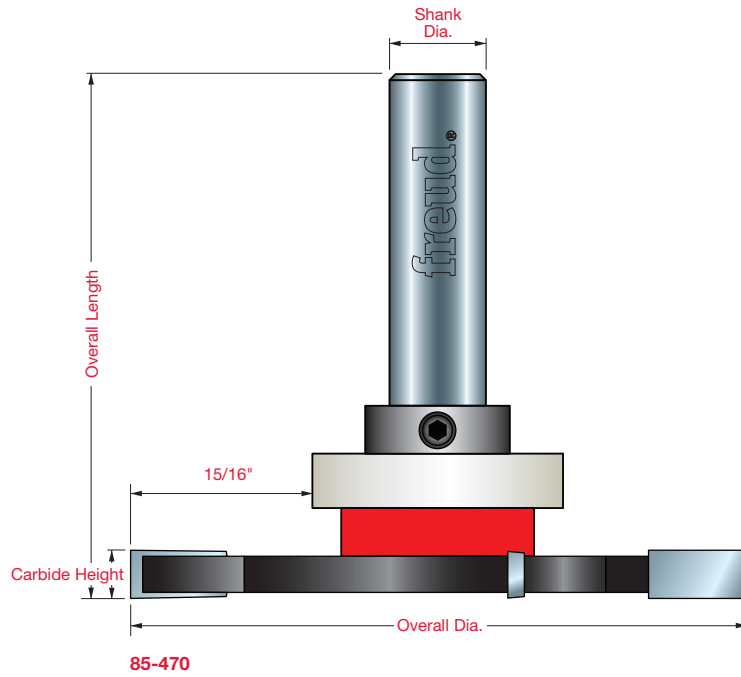


Hand Router

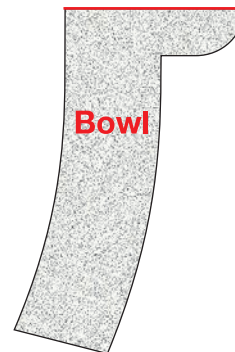
APPLICATION

Trimming, repair and bowl removal. Specially formulated carbide is ideal for fabricating solid surface materials.

ROUTER BITS

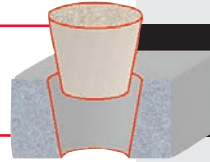


Bits #85-465 & #85-470 are used for removing mounted bowls as shown below.



85-465 / 85-470

Trimming, Repair and Bowl Removal Bits



SOLID SURFACE BITS

CONTINUED

USE IN



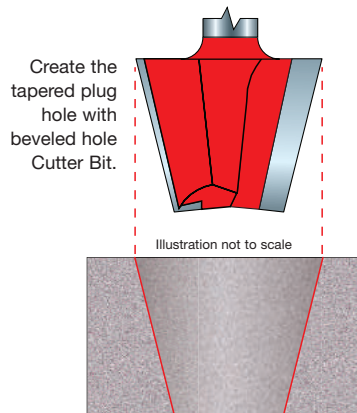
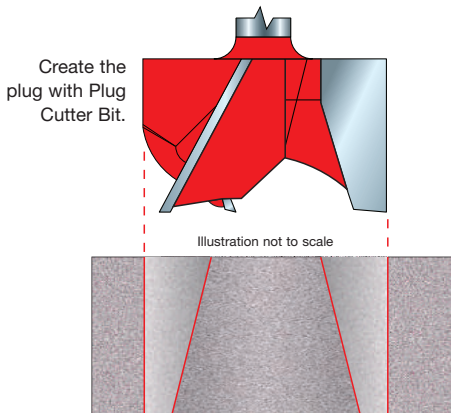
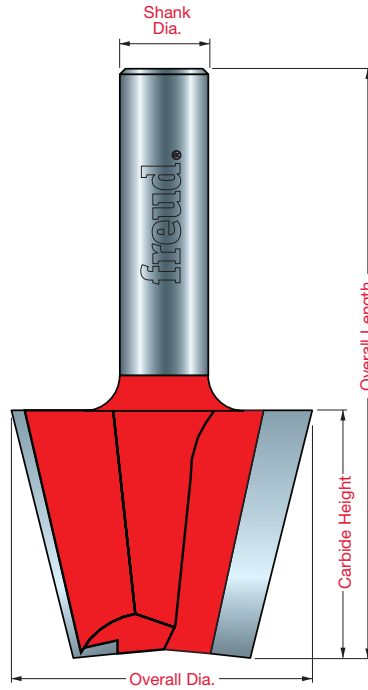
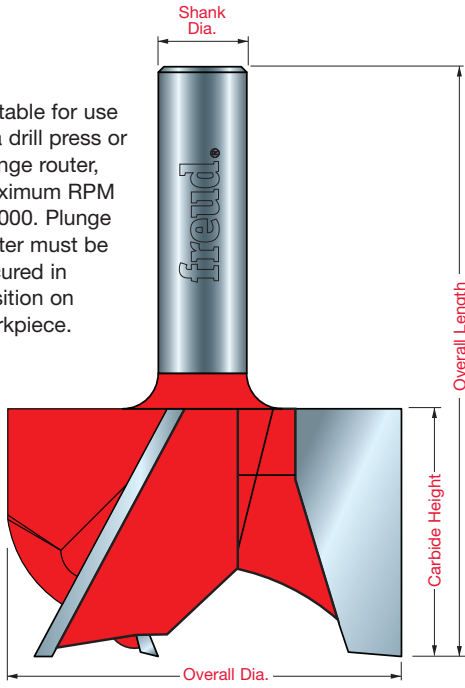
Hand Router

APPLICATION

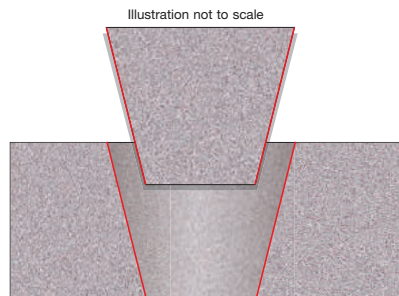
Trimming, repair and bowl removal. Specially formulated carbide is ideal for fabricating solid surface materials.

ROUTER BITS

Suitable for use in a drill press or plunge router, maximum RPM 12,000. Plunge router must be secured in position on workpiece.

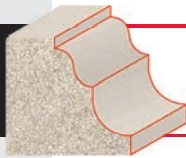


Plug is ready for installation and finishing. Maximum plug diameter is 1-3/4".



85-175 2 Bit Set

SOLID SURFACE BITS



Solid Surface Edge Profile Bits

USE IN



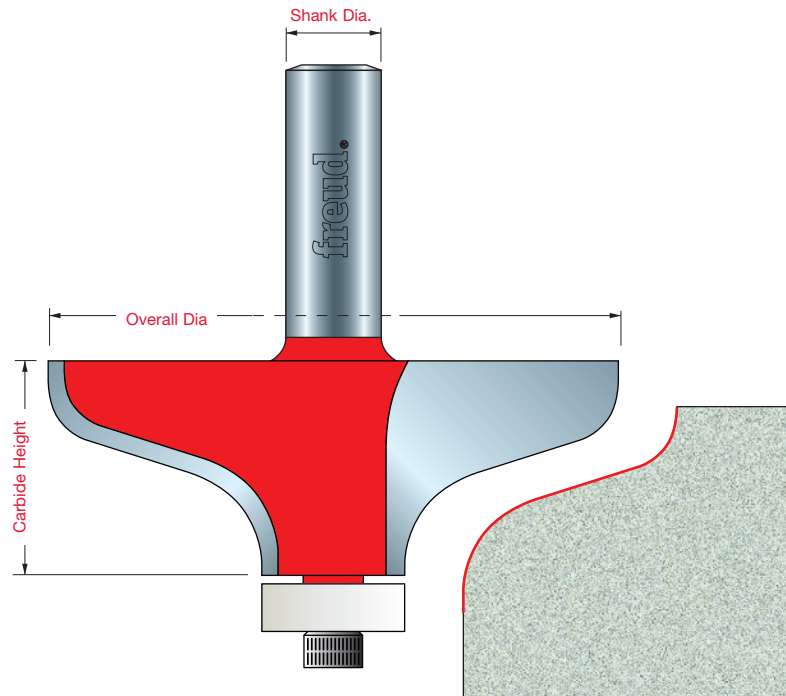
Hand Router

APPLICATION

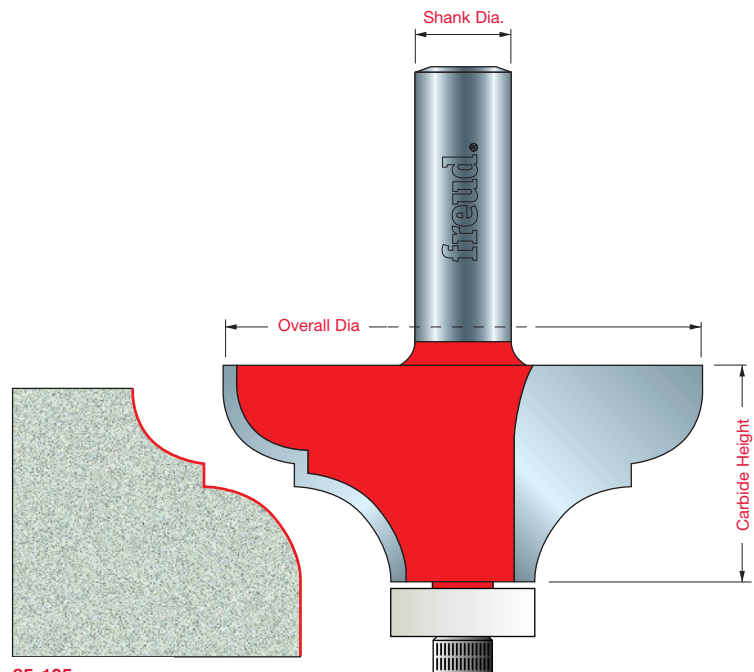
Decorative edges on all solid surface tops. Specially formulated carbide is ideal for fabricating solid surface materials.

ROUTER BITS

| ITEM NUMBER | OVERALL DIA. | CARBIDE HEIGHT | SHANK DIA. | BEARING TYPE |
|-------------|--------------|----------------|------------|--------------|
| 85-101 | 3" | 1-1/8" | 1/2" | Synthetic |
| 85-105 | 2-1/2" | 1-1/8" | 1/2" | Synthetic |
| 85-108 | 2-1/2" | 1-1/4" | 1/2" | Steel |
| 85-115 | 3-1/8" | 1" | 1/2" | Steel |
| 85-118 | 1-11/16" | 3/4" | 1/2" | Steel |
| 85-127 | 2-1/8" | 1" | 1/2" | Steel |
| 85-131 | 2" | 7/8" | 1/2" | Steel |
| 85-135 | 1-5/16" | 1-1/16" | 1/2" | Synthetic |

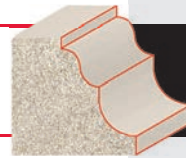


85-101



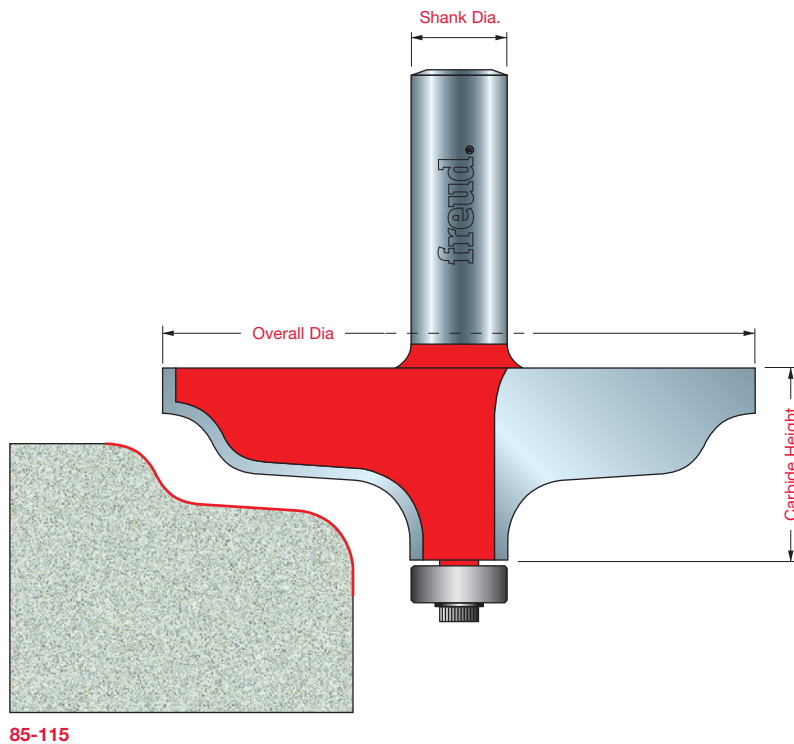
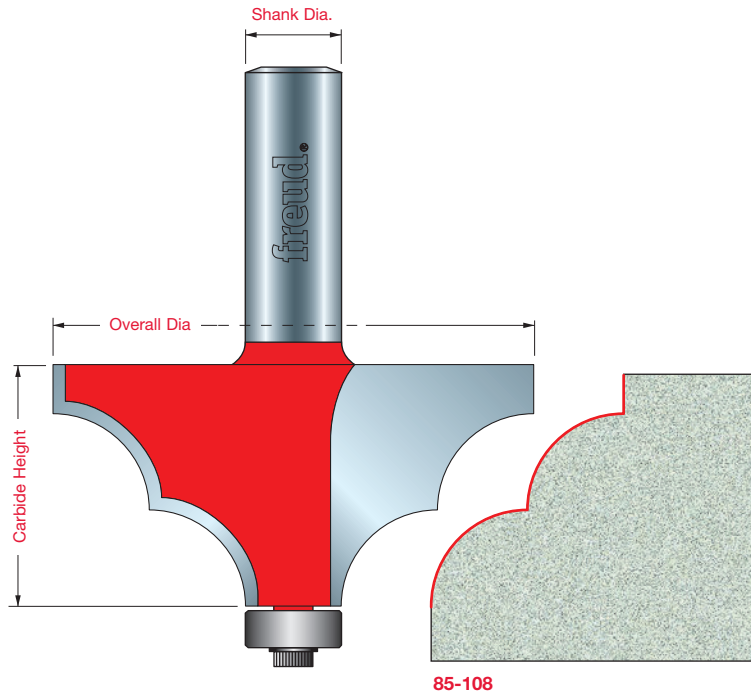
85-105

Solid Surface Edge Profile Bits



SOLID SURFACE BITS

CONTINUED



USE IN



Hand Router

APPLICATION

Decorative edges on all solid surface tops. Specially formulated carbide is ideal for fabricating solid surface materials.

ROUTER BITS

SOLID SURFACE BITS



Solid Surface Edge Profile Bits

CONTINUED

USE IN

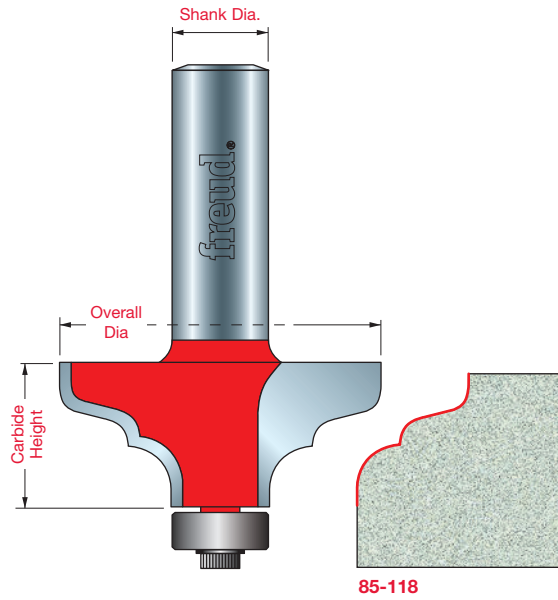


Hand Router

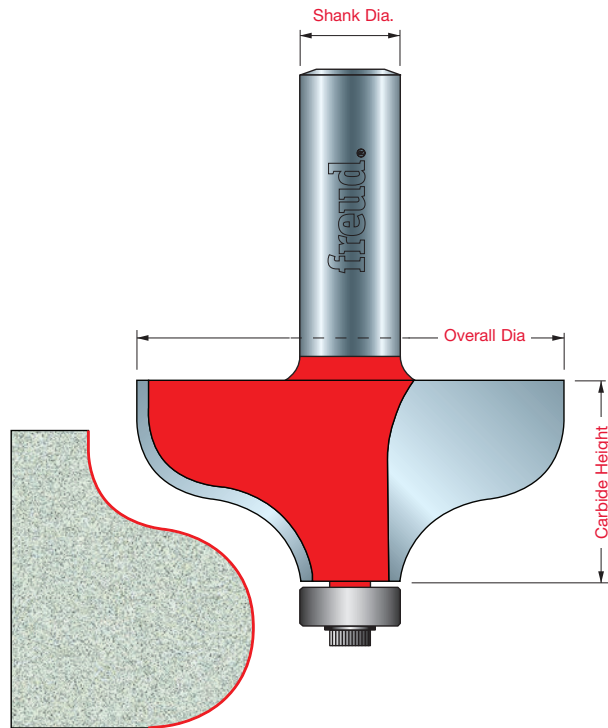
APPLICATION

Decorative edges on all solid surface tops. Specially formulated carbide is ideal for fabricating solid surface materials.

ROUTER BITS

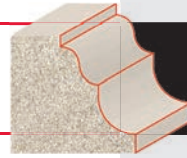


85-118



85-127
(Profile shown requires two passes)

Solid Surface Edge Profile Bits



SOLID SURFACE BITS

CONTINUED

USE IN

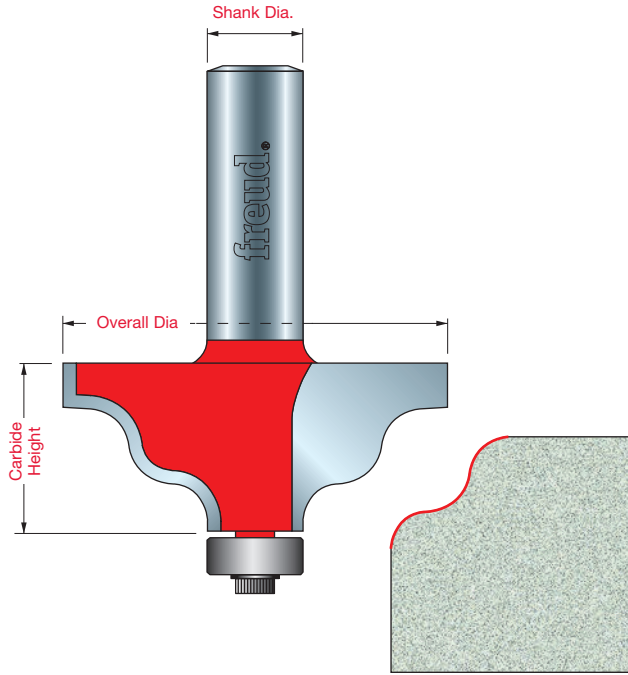


Hand Router

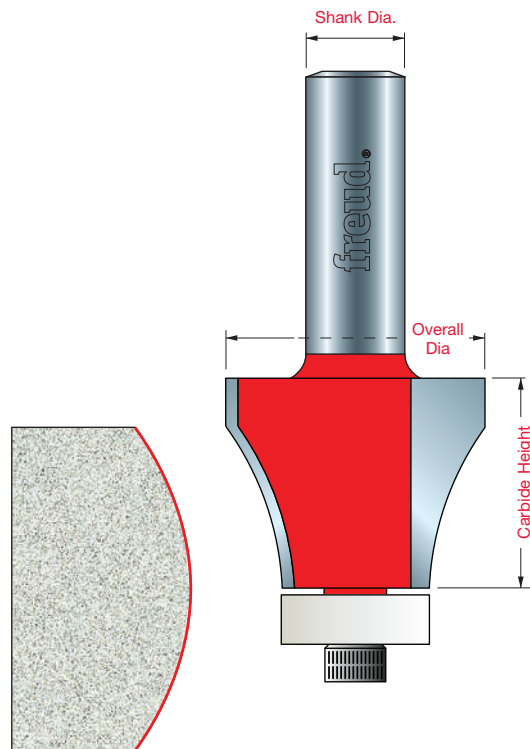
APPLICATION

Decorative edges on all solid surface tops. Specially formulated carbide is ideal for fabricating solid surface materials.

ROUTER BITS



85-131



85-135
(Profile shown
requires two passes)

DOOR & WINDOW BITS



Window Sash & Rail Bits

USE IN



Table Router

APPLICATION

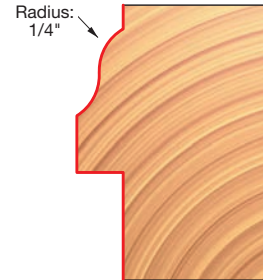
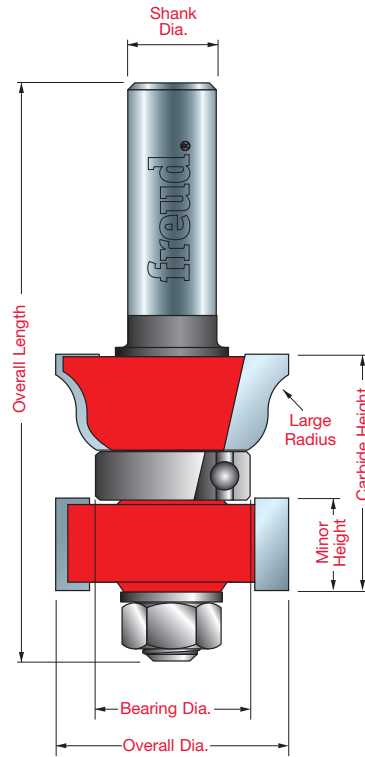
Two bits work together to produce a complete divided lite sash. 99-050 copes the rails, sash bars and muntins, while 99-051 cuts the profile on all components. Includes instruction manual.

MATERIALS

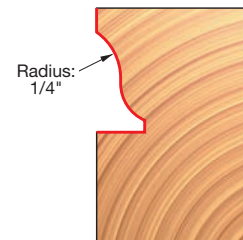
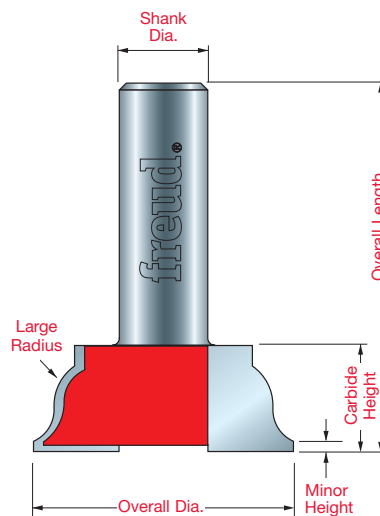


ROUTER BITS

| ITEM NUMBER | OVERALL DIA. | BEARING DIA. | CARBIDE HEIGHT | MINOR HEIGHT | LARGE RADIUS | SHANK DIA. | OVERALL LENGTH |
|-------------|--------------|--------------|----------------|--------------|--------------|------------|----------------|
| 99-051 | 1-11/32" | 22mm | 1-25/64" | 17/32" | 1/4" | 1/2" | 3-7/16" |
| 99-050 | 1-1/2" | - | 39/64" | 1/16" | 1/4" | 1/2" | 2-1/16" |

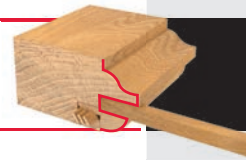


99-051



99-050

Glass Panel Cabinet Door Bit Set



DOOR & WINDOW BITS

| ITEM NUMBER | OVERALL DIA. | BEARING DIA. | CARBIDE HEIGHT | LARGE RADIUS | SMALL RADIUS | SHANK DIA. | OVERALL LENGTH |
|-------------|--------------|--------------|----------------|--------------|--------------|------------|----------------|
| 99-286 | 2" | 16mm | 1-3/32" | 7/32" | 11/64" | 1/2" | 3-1/8" |

Glass Panel Molding Spline

| ITEM NUMBER | COLOR | ROLL LENGTH |
|-------------|--------------------------|-------------|
| GM005 | Fruitwood (medium brown) | 25' |

USE IN



Table Router

APPLICATION

Creates top quality strong, tight-fitting glass panel door joints with ease and accuracy. Extra strong rail and stile joints with a unique lock in the stile and rail joint, plus significantly more gluing surface. Easy time saving set-up improves accuracy and increases profitability for the professional.

MATERIALS



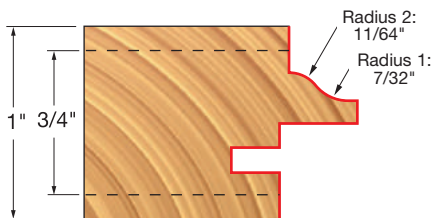
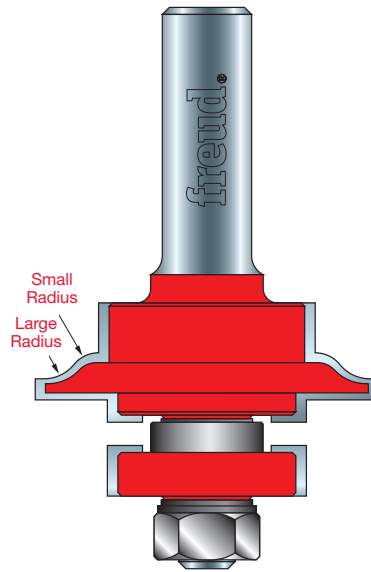
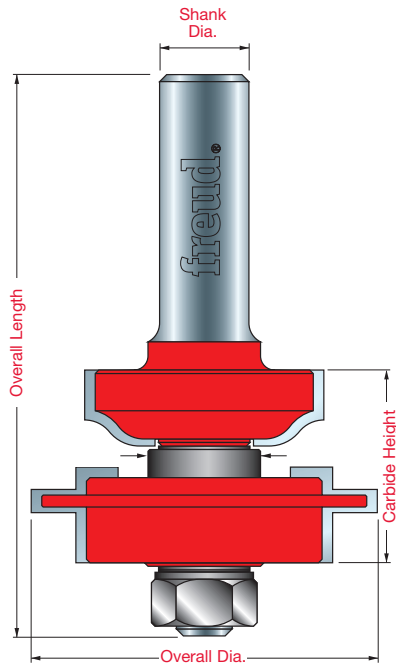
Hardwood

Softwood

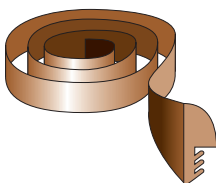
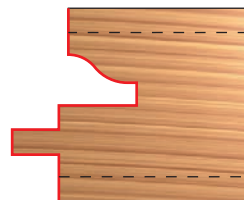
MDF

Plywood

ROUTER BITS



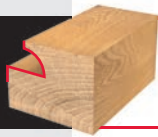
99-286



1/8" (0.125") Glass



DOOR & WINDOW BITS



Recoverable Bead Glass Door Bit Sets

USE IN



Table Router

APPLICATION

Creates glass doors that look equally good from the front and back. Each bit produces a unique profile on the front of the door and a matching profile on the back that can be removed with a 1/8" kerf saw blade, then miter cut to make a bead to secure the glass panel.

MATERIALS



Hardwood

Softwood

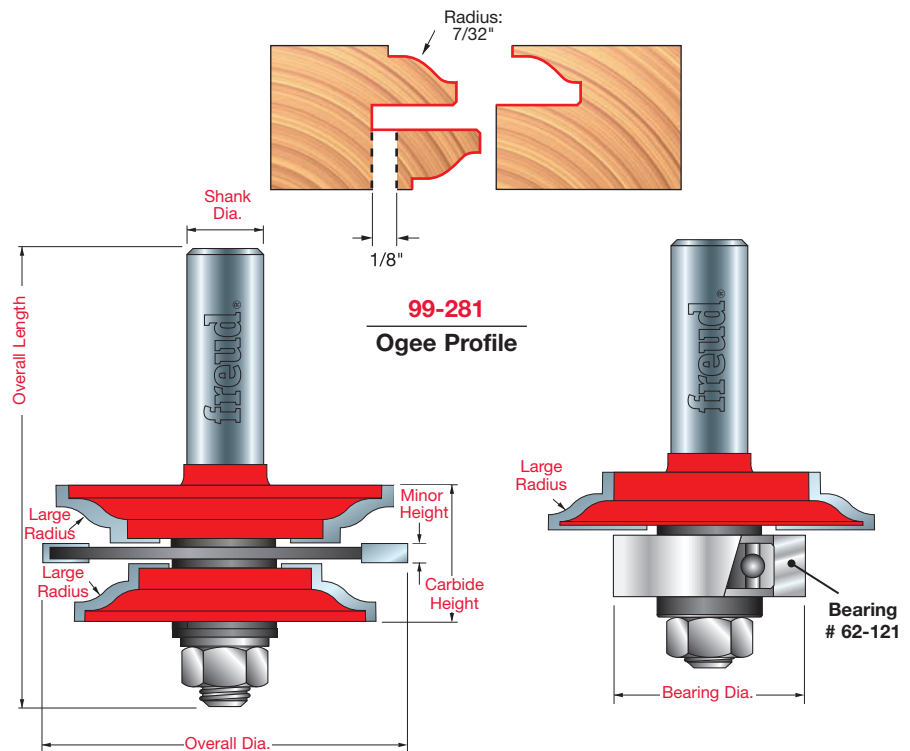
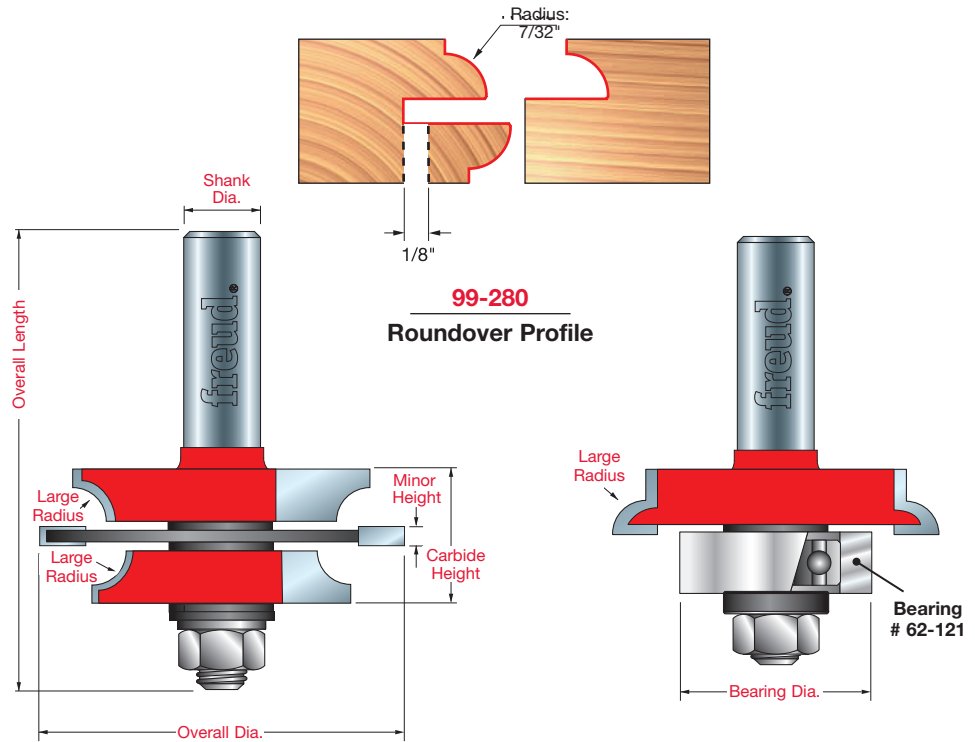
MDF

Plywood

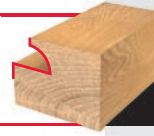
ROUTER BITS

| ITEM NUMBER | OVERALL DIA. | BEARING DIA. | CARBIDE HEIGHT | MINOR HEIGHT | LARGE RADIUS | SHANK DIA. | OVERALL LENGTH |
|-------------|--------------|--------------|----------------|--------------|--------------|------------|----------------|
| 99-280 | 2-3/8" | 1-1/4" | 7/8" | 1/8" | 7/32" | 1/2" | 3" |
| 99-281 | 2-3/8" | 1-1/4" | 7/8" | 1/8" | 7/32" | 1/2" | 3" |
| 99-283 | 2-3/8" | 1-1/4" | 7/8" | 1/8" | 15/64" | 1/2" | 3" |

For bearing replacement, use specialty sleeve bearing item # 62-121

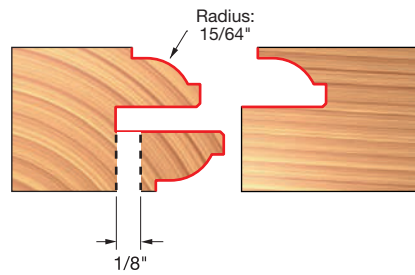


Recoverable Bead Glass Door Bit Sets

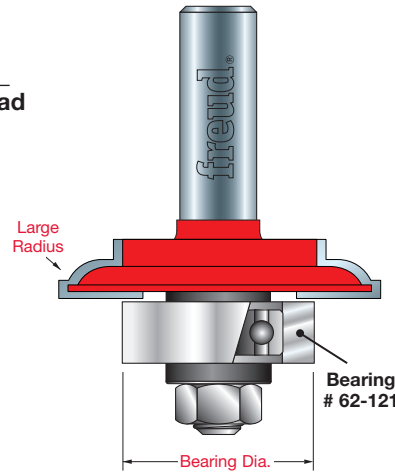
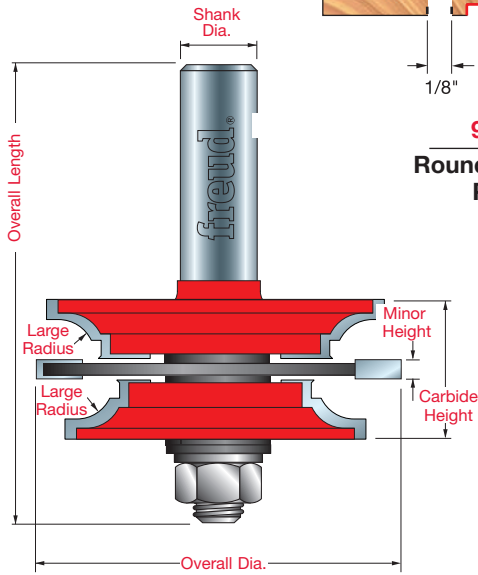


DOOR & WINDOW BITS

CONTINUED



99-283
Roundover Bead Profile



USE IN



Table Router

APPLICATION

Creates glass doors that look equally good from the front and back. Each bit produces a unique profile on the front of the door and a matching profile on the back that can be removed with a 1/8" kerf saw blade, then miter cut to make a bead to secure the glass panel.

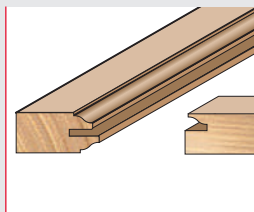
MATERIALS



ROUTER BITS

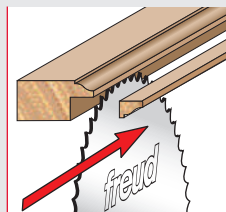
STEPS TO PERFECT GLASS CABINET DOORS

1



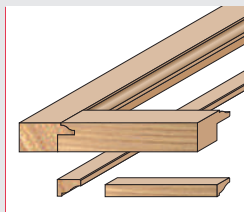
Cut profiles on stiles and rails using the Freud Recoverable Bead Glass Door Bit Set

2



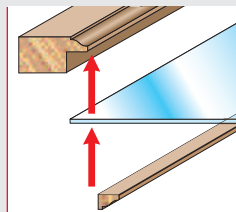
Remove beads with 1/8" kerf saw blade (10" Freud LM72 or LM74 Series recommended)

3



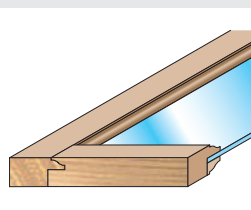
Assemble stiles and rails. Miter cut beads to size

4



Install 1/8" glass and secure with beads

5



Now you have cabinet doors that look as good open as they do closed

DOOR & WINDOW BITS



Divided Lite Cabinet Door Bit Set

USE IN



Table Router

APPLICATION

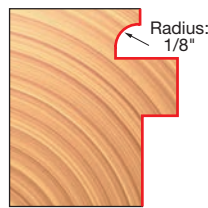
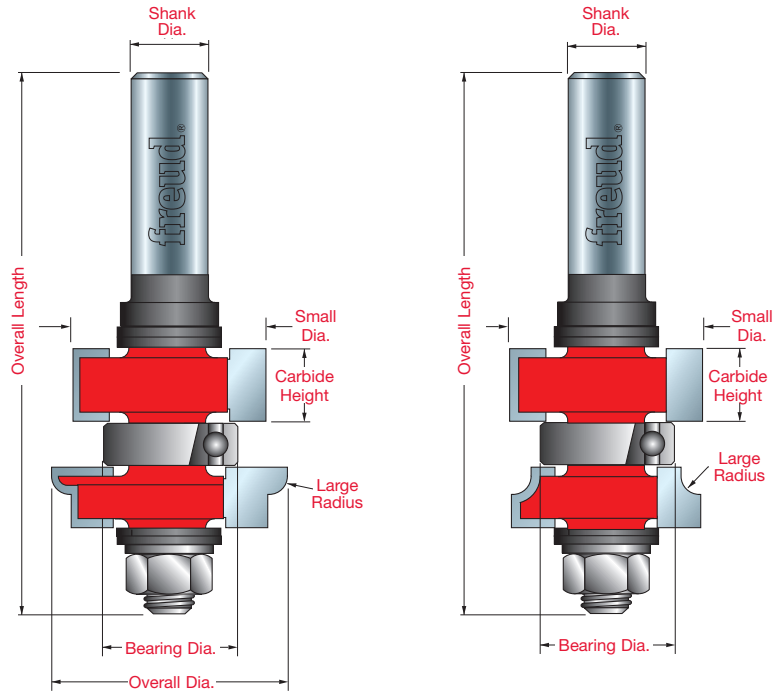
Build beautiful glass panel doors with classic multiple pane styling. The perfectly matched bits mill profiles for stiles, rails, mullions and muntins that allow you to build strong mortise and tenon joints.

MATERIALS

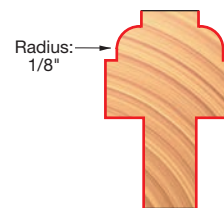


ROUTER BITS

| ITEM NUMBER | OVERALL DIA. | BEARING DIA. | SMALL DIA. | CARBIDE HEIGHT | LARGE RADIUS | SHANK DIA. | OVERALL LENGTH |
|-------------|--------------|--------------|------------|----------------|--------------|------------|----------------|
| 99-270 | 1-17/32" | 22mm | 1-1/4" | 1-1/8" | 1/8" | 1/2" | 3-7/16" |



99-270



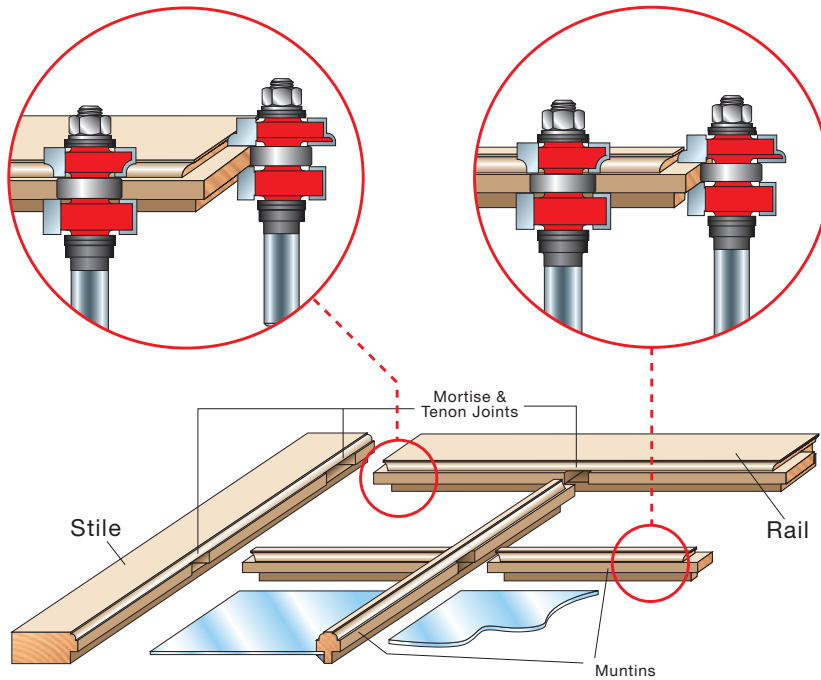
99-270

Divided Lite Cabinet Door Bit Set



DOOR & WINDOW BITS

CONTINUED



USE IN



Table Router

APPLICATION

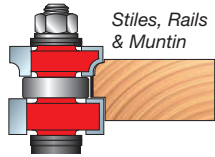
Build beautiful glass panel doors with classic multiple pane styling. The perfectly matched bits mill profiles for stiles, rails, mullions and muntins that allow you to build strong mortise and tenon joints.

MATERIALS




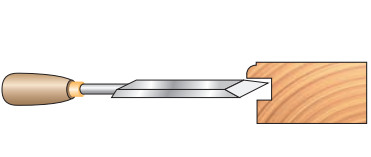
ROUTER BITS

STEPS TO PRODUCE A DIVIDED LITE DOOR

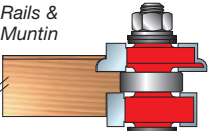
- 1** 

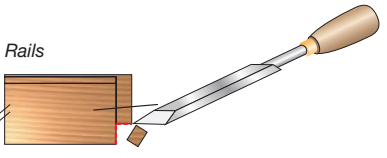
Rout bead profile

2 


Drill starter hole for mortise
- 3** 

Chisel out drilled holes to complete mortise

4 

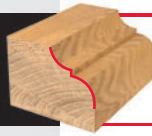
Rout Cope profile
- 5** 

Trim tenon width (rails only) to match mortise in stiles

6 

Fit the mortise and tenon cuts together

DOOR & WINDOW BITS



Rail & Stile Profile Bits

USE IN



Table Router Hand Router

APPLICATION

Creates rail and stile doors matched reverse profiles. 99-060 and 99-061 bits cope and stick cut the rails and stiles, and also can be used alone to form a matching edge profile. 99-062 cuts the panel slot and the back of the tongue on the coped piece.

MATERIALS



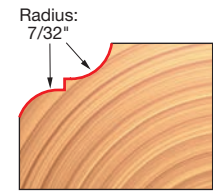
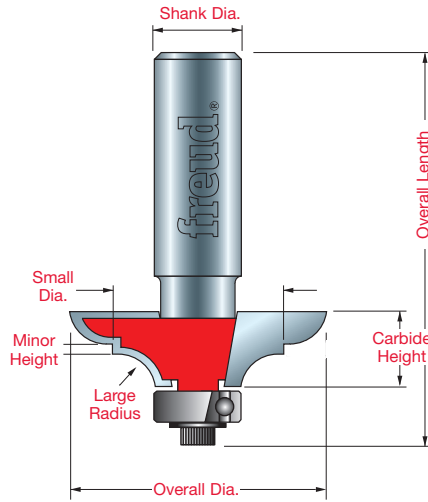
Hardwood Softwood



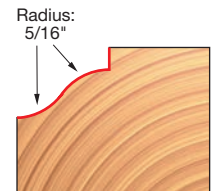
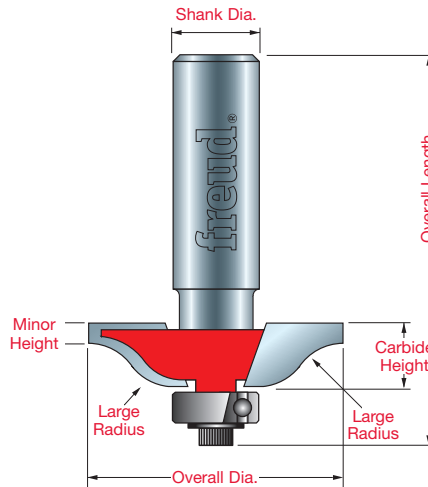
MDF

ROUTER BITS

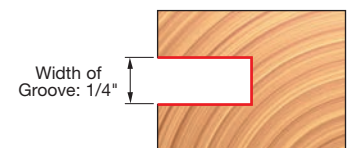
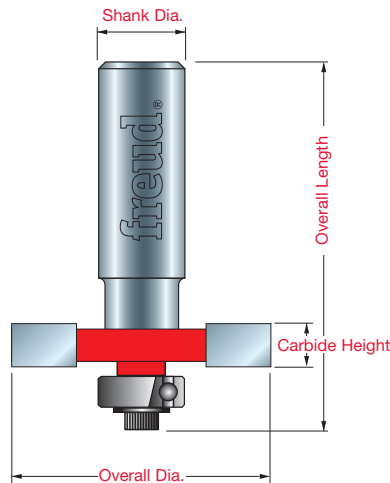
| ITEM NUMBER | OVERALL DIA. | SMALL DIA. | CARBIDE HEIGHT | MINOR HEIGHT | LARGE RADIUS | SHANK DIA. | OVERALL LENGTH |
|-------------|--------------|------------|----------------|--------------|--------------|------------|----------------|
| 99-060 | 1-1/2" | 1" | 7/16" | 1/16" | 7/32" | 1/2" | 2-1/4" |
| 99-061 | 1-1/2" | - | 3/8" | 1/8" | 5/16" | 1/2" | 2-1/4" |
| 99-062 | 1-1/2" | - | 1/4" | - | - | 1/2" | 2-1/8" |



99-060



99-061



99-062

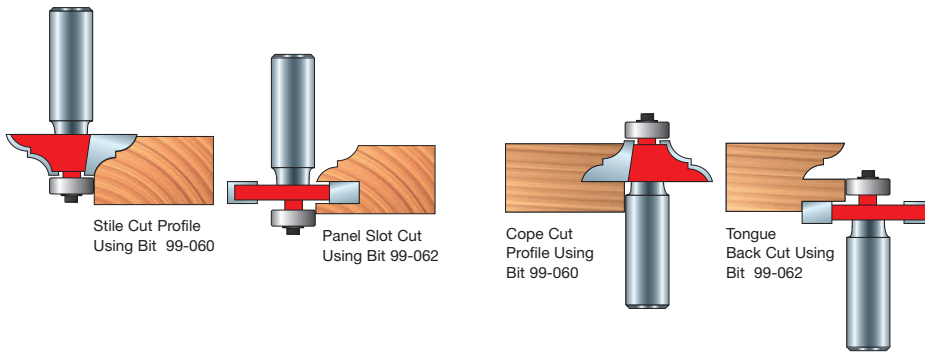
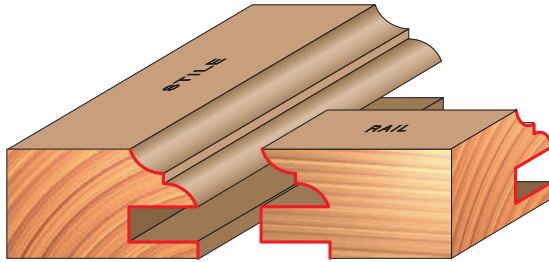
Rail & Stile Profile Bits



DOOR & WINDOW BITS

CONTINUED

99-060 & 99-062



USE IN



Table Router Hand Router

APPLICATION

Creates rail and stile doors matched reverse profiles. 99-060 and 99-061 bits cope and stick cut the rails and stiles, and also can be used alone to form a matching edge profile. 99-062 cuts the panel slot and the back of the tongue on the coped piece.

MATERIALS



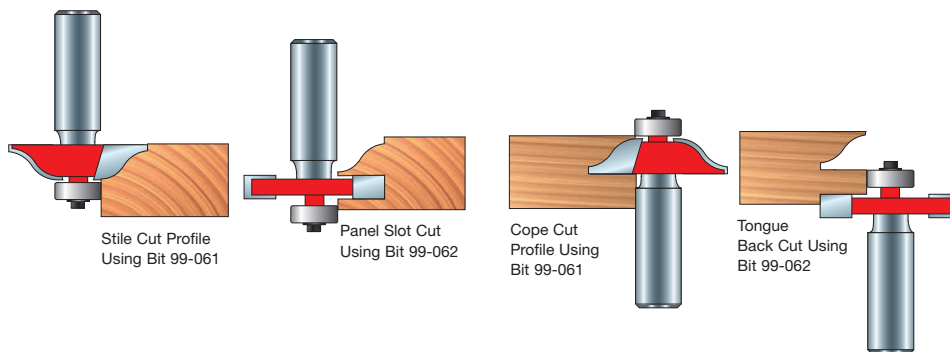
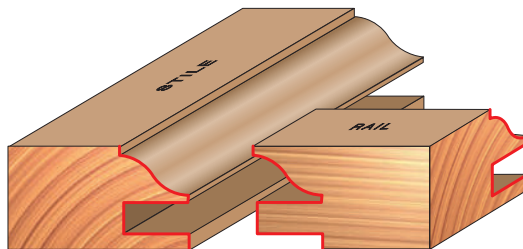
Hardwood

Softwood

MDF

ROUTER BITS

99-061 & 99-062



DOOR & WINDOW BITS



Premier Adjustable Rail & Stile Bit Sets

USE IN

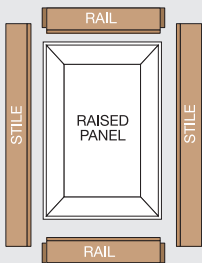


Table Router

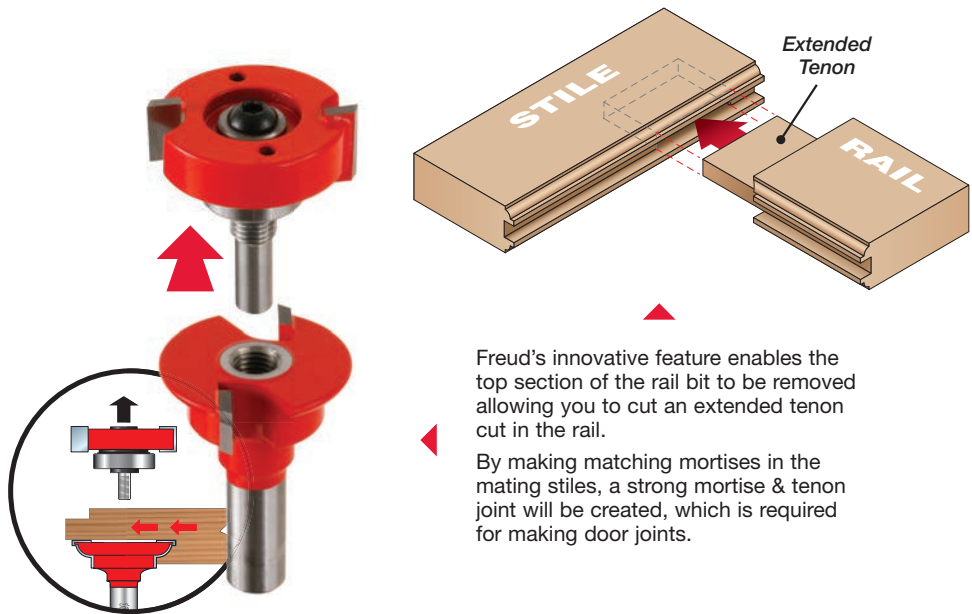
APPLICATION

Produces perfect fitting rail and stile doors from 5/8" to 1-1/4" stock. Create extended tenons for extra door joint strength (patented solution). Adjust groove width to suit different panel thicknesses for rattle free plywood panels or solid wood raised panels. Add an optional cutter to your bits to create glass panel or screen doors. Add multiple cutters to create double sided profiles in thicker stock material. Produce flawless raised panel doors when you combine these bits with one of Freud's Raised Panel Bits. Shims are included.

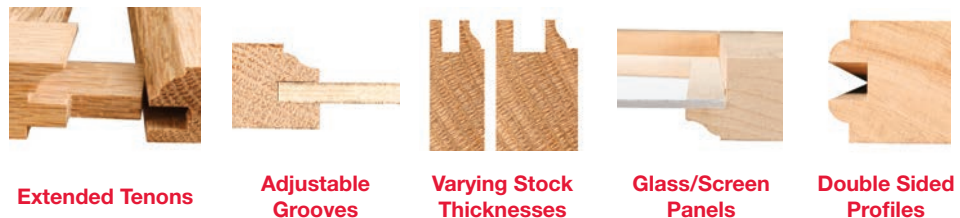
MATERIALS



| ITEM NUMBER | DESCRIPTION | OVERALL DIA. | LARGE RADIUS | SHANK DIA. | OVERALL LENGTH | PAGE NUMBER |
|---------------------------------------|-----------------|--------------|--------------|------------|----------------|-------------|
| 99-760 | Round Over | 1-11/16" | 7/32" | 1/2" | 3-3/4" | 214 |
| 99-761 | Ogee | 1-11/16" | 13/64" | 1/2" | 3-3/4" | 215 |
| 99-762 | Shaker (Bevel) | 1-11/16" | - | 1/2" | 3-3/4" | 216 |
| 99-763 | Round Over Bead | 1-11/16" | 9/32" | 1/2" | 3-5/8" | 217 |
| 99-764 | Bevel | 1-11/16" | - | 1/2" | 3-3/4" | 218 |
| Optional Double Sided Profile Cutters | | | | | | |
| 99-860 | Round Over | 1-11/16" | 7/32" | - | 3-13/16" | 214 |
| 99-861 | Ogee | 1-11/16" | 13/64" | - | 3-13/16" | 215 |
| 99-862 | Shaker (Bevel) | 1-11/16" | - | - | 3-13/16" | 216 |
| 99-863 | Round Over Bead | 1-11/16" | 9/32" | - | 3-13/16" | 217 |
| 99-864 | Bevel | 1-11/16" | - | - | 3-13/16" | 218 |
| Optional Glass/Screen Panel Cutter | | | | | | |
| 54-760 | Flush Cutter | 1-11/16" | - | - | - | 214 |



THIS SYSTEM OFFERS UNMATCHED VERSATILITY IN CABINET DOOR MAKING WITH



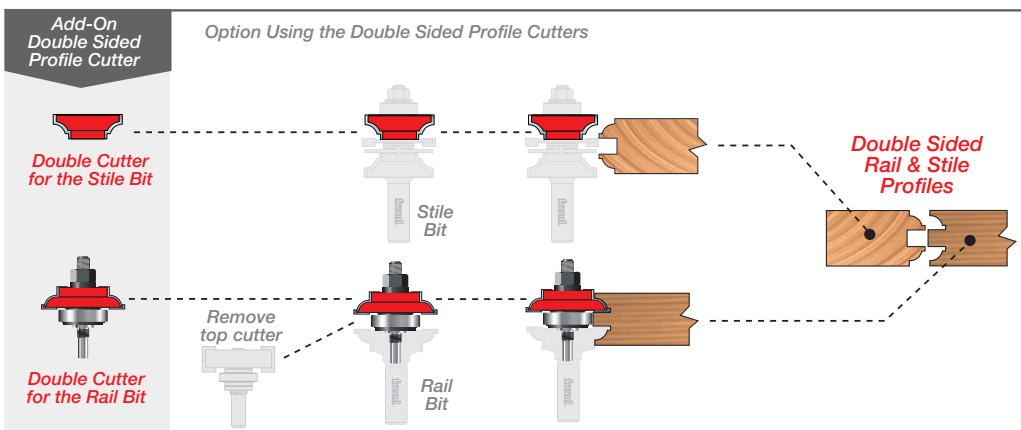
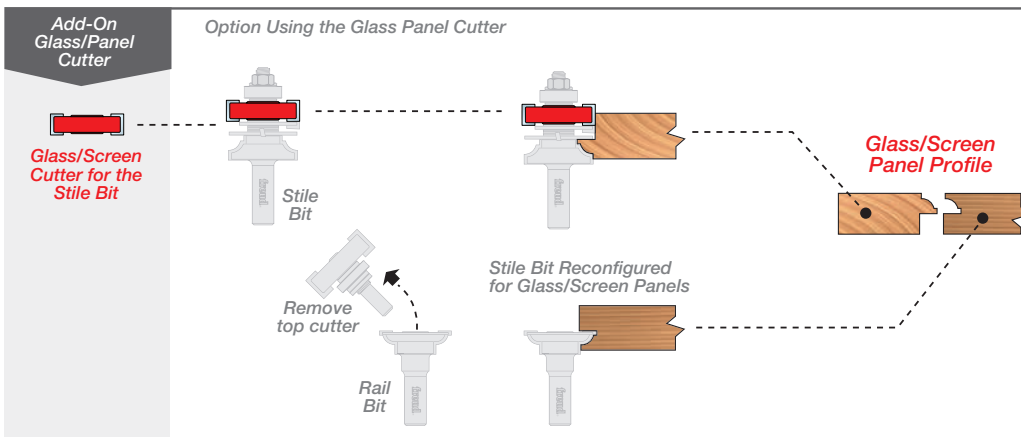
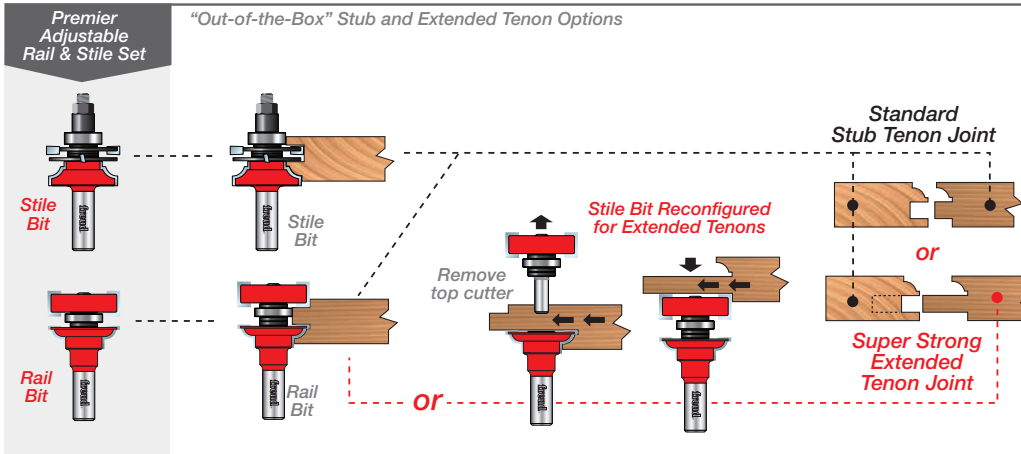
Premier Adjustable Rail & Stile Bit Sets



DOOR & WINDOW BITS

CONTINUED

Options



USE IN



Table Router

APPLICATION

Produces perfect fitting rail and stile doors from 5/8" to 1-1/4" stock. Create extended tenons for extra door joint strength (patented solution). Adjust groove width to suit different panel thicknesses for rattle free plywood panels or solid wood raised panels. Add an optional cutter to your bits to create glass panel or screen doors. Add multiple cutters to create double sided profiles in thicker stock material. Produce flawless raised panel doors when you combine these bits with one of Freud's Raised Panel Bits. Shims are included.

MATERIALS



ROUTER BITS

DOOR & WINDOW BITS



Premier Adjustable Rail & Stile Bit Sets

CONTINUED

USE IN



Table Router

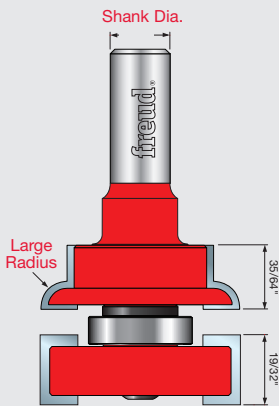
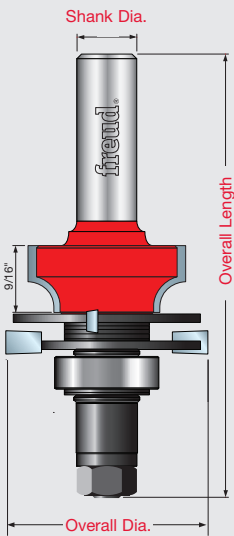
APPLICATION

Produces perfect fitting rail and stile doors from 5/8" to 1-1/4" stock

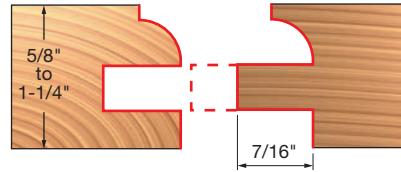
MATERIALS



ROUTER BITS



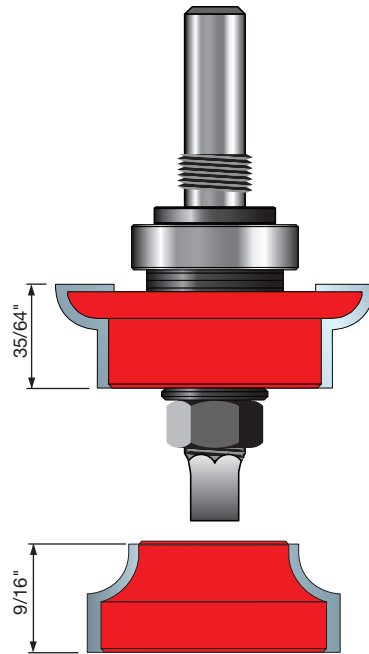
99-760 ROUND OVER



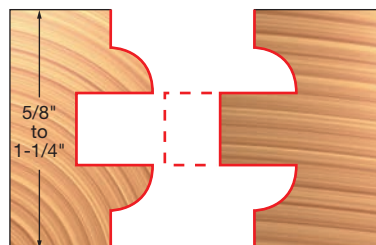
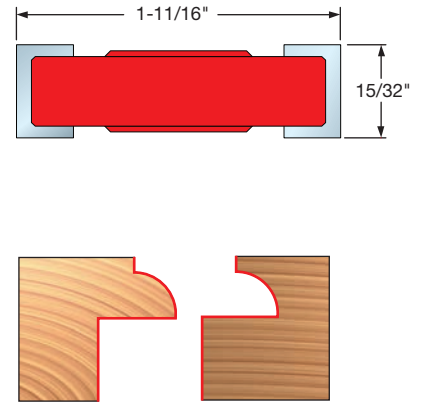
Stub & Extended Tenons

OPTIONAL CUTTER ADD-ONS

99-860 for creating double sided profiles



54-760 for creating glass/screen panel doors



Premier Adjustable Rail & Stile Bit Sets

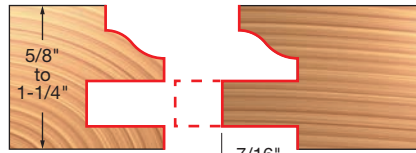


DOOR & WINDOW BITS

CONTINUED

99-761

OGEE

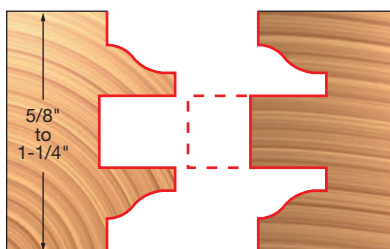
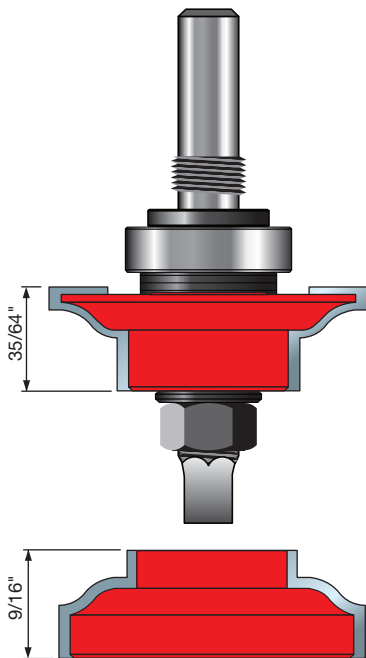


#9
Stub & Extended Tenons

OPTIONAL CUTTER ADD-ONS

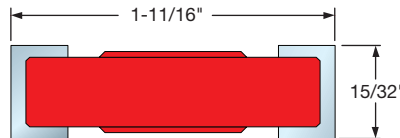
99-861

for creating
double sided profiles



54-760

for creating
glass/screen panel
doors



USE IN



Table Router

APPLICATION

Produces perfect fitting rail and stile doors from 5/8" to 1-1/4" stock

MATERIALS



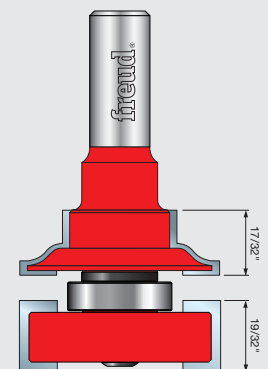
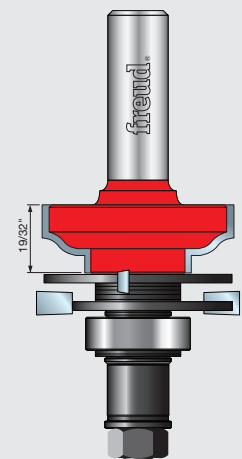
Hardwood

Softwood

MDF

Plywood

ROUTER BITS



DOOR & WINDOW BITS



Premier Adjustable Rail & Stile Bit Sets

CONTINUED

USE IN



Table Router

APPLICATION

Produces perfect fitting rail and stile doors from 5/8" to 1-1/4" stock

MATERIALS



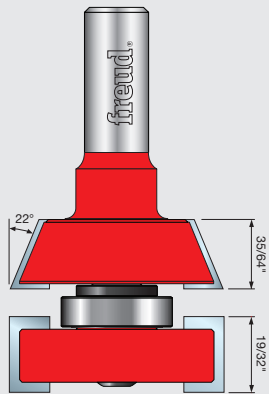
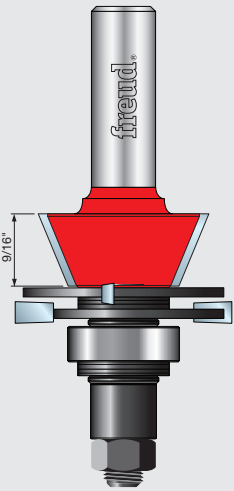
Hardwood

Softwood

MDF

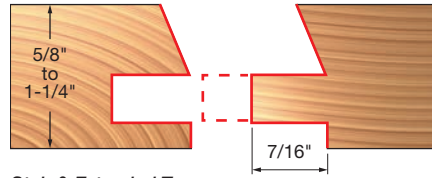
Plywood

ROUTER BITS



99-762

SHAKER

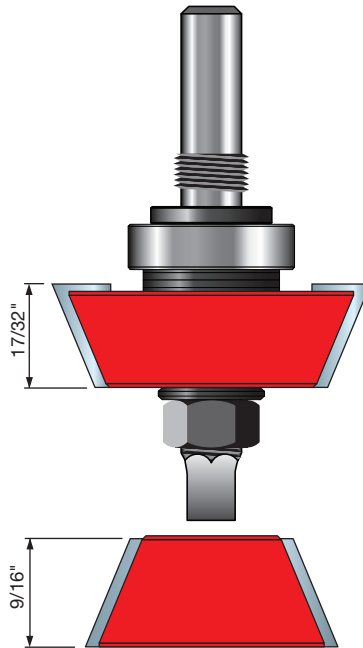


Stub & Extended Tenons

OPTIONAL CUTTER ADD-ONS

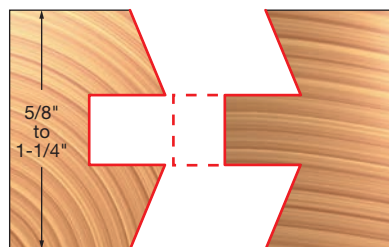
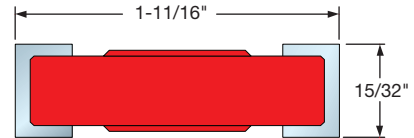
99-862

for creating double sided profiles



54-760

for creating glass/screen panel doors



Premier Adjustable Rail & Stile Bit Sets

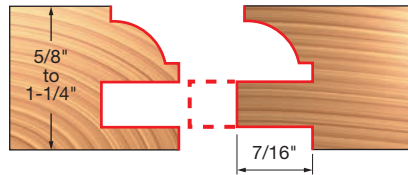


DOOR & WINDOW BITS

CONTINUED

99-763

ROUND OVER BEAD

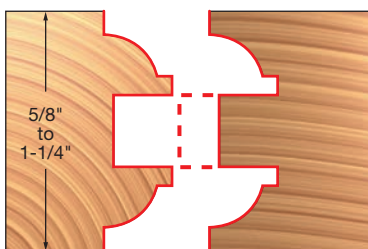
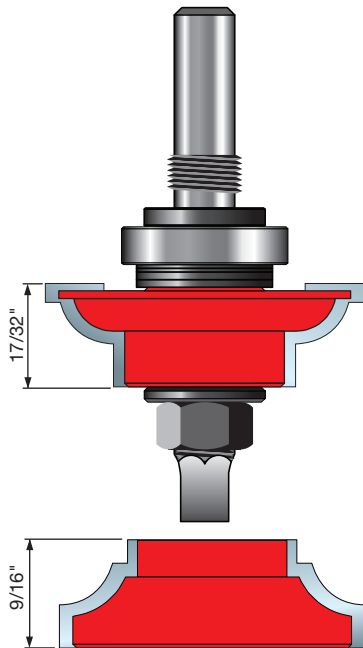


Stub & Extended Tenons

OPTIONAL CUTTER ADD-ONS

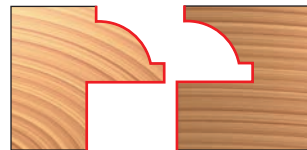
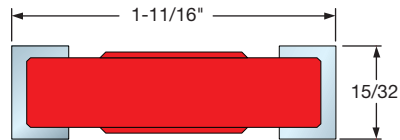
99-863

for creating double sided profiles



54-760

for creating glass/screen panel doors



USE IN



Table Router

APPLICATION

Produces perfect fitting rail and stile doors from 5/8" to 1-1/4" stock

MATERIALS



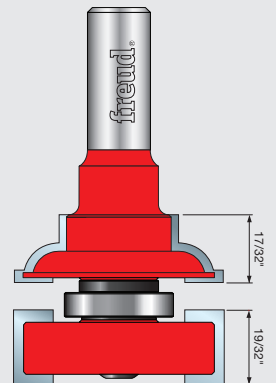
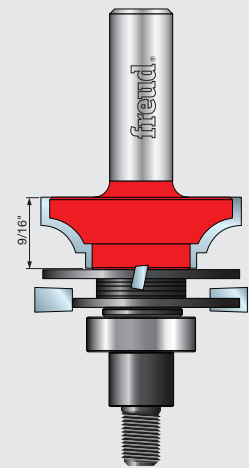
Hardwood

Softwood

MDF

Plywood

ROUTER BITS



DOOR & WINDOW BITS



Premier Adjustable Rail & Stile Bit Sets

CONTINUED

USE IN



Table Router

APPLICATION

Produces perfect fitting rail and stile doors from 5/8" to 1-1/4" stock

MATERIALS



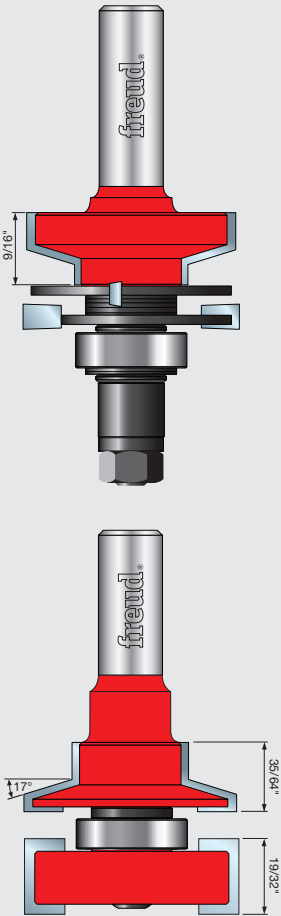
Hardwood

Softwood

MDF

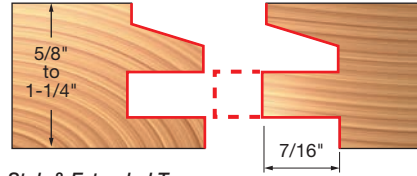
Plywood

ROUTER BITS



99-764

BEVEL

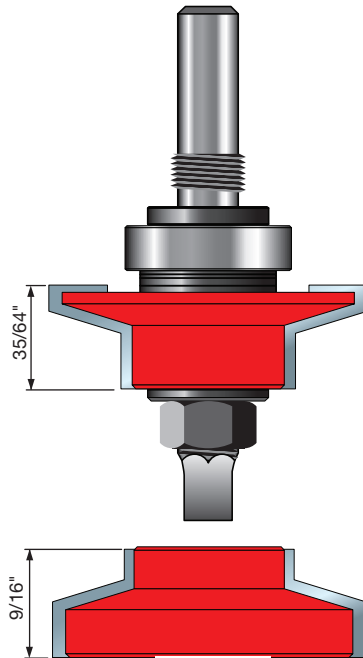


Stub & Extended Tenons

OPTIONAL CUTTER ADD-ONS

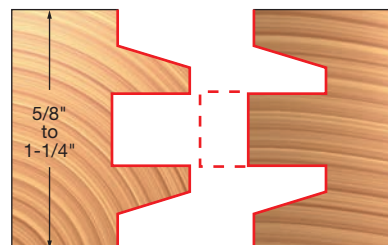
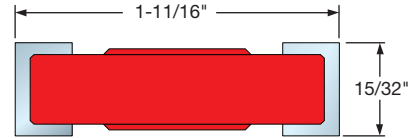
99-864

for creating double sided profiles



54-760

for creating glass/screen panel doors



One-Piece Rail & Stile Bits



DOOR & WINDOW BITS

| ITEM NUMBER | OVERALL DIA. | SMALL DIA. | CARBIDE HEIGHT | MINOR HEIGHT | LARGE RADIUS | SMALL RADIUS | SHANK DIA. | OVERALL LENGTH |
|-------------|--------------|------------|----------------|--------------|--------------|--------------|------------|----------------|
| 99-290 | 2" | 1-1/4" | 1-9/32" | 15/64" | 7/32" | - | 1/2" | 4-3/32" |
| 99-291 | 2" | 1-1/4" | 1-9/32" | 15/64" | 7/32" | 11/64" | 1/2" | 4-3/32" |
| 99-293 | 2" | 1-1/4" | 1-9/32" | 15/64" | 9/32" | - | 1/2" | 4-3/32" |

USE IN



Table Router

APPLICATION

An efficient method for creating beautiful cabinet doors without having to reconfigure or change cutters or fence settings. Cuts all frame members face down so variations in stock thickness are not a problem.

MATERIALS



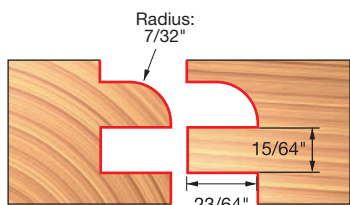
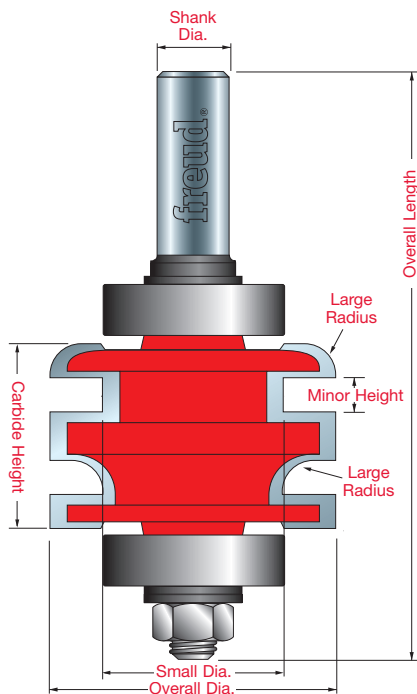
Hardwood

Softwood

MDF

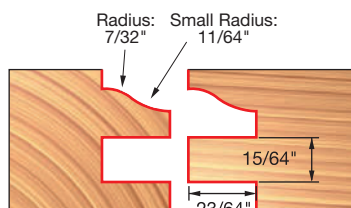
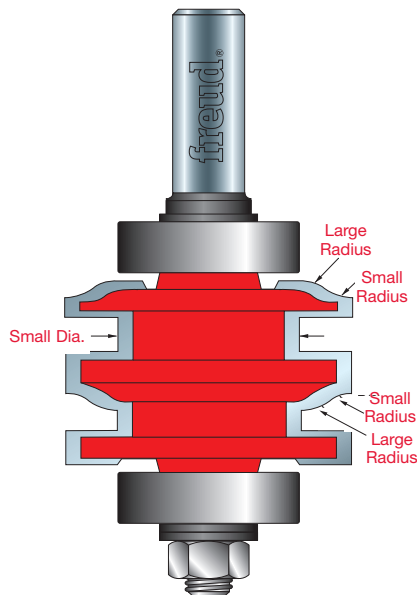
Plywood

ROUTER BITS



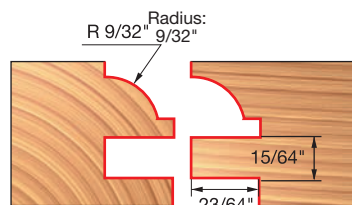
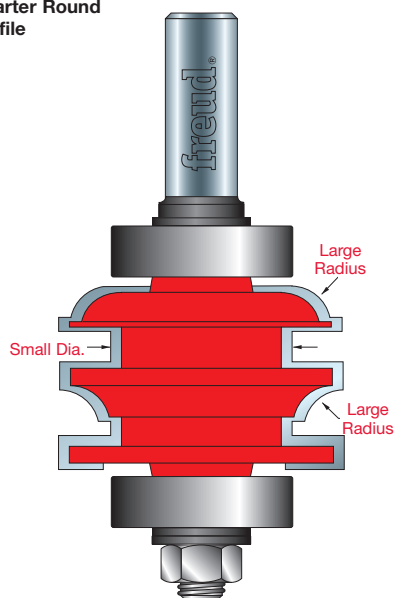
99-290

Quarter Round Profile



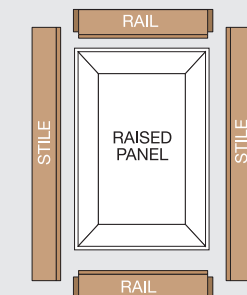
99-291

Ogee Profile

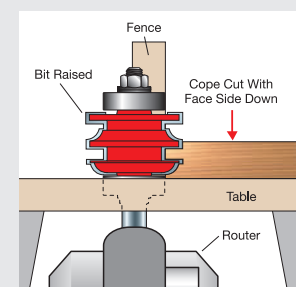
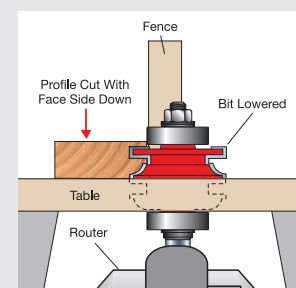


99-293

Classical Bead Profile



SET UP



DOOR & WINDOW BITS



Entry & Interior Door Router Bit System

USE IN



Table Router

APPLICATION

Build entry and interior doors with true mortise and tenon construction for rock-solid joints that last a lifetime. Comes fully assembled to mill perfect 1-3/4" rail and stile joints for exterior doors. To mill 1-3/8" interior door joints, simply remove the spacers from each bit. To mill a tenon of virtually any length, the top cutter and bearing of the rail bit is simply unscrewed from the lower cutter and shank from the router or changing the height of the cutter.

MATERIALS



Hardwood

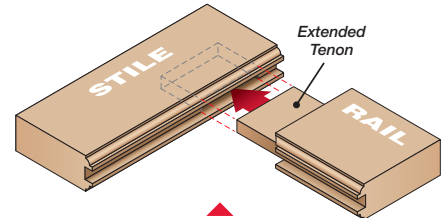
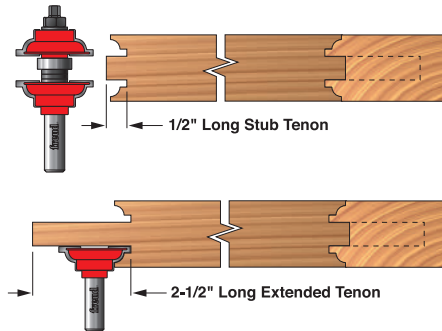
Softwood

MDF

Plywood

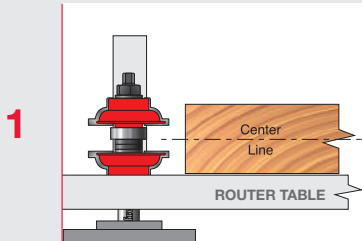


| ITEM NUMBER | PROFILE | OVERALL DIA. | BEARING DIA. | CARBIDE HEIGHT | SHANK DIA. | OVERALL LENGTH |
|--|-------------|--------------|--------------|----------------|------------|----------------|
| 2 Piece Entry & Interior Door Bit Sets For 1-3/8" & 1-3/4" Stock | | | | | | |
| 99-267 | Beading | 1-7/8" | 7/8" | 1-7/8" | 1/2" | 4-1/8" |
| 99-268 | Ogee | 1-7/8" | 7/8" | 1-7/8" | 1/2" | 4-1/8" |
| 99-269 | Cove & Bead | 1-7/8" | 7/8" | 1-7/8" | 1/2" | 4-1/8" |
| 2 Piece Entry & Interior Door Bit Set For 2" & 2-1/4" Thick Stock | | | | | | |
| 99-277 | Beading | 1-7/8" | 7/8" | 2-3/8" | 1/2" | 4-19/32" |

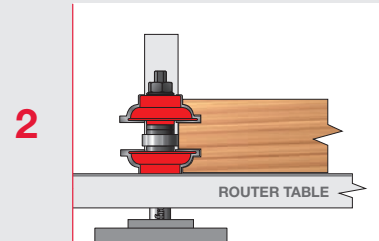


Freud's innovative feature enables the top section of the rail bit to be removed allowing you to cut an extended tenon cut in the rail. By making matching mortises in the mating stiles, a strong mortise & tenon joint will be created, which is required for making entry and interior door joints.

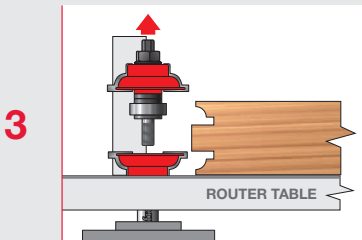
— STEPS TO CREATE RAIL & STILE JOINTS WITH EXTENDED TENONS —



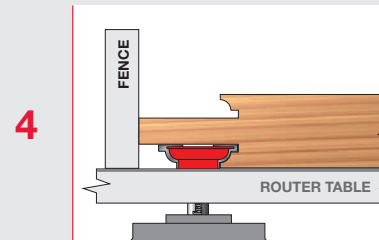
1 Install the rail bit and vertically center the bit with the stock.



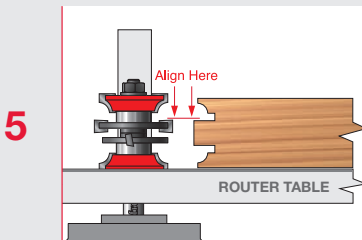
2 Rout the rail ends with stub tenons.



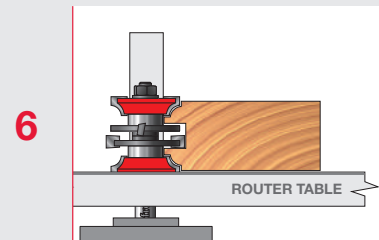
3 While leaving the rail bit in place, remove the top section of the router bit.



4 With the assistance of the fence, make several passes to create the extended tenon.



5 Install the stile cutter bit and align the top of the groove cutter to the top of the tongue of rail cut.



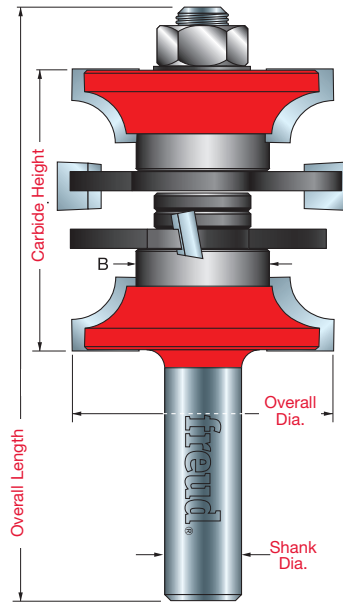
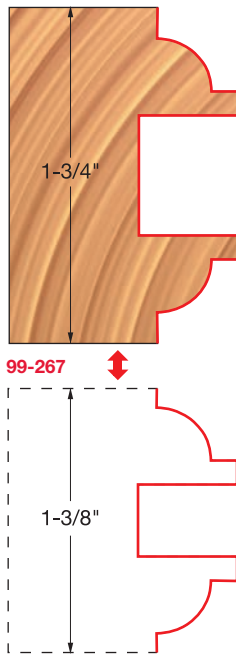
6 Using multiple passes, the stile cuts can now be made.

Entry & Interior Door Router Bit System



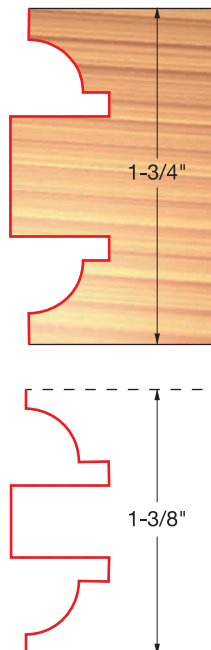
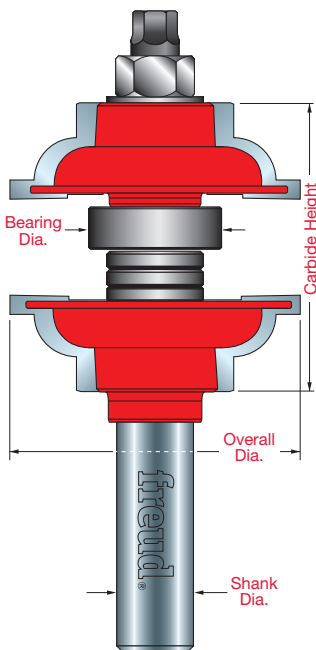
DOOR & WINDOW BITS

CONTINUED



99-267

BEADING



USE IN

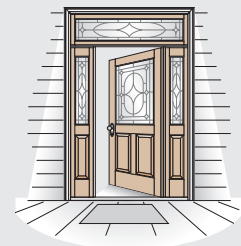


Table Router

APPLICATION

Build entry and interior doors with true mortise and tenon construction for rock-solid joints that last a lifetime. Comes fully assembled to mill perfect 1-3/4" rail and stile joints for exterior doors. To mill 1-3/8" interior door joints, simply remove the spacers from each bit. To mill a tenon of virtually any length: the top cutter and bearing of the rail bit is simply unscrewed from the lower cutter and shank, without removing the bit from the router or changing the height of the cutter.

MATERIALS



ROUTER BITS



CONTINUED

USE IN



Table Router

APPLICATION

Build entry and interior doors with true mortise and tenon construction for rock-solid joints that last a lifetime. Comes fully assembled to mill perfect 1-3/4" rail and stile joints for exterior doors. To mill 1-3/8" interior door joints, simply remove the spacers from each bit. To mill a tenon of virtually any length: the top cutter and bearing of the rail bit is simply unscrewed from the lower cutter and shank, without removing the bit from the router or changing the height of the cutter.

MATERIALS



Hardwood

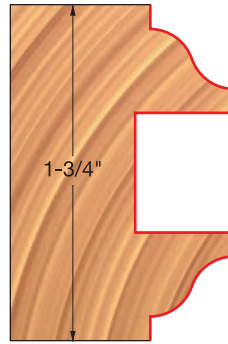
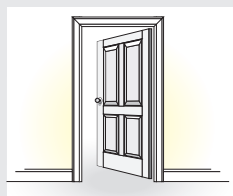
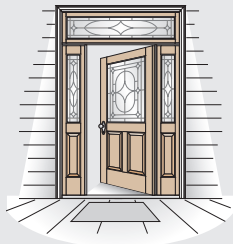
Softwood

MDF

Plywood

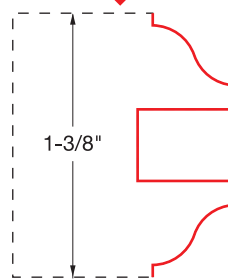


Bring "How-To" DVD-Video Inside
freud
 ENTRY DOORS MADE SIMPLE
 DVD-ROM
 The Exterior & Interior Door Connection
 Step-by-Step Instructions

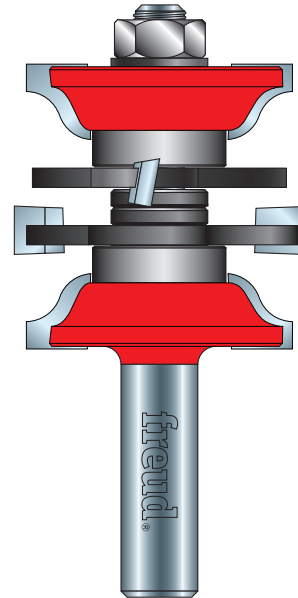


1-3/4"

99-268

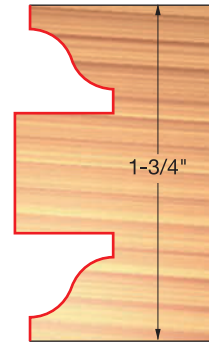
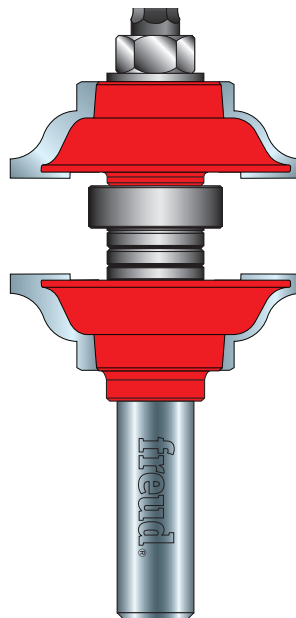


1-3/8"

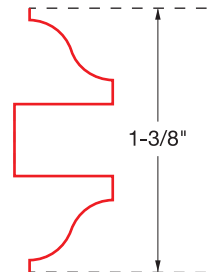


99-268

OGEE



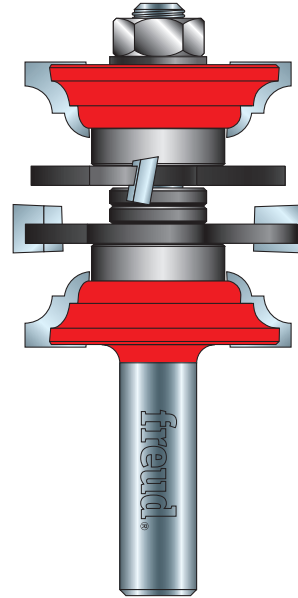
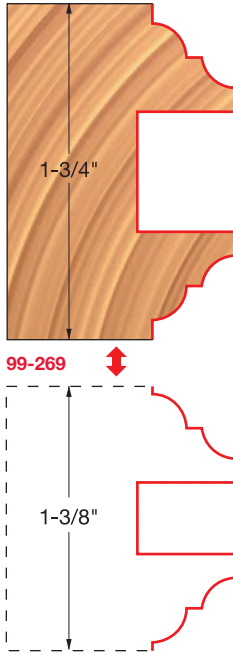
1-3/4"



1-3/8"

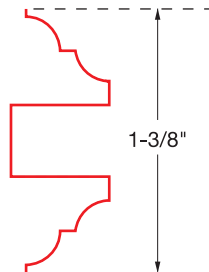
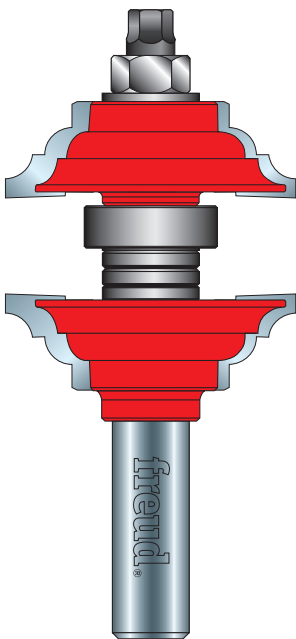


CONTINUED



99-269

COVE & BEAD



USE IN

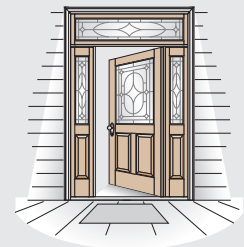


Table Router

APPLICATION

Build entry and interior doors with true mortise and tenon construction for rock-solid joints that last a lifetime. Comes fully assembled to mill perfect 1-3/4" rail and stile joints for exterior doors. To mill 1-3/8" interior door joints, simply remove the spacers from each bit. To mill a tenon of virtually any length: the top cutter and bearing of the rail bit is simply unscrewed from the lower cutter and shank, without removing the bit from the router or changing the height of the cutter.

MATERIALS



ROUTER BITS

DOOR & WINDOW BITS



Entry & Interior Door Router Bit System

USE IN



Table Router

APPLICATION

Build entry and interior doors with true mortise and tenon construction for rock-solid joints that last a lifetime. Comes fully assembled to mill perfect 1-3/4" rail and stile joints for exterior doors. To mill 1-3/8" interior door joints, simply remove the spacers from each bit. To mill a tenon of virtually any length: the top cutter and bearing of the rail bit is simply unscrewed from the lower cutter and shank, without removing the bit from the router or changing the height of the cutter.

MATERIALS



Hardwood

Softwood

MDF

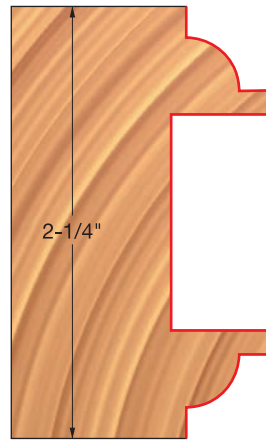
Plywood



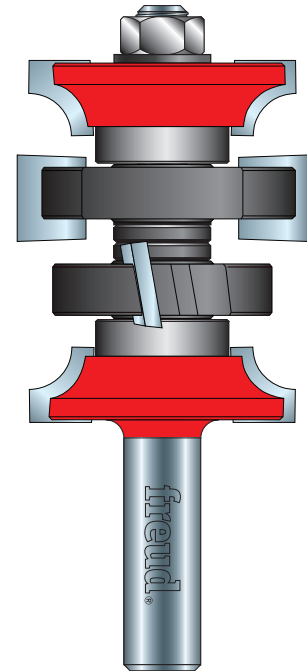
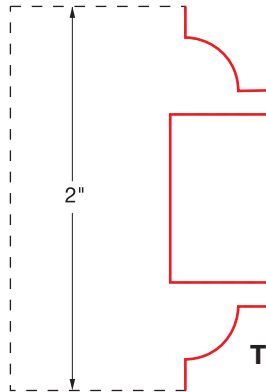
Bonus "How-To" DVD-Video Inside
 ENTRY DOORS MADE SIMPLE
 freud
 DVD-ROM
 Step-by-Step Instructions



CONTINUED

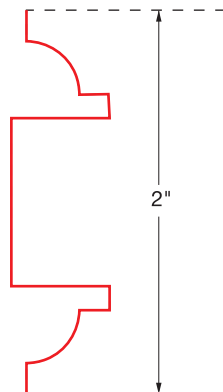
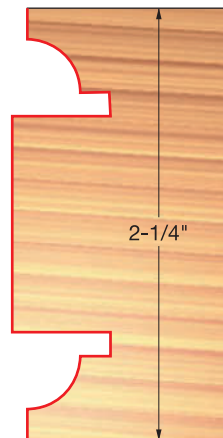
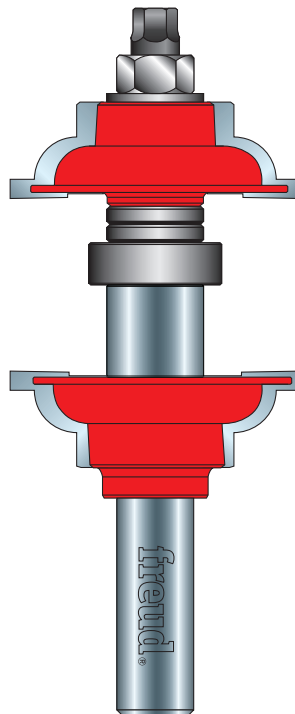


99-277



99-277

THICK STOCK BEADING
 UP TO 2-1/4" THICK



3-Piece French Door Bit Set

DOOR & WINDOW BITS

| BIT TYPE | ITEM NO. | OVERALL DIA. | CARBIDE HEIGHT | SHANK DIA. | OVERALL LENGTH |
|---------------------------|----------|--------------|----------------|------------|----------------|
| Item Number 98-307 | | | | | |
| Stile Bit, Roundover | 99-367 | 1-7/8" | 1-7/8" | 1/2" | 3-7/8" |
| Rail Bit, Roundover | 99-367 | 1-7/8" | 19/32" | 1/2" | 2-1/4" |
| Mortising Bit | 16-120 | 22mm | 1-1/2" | 1/2" | 3" |
| Item Number 98-308 | | | | | |
| Stile Bit, Ogee | 99-368 | 1-7/8" | 1-7/8" | 1/2" | 3-7/8" |
| Rail Bit, Ogee | 99-368 | 1-7/8" | 19/32" | 1/2" | 2-1/4" |
| Mortising Bit | 16-120 | 22mm | 1-1/2" | 1/2" | 3" |
| Item Number 98-309 | | | | | |
| Stile Bit, Cove & Bead | 99-369 | 1-7/8" | 1-7/8" | 1/2" | 3-7/8" |
| Rail Bit, Cove & Bead | 99-369 | 1-7/8" | 19/32" | 1/2" | 2-1/4" |
| Mortising Bit | 16-120 | 22mm | 1-1/2" | 1/2" | 3" |

USE IN



Table Router

APPLICATION

Precise shear and hook angles for smooth finishes and end of bit relief for fast plunging in general stock removal

MATERIALS



Hardwood



Softwood



MDF



Plywood



98-307



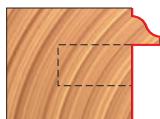
16-120
Mortising Bit



99-367
Rail Bit



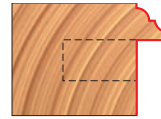
99-367
Stile Bit



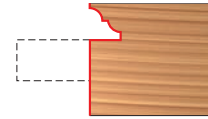
99-368
Rail Bit



99-368
Stile Bit



99-369
Rail Bit



99-369
Stile Bit

DOOR & WINDOW BITS



5-Piece French Door Bit Set

USE IN



Table Router

APPLICATION

Create custom Full Lite, Simulated Divided Lite and True Divided Lite French Doors in any size, and with any wood species you choose. Unique design allows woodworkers to produce tenons of any length for extra-strong joints. Perfectly matched bits are designed to produce 1-3/4" thick exterior or 1-3/8" interior doors. Sets are offered in Roundover, Ogee, and Cove & Bead profiles. Perfect for milling fine hardwoods and softwoods, and also produces an excellent cut in other materials. Includes an instructional informative poster.

MATERIALS



Hardwood

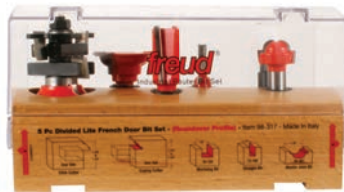
Softwood

MDF

Plywood



| BIT TYPE | ITEM NO. | OVERALL DIA. | CARBIDE HEIGHT | SHANK DIA. | OVERALL LENGTH |
|-------------------------------|----------|--------------|----------------|------------|----------------|
| Item Number 98-317 | | | | | |
| Stile Bit, Roundover | 99-367 | 1-7/8" | 1-7/8" | 1/2" | 3-7/8" |
| Rail Bit, Roundover | 99-367 | 1-7/8" | 19/32" | 1/2" | 2-1/4" |
| Mortising Bit | 16-120 | 22mm | 1-1/2" | 1/2" | 3" |
| Intersection Bit, Roundover | 39-367 | 1-1/8" | 5/8" | 1/2" | 2-1/2" |
| Straight Bit | 12-100 | 1/4" | 3/4" | 1/2" | 2-3/8" |
| Item Number 98-318 | | | | | |
| Stile Bit, Ogee | 99-368 | 1-7/8" | 1-7/8" | 1/2" | 3-7/8" |
| Rail Bit, Ogee | 99-368 | 1-7/8" | 19/32" | 1/2" | 2-1/4" |
| Mortising Bit | 16-120 | 22mm | 1-1/2" | 1/2" | 3" |
| Intersection Bit, Ogee | 39-368 | 1-1/8" | 5/8" | 1/2" | 2-1/2" |
| Straight Bit | 12-100 | 1/4" | 3/4" | 1/2" | 2-3/8" |
| Item Number 98-319 | | | | | |
| Stile Bit, Cove & Bead | 99-369 | 1-7/8" | 1-7/8" | 1/2" | 3-7/8" |
| Rail Bit, Cove & Bead | 99-369 | 1-7/8" | 19/32" | 1/2" | 2-1/4" |
| Mortising Bit | 16-120 | 22mm | 1-1/2" | 1/2" | 3" |
| Intersection Bit, Cove & Bead | 39-369 | 1-1/8" | 5/8" | 1/2" | 2-1/2" |
| Straight Bit | 12-100 | 1/4" | 3/4" | 1/2" | 2-3/8" |



98-317



16-120
Mortising Bit



12-120
Straight Bit



39-367
Muntin Joint Bit



39-368
Muntin Joint Bit



39-369
Muntin Joint Bit



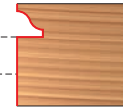
99-367
Rail Bit



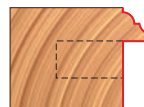
99-367
Stile Bit



99-368
Rail Bit



99-368
Stile Bit



99-369
Rail Bit



99-369
Stile Bit

2-Piece French Door Grill Set



DOOR & WINDOW BITS

| BIT TYPE | ITEM NO. | OVERALL DIA. | CARBIDE HEIGHT | SHANK DIA. | OVERALL LENGTH |
|-------------------------------|----------|--------------|----------------|------------|----------------|
| Item Number 98-327 | | | | | |
| Intersection Bit, Roundover | 39-367 | 1-1/8" | 5/8" | 1/2" | 2-1/2" |
| Straight Bit | 12-100 | 1/4" | 3/4" | 1/2" | 2-3/8" |
| Item Number 98-328 | | | | | |
| Intersection Bit, Ogee | 39-368 | 1-1/8" | 5/8" | 1/2" | 2-1/2" |
| Straight Bit | 12-100 | 1/4" | 3/4" | 1/2" | 2-3/8" |
| Item Number 98-329 | | | | | |
| Intersection Bit, Cove & Bead | 39-369 | 1-1/8" | 5/8" | 1/2" | 2-1/2" |
| Straight Bit | 12-100 | 1/4" | 3/4" | 1/2" | 2-3/8" |

USE IN



Table Router

APPLICATION

Create perfect joints in grills for simulated divided lite door construction. Bits match the profiles of French Door bit sets.

MATERIALS



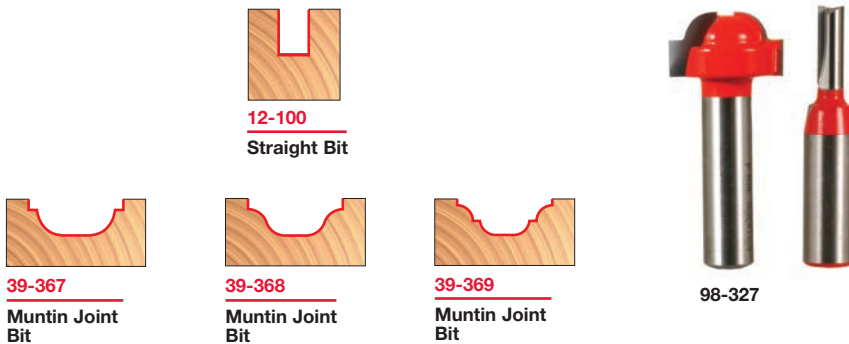
Hardwood

Softwood

MDF

Plywood

ROUTER BITS



12-100

Straight Bit

39-367

Muntin Joint Bit

39-368

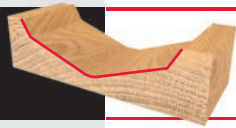
Muntin Joint Bit

39-369

Muntin Joint Bit

98-327

DOOR & WINDOW BITS



French Provincial Raised Panel Bit

USE IN



APPLICATION

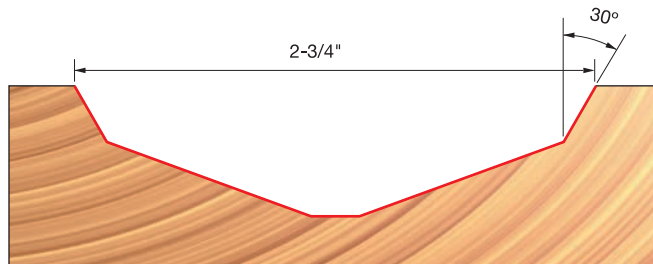
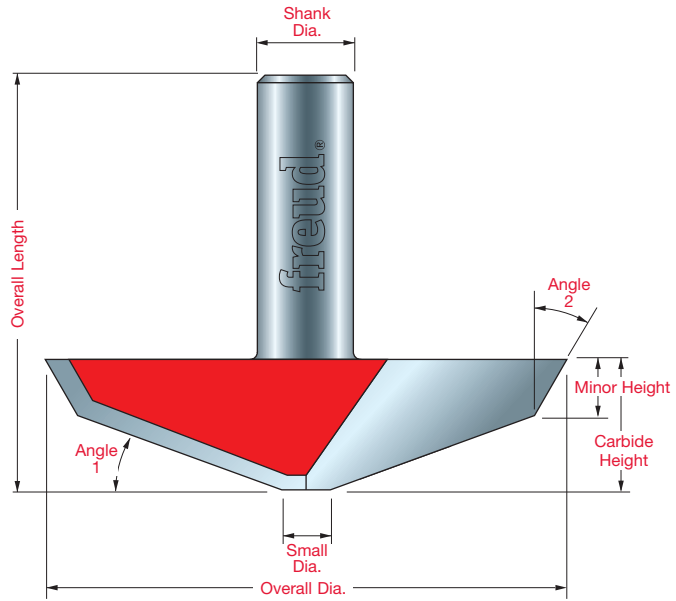
Ideal for making decorative grooves in panels, tops and plaques. Produces raised panels used in doors and paneling from 3/4" stock. Adjust the length of the tongue by using a fence.

MATERIALS



ROUTER BITS

| ITEM NUMBER | OVERALL DIA. | SMALL DIA. | CARBIDE HEIGHT | MINOR HEIGHT | ANGLE 1 | ANGLE 2 | SHANK DIA. | OVERALL LENGTH |
|-------------|--------------|------------|----------------|--------------|---------|---------|------------|----------------|
| 99-214 | 2-3/4" | 1/4" | 11/16" | 19/64" | 20° | 30° | 1/2" | 2-3/16" |



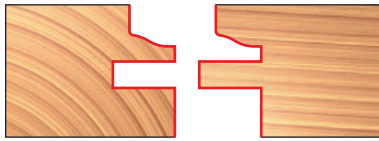
99-214

Matched Rail & Stile Mini Profile Bit Sets

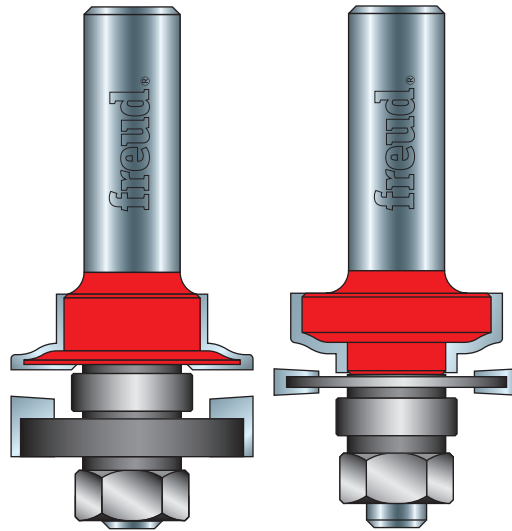


DOOR & WINDOW BITS

| ITEM NUMBER | OVERALL DIA. | SMALL DIA. | CARBIDE HEIGHT | MINOR HEIGHT | LARGE RADIUS | SHANK DIA. | OVERALL LENGTH |
|-------------|--------------|------------|----------------|--------------|--------------|------------|----------------|
| 99-266 | 1-9/32" | 25/32" | 13/16" | - | - | 1/2" | 2-11/16" |



99-266



USE IN

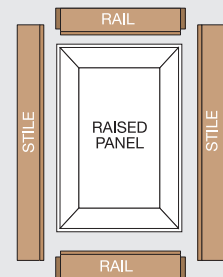


Table Router

APPLICATION

Produces perfect fitting rail and stile doors from 3/4" stock. Produce flawless raised panel doors when you combine these bits with one of Freud's Raised Panel Bits. Shims are included to ensure a perfect fit.

MATERIALS



ROUTER BITS

DOOR & WINDOW BITS



Quadra-Cut™ Raised Panel Bits

USE IN



Table Router



APPLICATION

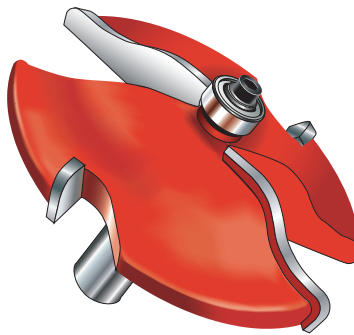
Ideal for creating raised panels for doors and paneling, as well as decorative tops, plaques and molding. Revolutionary design combines two small wings that cut downward to shear the top edge for a splinter-free surface, and two large wings that shear upward for a smooth finish.

MATERIALS

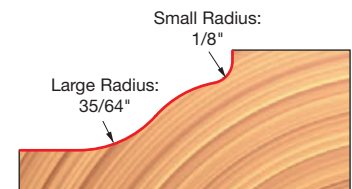
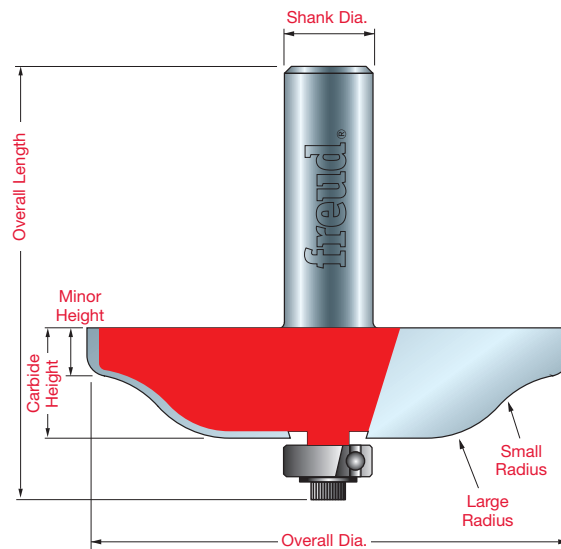
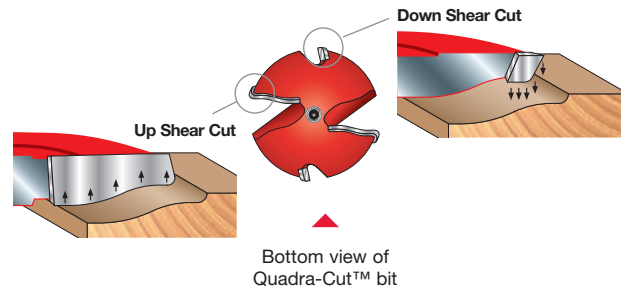


ROUTER BITS

| ITEM NUMBER | OVERALL DIA. | SMALL DIA. | CARBIDE HEIGHT | MINOR HEIGHT | LARGE RADIUS | SMALL RADIUS | SHANK DIA. | OVERALL LENGTH |
|-------------|--------------|------------|----------------|--------------|--------------|--------------|------------|----------------|
| 99-510 | 2-3/4" | - | 5/8" | 7/32" | 35/64" | 1/8" | 1/2" | 2-1/2" |
| 99-511 | 2-3/4" | 1-1/8" | 5/8" | 15/64" | - | - | 1/2" | 2-1/2" |
| 99-512 | 2-3/4" | 1-1/4" | 5/8" | 17/64" | 13/64" | - | 1/2" | 2-1/2" |
| 99-513* | 2-3/4" | - | 5/8" | 15/64" | 7/16" | - | 1/2" | 2-1/2" |
| 99-515 | 3-1/2" | 1-1/4" | 5/8" | 5/32" | - | - | 1/2" | 2-1/2" |
| 99-516 | 3-1/2" | 1-1/4" | 1/2" | 5/32" | - | - | 1/2" | 2-1/2" |
| 99-518 | 3-1/2" | - | 5/8" | 5/64" | 1-1/2" | - | 1/2" | 2-1/2" |
| 99-519 | 3-1/2" | - | 1/2" | 5/64" | 1-1/2" | - | 1/2" | 2-1/2" |
| 99-520 | 3-1/2" | - | 5/8" | 7/32" | 25/32" | 5/32" | 1/2" | 2-1/2" |
| 99-521 | 3-1/2" | - | 1/2" | - | 1-3/16" | 5/32" | 1/2" | 2-1/2" |
| 99-522 | 3-1/2" | 1-1/4" | 5/8" | - | 15/64" | - | 1/2" | 2-1/2" |
| 99-523 | 3-1/2" | 1-1/4" | 1/2" | - | 5/32" | - | 1/2" | 2-1/2" |



FREUD'S QUADRA-CUT™ 4 CUTTER DESIGN



99-510

Quadra-Cut Design

* Angle=110°

U.S. Patent No. 5,899,252

Red Item Numbers Indicate 1/2" Shank

Drawings are not to scale

Quadra-Cut™ Raised Panel Bits

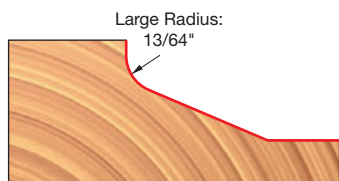
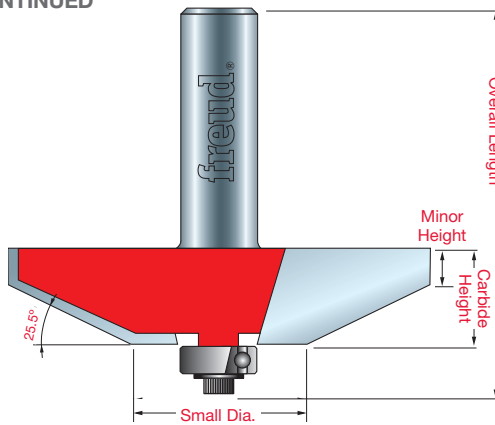
DOOR & WINDOW BITS



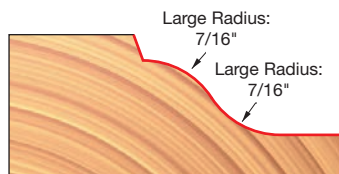
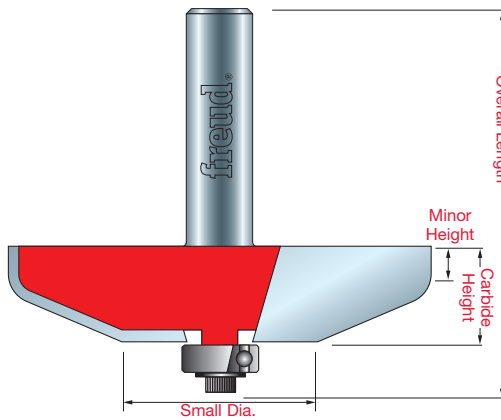
CONTINUED



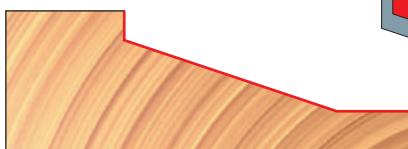
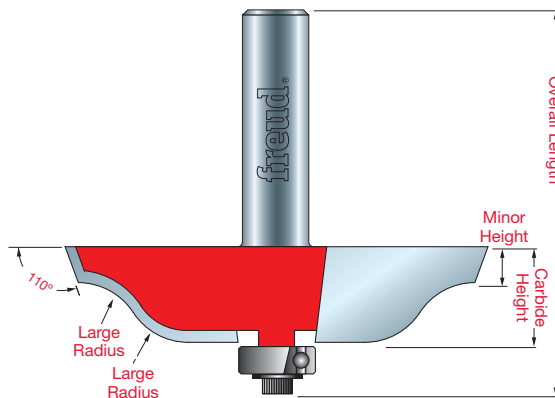
99-511



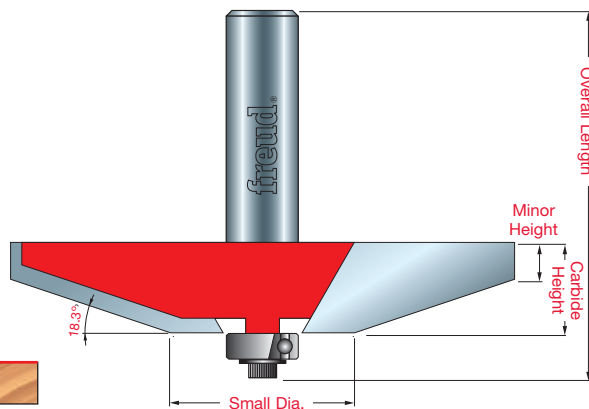
99-512



99-513



99-515



USE IN



Table Router

APPLICATION

Ideal for creating raised panels for doors and paneling, as well as decorative tops, plaques and molding. Revolutionary design combines two small wings that cut downward for a splinter-free surface, and two large wings that shear upward for a smooth finish.

MATERIALS



Hardwood

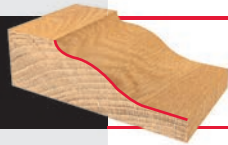
Softwood

MDF

Plywood

ROUTER BITS

DOOR & WINDOW BITS



Quadra-Cut™ Raised Panel Bits

USE IN



Table Router

APPLICATION

Ideal for creating raised panels for doors and paneling, as well as decorative tops, plaques and molding. Revolutionary design combines two small wings that cut downward to shear the top edge for a splinter-free surface, and two large wings that shear upward for a smooth finish.

MATERIALS



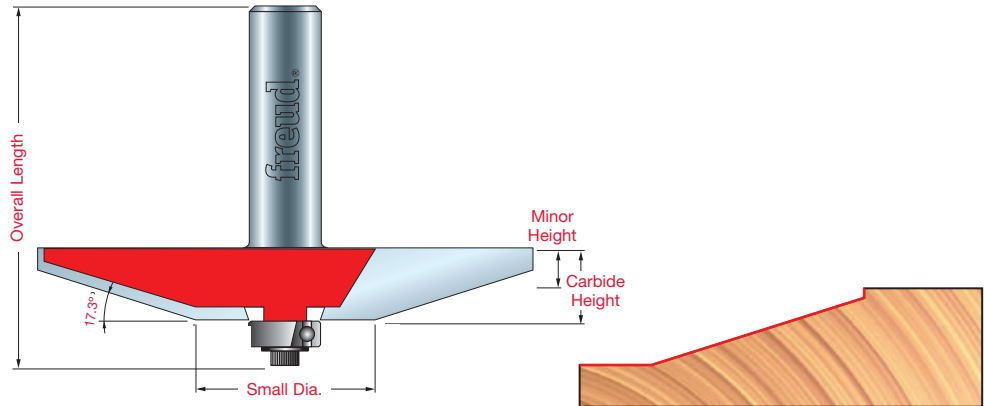
Hardwood Softwood



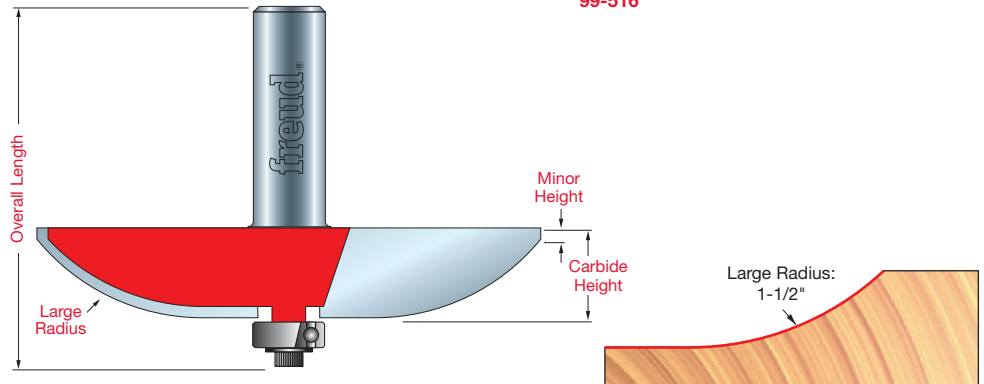
MDF Plywood

ROUTER BITS

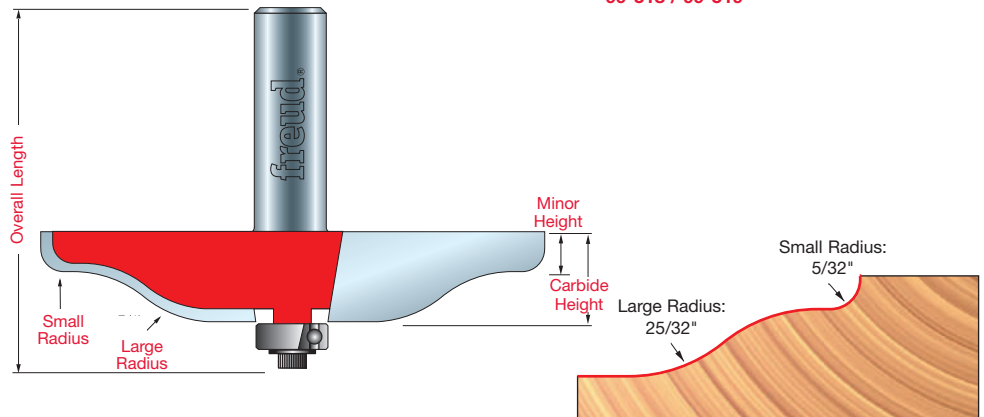
CONTINUED



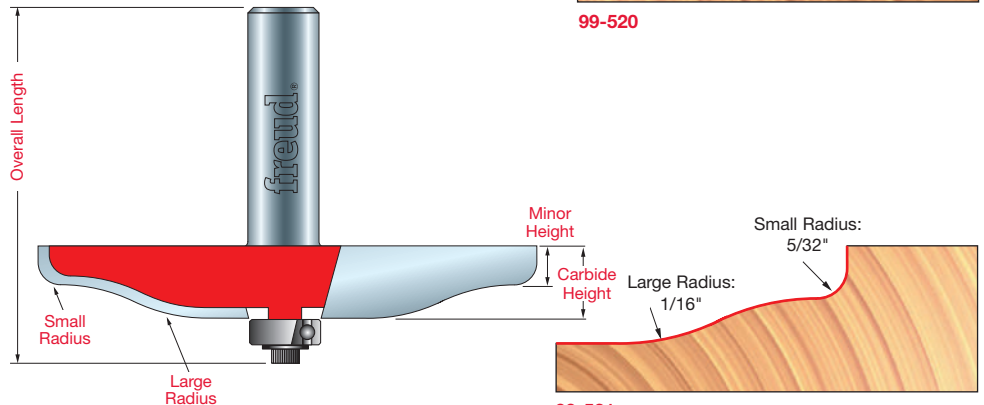
99-516



99-518 / 99-519



99-520



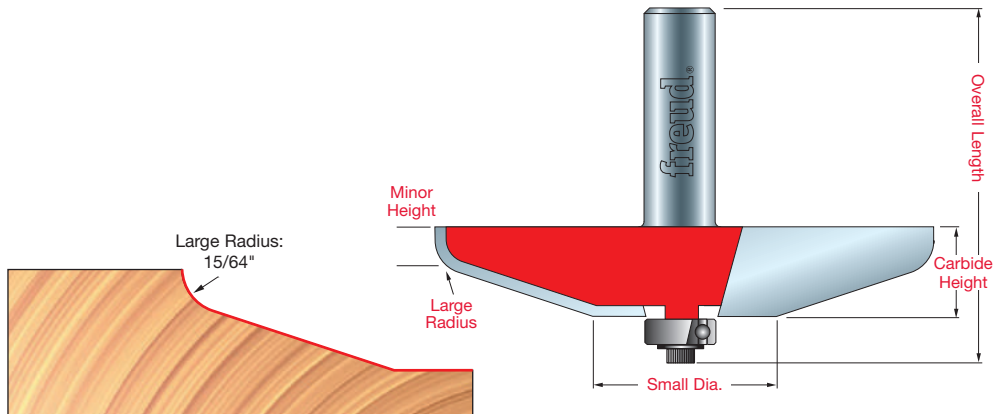
99-521

Quadra-Cut™ Raised Panel Bits

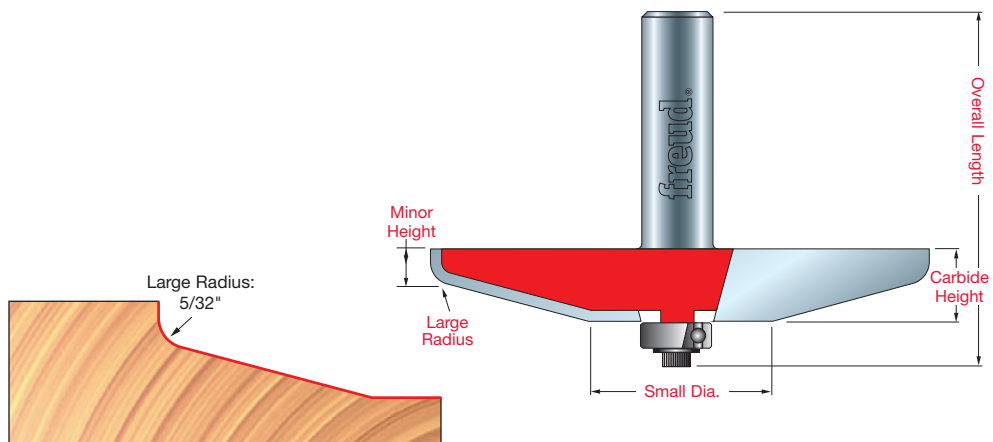


DOOR & WINDOW BITS

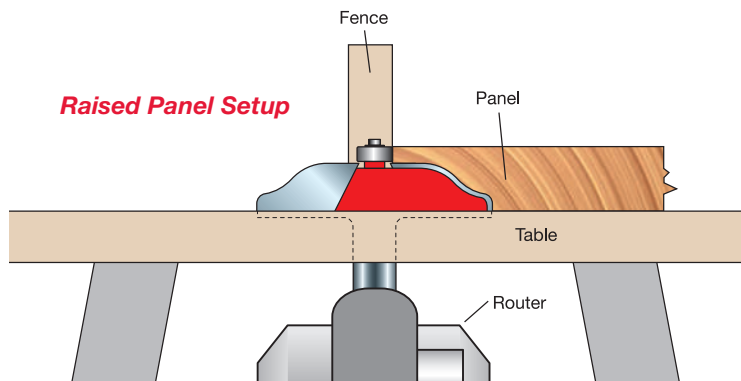
CONTINUED



99-522



99-523



USE IN



Table Router

APPLICATION

Ideal for creating raised panels for doors and paneling, as well as decorative tops, plaques and molding. Revolutionary design combines two small wings that cut downward to shear the top edge for a splinter-free surface, and two large wings that shear upward for a smooth finish.

MATERIALS



ROUTER BITS

DOOR & WINDOW BITS



Quadra-Cut™ Raised Panel Bits with Backcutters

USE IN



Table Router



APPLICATION

Producing panels from 3/4" stock that are flush with the doorframe for a professional, architecturally correct appearance. Exclusive design combines a backcutter with the smooth cuts of Freud's Quadra-Cut™ Raised Panel Bits. Shims are included to allow adjustment of tongue thickness from 7/32" to 1/4" for maximum versatility and compatibility. Patented design allows these bits to produce a full 1-1/2" wide reveal for traditional raised panel doors. Included 54-562 radius backcutter gives double-sided appearance and can be replaced with optional 54-560 square backcutter for a more contemporary look.

MATERIALS

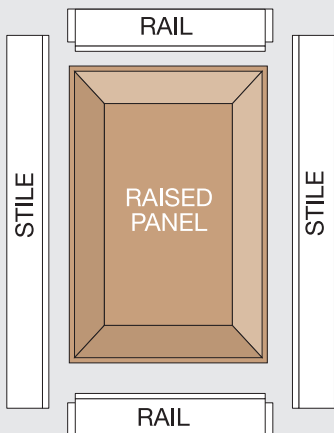


Hardwood

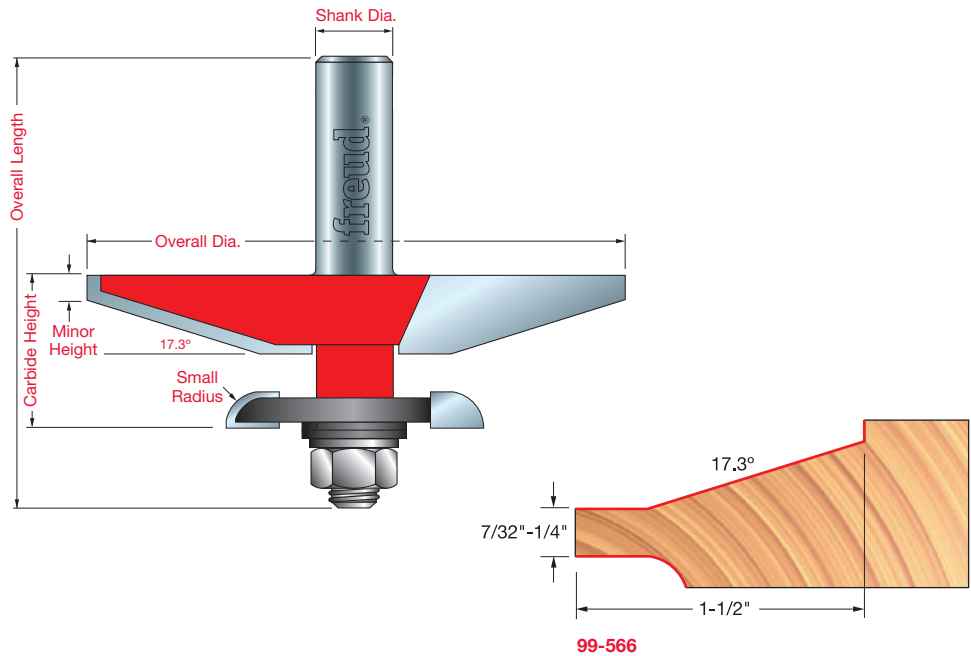
Softwood

MDF

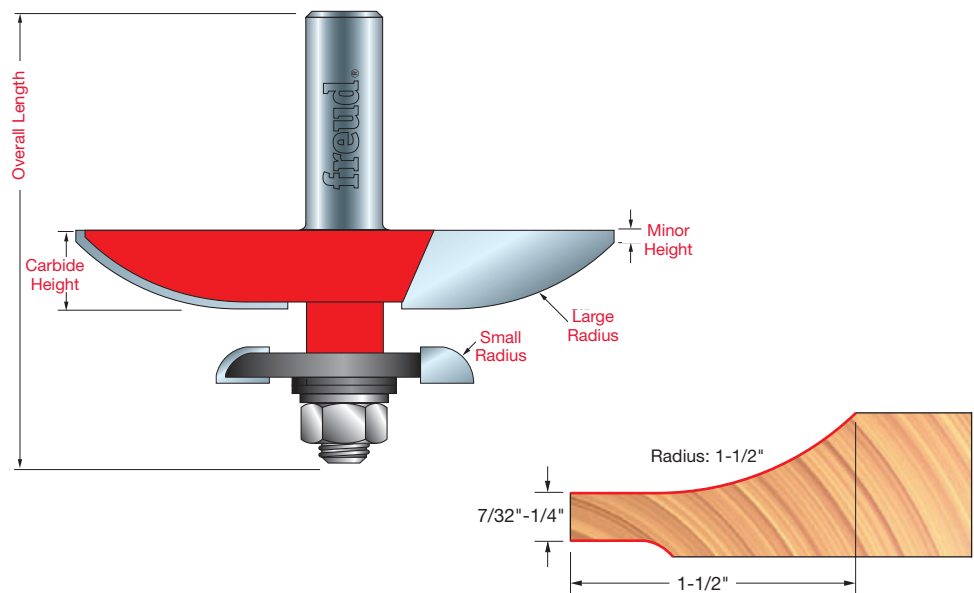
Plywood



| ITEM NUMBER | OVERALL DIA. | CARBIDE HEIGHT | MINOR HEIGHT | LARGE RADIUS | SMALL RADIUS | SHANK DIA. | OVERALL LENGTH |
|----------------------------------|--------------|----------------|--------------|--------------|--------------|------------|----------------|
| 99-566 | 3-1/2" | 1" | 5/32" | - | 3/16" | 1/2" | 3" |
| 99-569 | 3-1/2" | 1" | 5/32" | 1-1/2" | 3/16" | 1/2" | 3" |
| 99-571 | 3-1/2" | 1" | - | 1-3/16" | 5/32" | 1/2" | 3" |
| Optional Replacement Backcutters | | | | | | | |
| 54-560 | 1-7/16" | 15/64" | - | - | - | - | - |
| 54-562 | 1-13/16" | 15/64" | - | - | 3/16" | - | - |
| Mini Quadra-Cut Raised Panel Bit | | | | | | | |
| 99-500 | 2-19/32" | 7/8" | - | 3/4" | 7/64" | 1/2" | 2-51/64" |



99-566



99-569

Quadra-Cut Design
 U.S. Patent No. 5,899,252
 U.S. Patent No. 6,354,347

Red Item Numbers Indicate 1/2" Shank

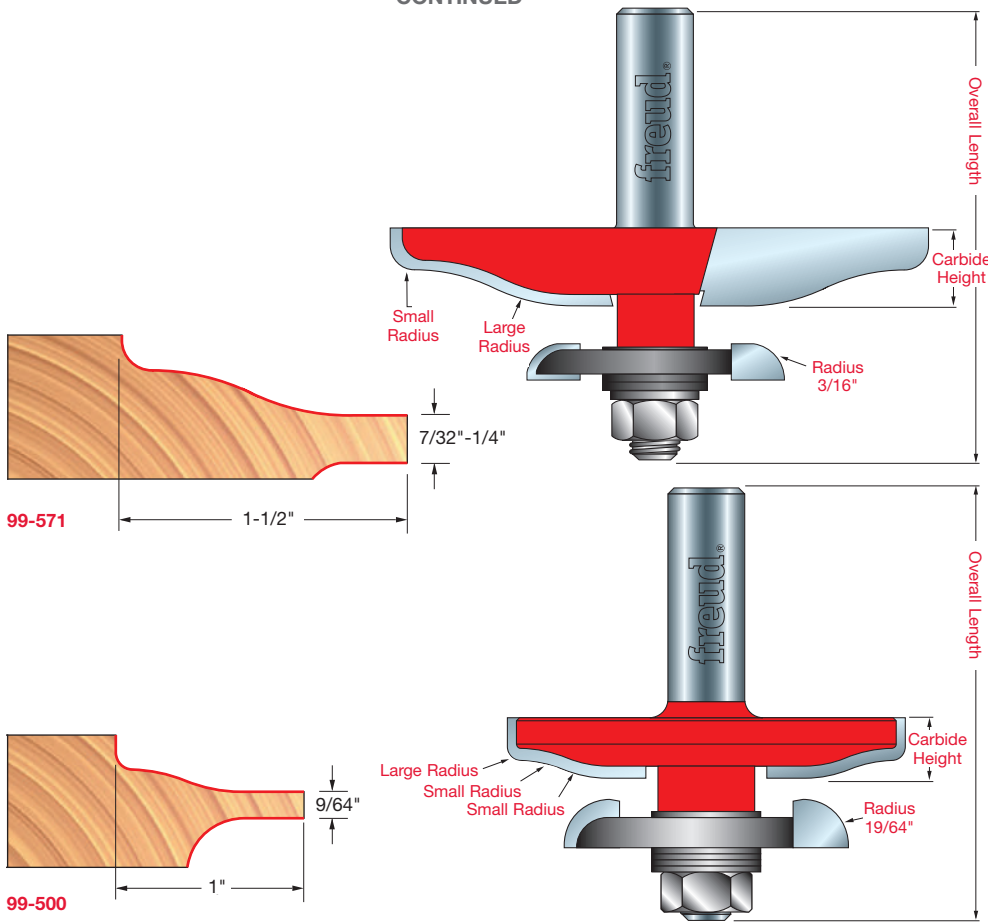
All Profile Drawings 1:1 Scale

Quadra-Cut™ Raised Panel Bits with Backcutters



DOOR & WINDOW BITS

CONTINUED



USE IN



Table Router

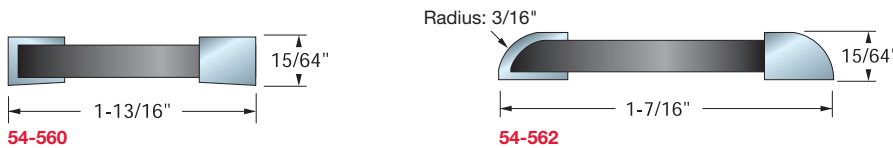
APPLICATION

Producing panels from 3/4" stock that are flush with the doorframe for a professional, architecturally correct appearance. Exclusive design combines a backcutter with the smooth cuts of Freud's Quadra-Cut™ Raised Panel Bits. Shims are included to allow adjustment of tongue thickness from 7/32" to 1/4" for maximum versatility and compatibility. Patented design allows these bits to produce a full 1-1/2" wide reveal for traditional raised panel doors. Included 54-562 radius backcutter gives double-sided appearance and can be replaced with optional 54-560 square backcutter for a more contemporary look.

MATERIALS

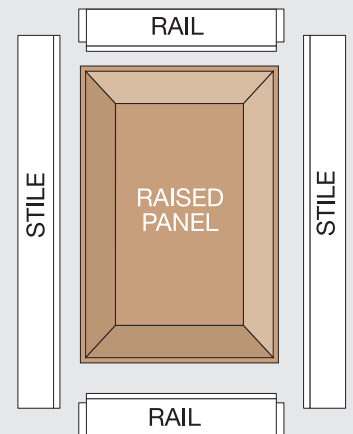


Replacement Backcutters

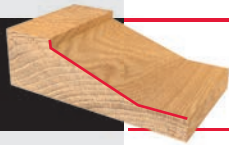


STEPS TO BUILDING A PERFECT PANEL DOOR

- 1** Cut rail ends.
Bit shown is from Freud set #99-760.
- 2** Rout stiles & rails.
Bit shown is from Freud set #99-760.
- 3** In one step, cut door panel profile and back cut.
Quadra-Cut™ Raised Panel Bit shown is the #99-569.
- 4** Assemble stiles, rails and door panel.



DOOR & WINDOW BITS



Vertical Raised Panel Bits

USE IN



Table Router

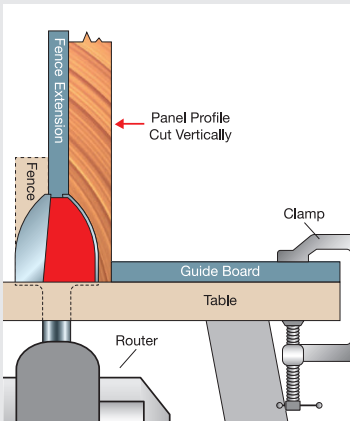
APPLICATION

Creates full sized raised panels by feeding 3/4" stock vertically. Small overall diameter makes these bits ideal for lower horsepower routers and single speed routers.

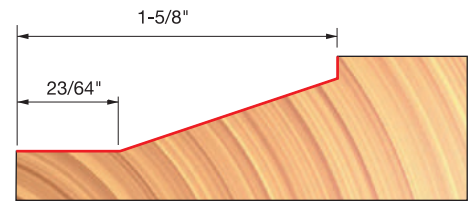
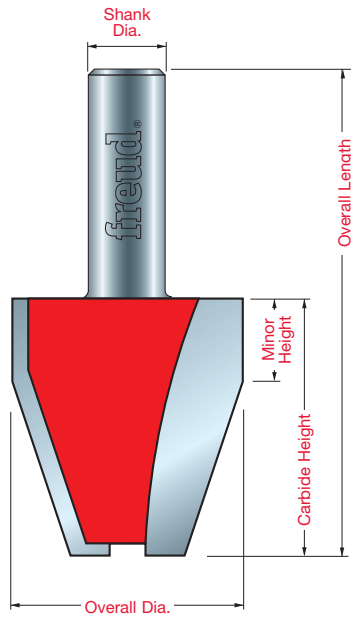
MATERIALS



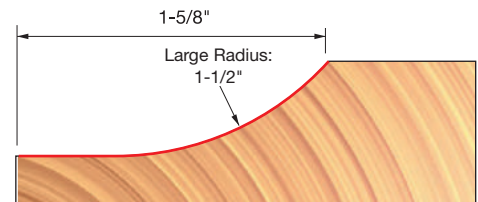
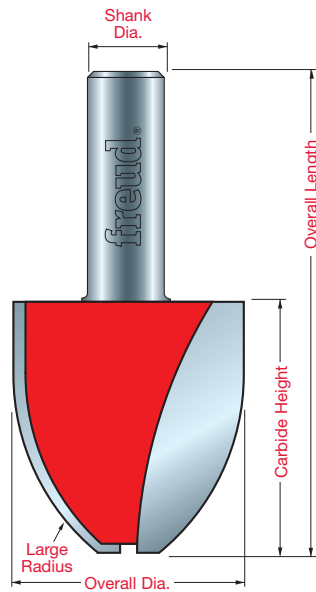
SET UP



| ITEM NUMBER | OVERALL DIA. | CARBIDE HEIGHT | MINOR HEIGHT | LARGE RADIUS | SMALL RADIUS | SHANK DIA. | OVERALL LENGTH |
|-------------|--------------|----------------|--------------|--------------|--------------|------------|----------------|
| 99-315 | 1-1/2" | 1-5/8" | 23/64" | - | - | 1/2" | 3-3/16" |
| 99-318 | 1-1/2" | 1-5/8" | - | 1-1/2" | - | 1/2" | 3-3/16" |
| 99-320 | 1-1/2" | 1-5/8" | - | 25/32" | 5/32" | 1/2" | 3-3/16" |
| 99-322 | 1-1/2" | 1-5/8" | 23/64" | 3/8" | - | 1/2" | 3-3/16" |



99-315



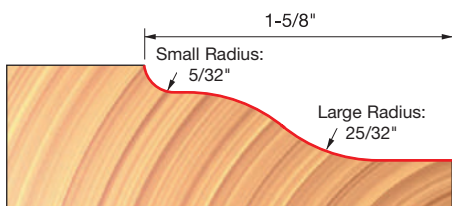
99-318

Vertical Raised Panel Bits

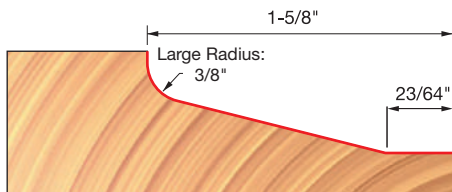
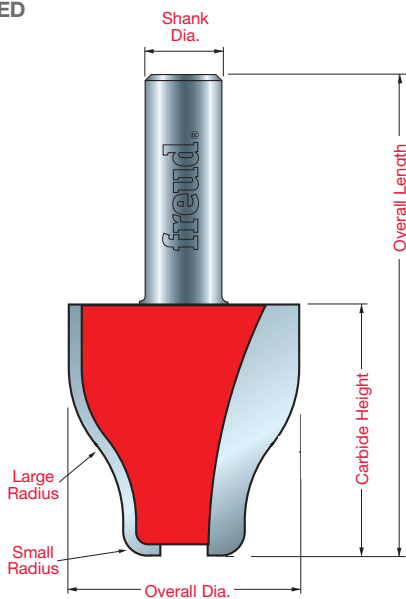


DOOR & WINDOW BITS

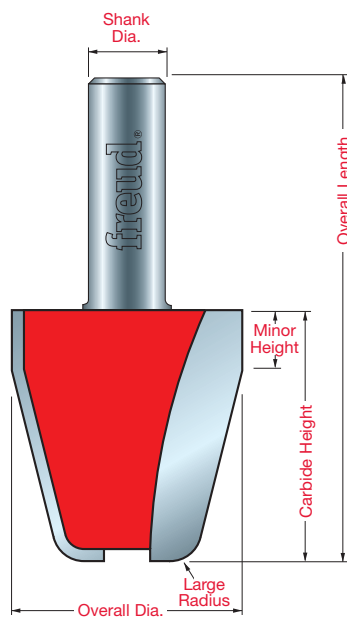
CONTINUED



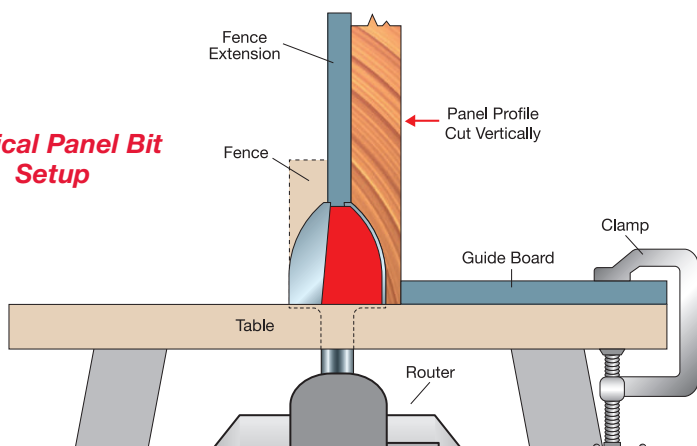
99-320



99-322



Vertical Panel Bit Setup



Red Item Numbers Indicate 1/2" Shank

All Profile Drawings 1:1 Scale

USE IN



Table Router

APPLICATION

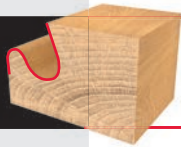
Creates full sized raised panels by feeding 3/4" stock vertically. Small overall diameter makes these bits ideal for lower horsepower routers and single speed routers.

MATERIALS



ROUTER BITS

DOOR & WINDOW BITS



Door Pull Bit

USE IN



Table Router

APPLICATION

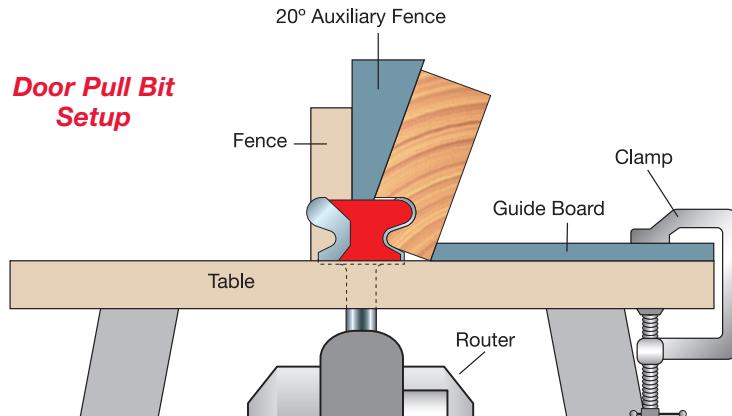
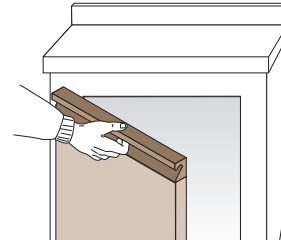
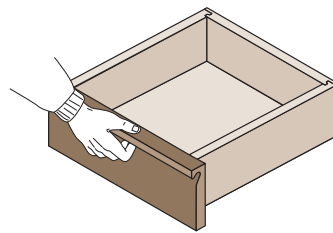
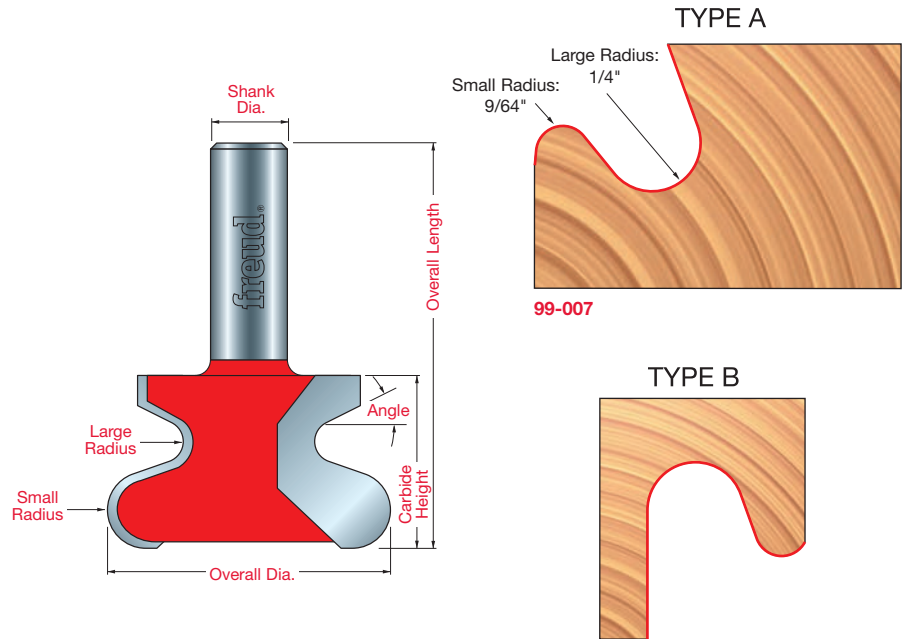
Produces the finger pull groove found on popular contemporary cabinet doors

MATERIALS



ROUTER BITS

| ITEM NUMBER | OVERALL DIA. | CARBIDE HEIGHT | LARGE RADIUS | SMALL RADIUS | ANGLE | SHANK DIA. | OVERALL LENGTH |
|-------------|--------------|----------------|--------------|--------------|---------|------------|----------------|
| 99-007 | 1-27/32" | 1-1/8" | 1/4" | 9/64" | 26-1/2° | 1/2" | 2-5/8" |



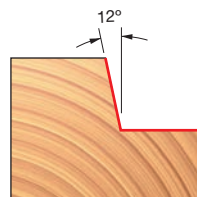
Door Lip Bit



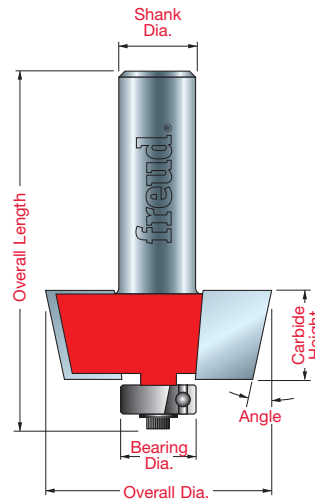
DOOR & WINDOW BITS

CONTINUED

| ITEM NUMBER | OVERALL DIA. | BEARING DIA. | CARBIDE HEIGHT | ANGLE | SHANK DIA. | OVERALL LENGTH |
|-------------|--------------|--------------|----------------|-------|------------|----------------|
| 99-002 | 1-1/2" | 1/2" | 19/32" | 12° | 1/2" | 2-7/16" |



99-002



USE IN



Table Router Hand Router

APPLICATION

Cutting out the inset portion of a cabinet door. Use with your choice of face profiles for maximum design versatility.

MATERIALS



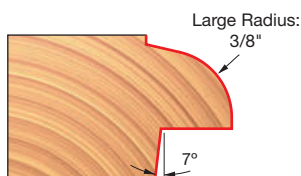
ROUTER BITS

Door Lip Bit

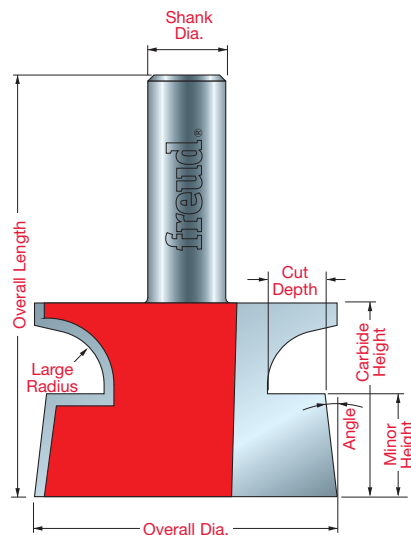


DOOR & WINDOW BITS

| ITEM NUMBER | OVERALL DIA. | CUT DEPTH | CARBIDE HEIGHT | MINOR HEIGHT | LARGE RADIUS | ANGLE | SHANK DIA. | OVERALL LENGTH |
|-------------|--------------|-----------|----------------|--------------|--------------|-------|------------|----------------|
| 99-001 | 2" | 29/64" | 1-1/4" | 11/16" | 3/8" | 7° | 1/2" | 2-3/4" |



99-001



USE IN



Table Router

APPLICATION

Producing classical door lips on stock from 1/2" to 1-1/4" in thickness

MATERIALS



DOOR & WINDOW BITS



No Lip Door Edge Bit

USE IN



Table Router Hand Router

APPLICATION

Create a decorative inverted Ogee Profile on the face of door fronts. Designed to complement the profile formed on the face of the door created by the 99-064 finger pull door edge bit. Precise shear angles provide a splinter-free finish.

MATERIALS



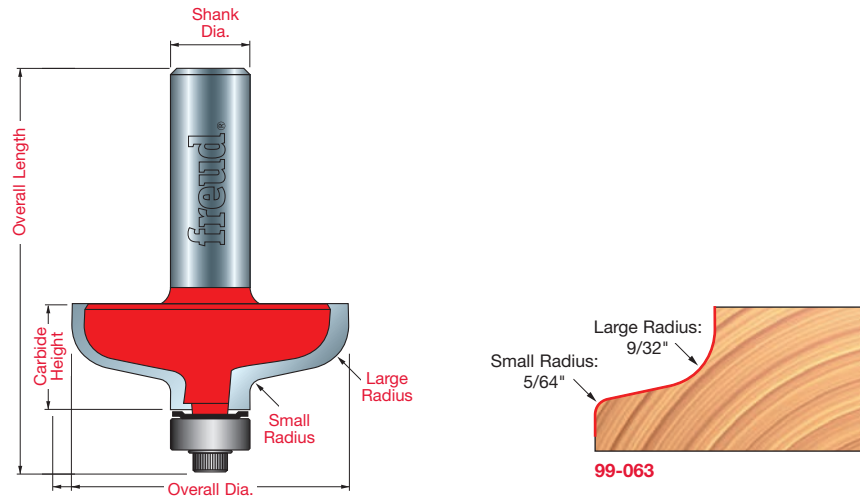
Hardwood

Softwood

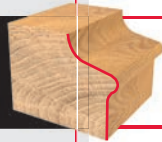
MDF

Plywood

| ITEM NUMBER | OVERALL DIA. | CARBIDE HEIGHT | LARGE RADIUS | SMALL RADIUS | SHANK DIA. | OVERALL LENGTH |
|-------------|--------------|----------------|--------------|--------------|------------|----------------|
| 99-063 | 1-3/4" | 5/8" | 9/32" | 5/64" | 1/2" | 2-5/8" |



DOOR & WINDOW BITS



Finger Pull Door Lip Bit

USE IN



Table Router

APPLICATION

Creating the finger pull found on popular contemporary cabinet doors

MATERIALS



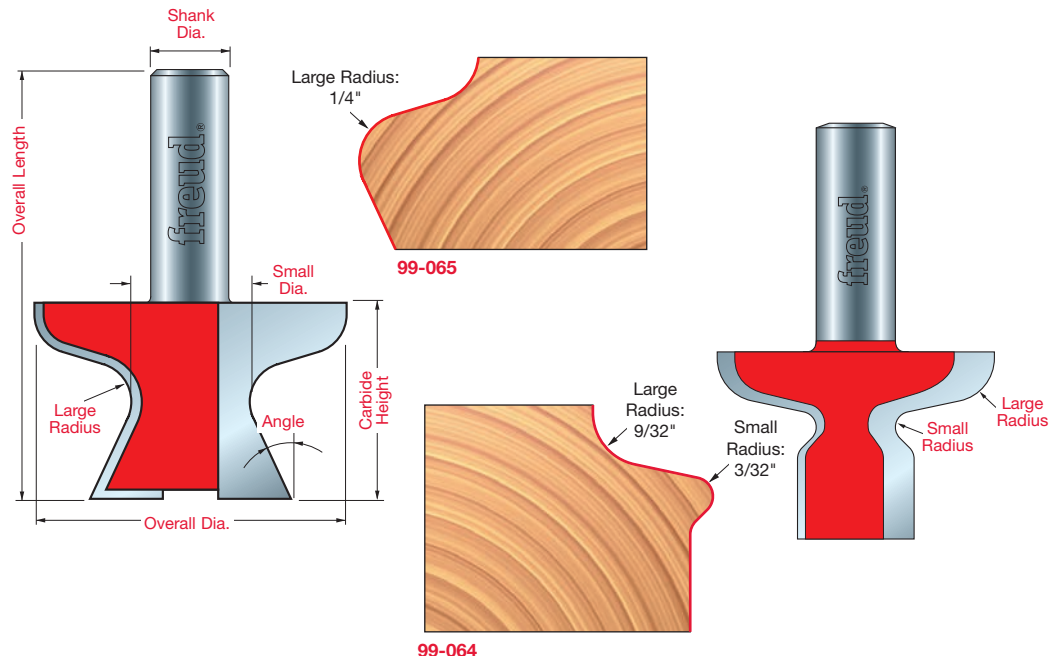
Hardwood

Softwood

MDF

Plywood

| ITEM NUMBER | OVERALL DIA. | SMALL DIA. | CARBIDE HEIGHT | LARGE RADIUS | SMALL RADIUS | ANGLE | SHANK DIA. | OVERALL LENGTH |
|-------------|--------------|------------|----------------|--------------|--------------|-------|------------|----------------|
| 99-064 | 1-3/4" | 5/8" | 1-3/16" | 9/32" | 3/32" | - | 1/2" | 2-5/8" |
| 99-065 | 2" | 3/4" | 1-1/4" | 1/4" | - | 25° | 1/2" | 2-3/4" |

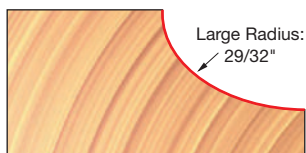


Drawer Front Bit

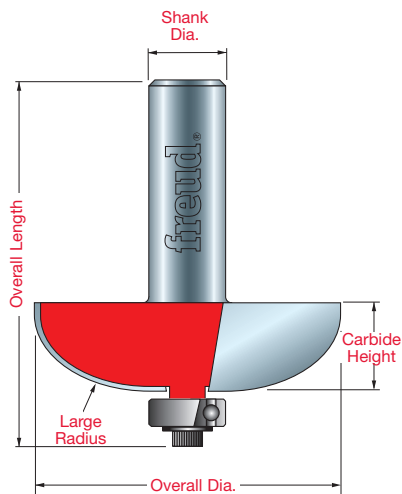
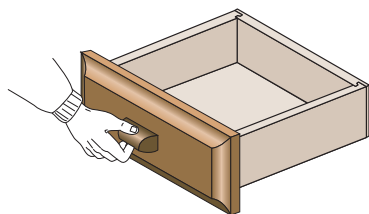


DOOR & WINDOW BITS

| ITEM NUMBER | OVERALL DIA. | CARBIDE HEIGHT | LARGE RADIUS | SHANK DIA. | OVERALL LENGTH |
|-------------|--------------|----------------|--------------|------------|----------------|
| 99-066 | 2" | 9/16" | 29/32" | 1/2" | 2-3/8" |



99-066



USE IN



Table Router Hand Router

APPLICATION

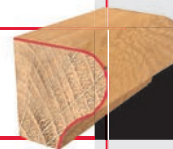
Adding a decorative "raised panel" look to drawer fronts. Precise shear angles provide a splinter-free finish.

MATERIALS



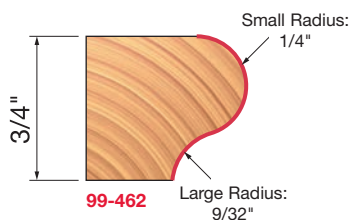
ROUTER BITS

Window Stool Bit

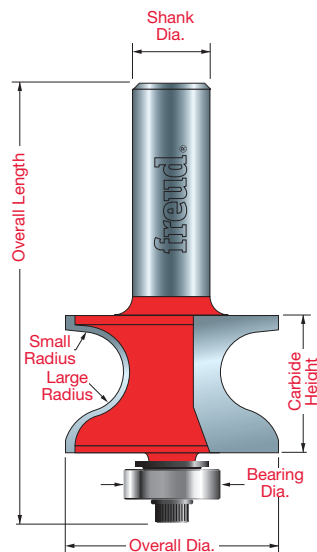


DOOR & WINDOW BITS

| ITEM NUMBER | OVERALL DIA. | BEARING DIA. | CARBIDE HEIGHT | LARGE RADIUS | SMALL RADIUS | SHANK DIA. | OVERALL LENGTH |
|-------------|--------------|--------------|----------------|--------------|--------------|------------|----------------|
| 99-462 | 1-13/32" | 5/8" | 1" | 9/32" | 1/4" | 1/2" | 2-7/8" |



99-462



USE IN



Table Router Hand Router

APPLICATION

For milling a graceful, traditional window sill profile. Perfect to match an existing window stool, or to add a beautiful decorative touch to an unadorned window opening. Suitable for 11/16" or 3/4" thick material. Includes a ball bearing guide for use with patterns or to align the fence.

MATERIALS



ROUTER BIT SETS

USE IN



APPLICATION

Ideal starter set for the beginning woodworker. Includes a variety of bits that allow you to experience several router functions.



MATERIALS



ROUTER BITS

9-Piece Basic Bit Set

| BIT TYPE | ITEM NO. | OVERALL DIA. | BEARING DIA. | CARBIDE HEIGHT | NO. OF FLUTES | MINOR HEIGHT | ANGLE | SHANK DIA. | OVERALL LENGTH |
|--|----------|--------------|--------------|----------------|---------------|--------------|-------|------------|----------------|
| Item Number 88-100 (9 pc. 1/4" Shank Set) | | | | | | | | | |
| Double Flute Straight Bit* | 04-104 | 1/4" | - | 1/2" | - | - | - | 1/4" | 2" |
| Double Flute Straight Bit | 04-124 | 3/8" | - | 1" | - | - | - | 1/4" | 2-1/2" |
| Mortising Bit | 16-100 | 1/2" | - | 1/2" | - | - | - | 1/4" | 2" |
| Dovetail Bit | 22-104 | 1/2" | - | 1/2" | - | 14° | - | 1/4" | 1-7/8" |
| Rabbeting Bit | 32-100 | 1-1/4" | 1/2" | 1/2" | - | - | - | 1/4" | 2" |
| Rounding Over Bit | 34-110 | 1" | 1/2" | 1/2" | - | - | 1/4" | 1/4" | 2-3/16" |
| Roman Ogee Bit | 38-100 | 1-1/16" | 3/8" | 1/2" | - | - | 5/32" | 1/4" | 2-3/16" |
| Bearing Flush Trim Bit | 42-102 | 3/8" | 3/8" | 1/2" | 2 | - | - | 1/4" | 2-5/16" |
| Panel Pilot Bit* | 70-100 | 1/4" | - | 1/4" | 1 | - | 1/4" | 1-5/8" | 1-5/8" |
| Item Number 91-108 (9 pc. 1/2" Shank Set) | | | | | | | | | |
| Double Flute Straight Bit | 12-116 | 1/2" | - | 1" | - | - | - | 1/2" | 2-5/8" |
| Double Flute Straight Bit | 12-108 | 3/8" | - | 1" | - | - | - | 1/2" | 2-5/8" |
| Mortising Bit | 16-110 | 1/2" | - | 1/2" | - | - | - | 1/2" | 2-3/8" |
| Dovetail Bit | 22-112 | 1/2" | - | 1/2" | - | 14° | - | 1/2" | 2-1/4" |
| Rabbeting Bit | 32-102 | 1-1/4" | 1/2" | 1/2" | - | - | - | 1/2" | 2-1/4" |
| Rounding Over Bit | 34-120 | 1" | 1/2" | 1/2" | - | - | 1/4" | 1/2" | 2-1/2" |
| Roman Ogee Bit | 38-106 | 1-3/8" | 3/8" | 1/2" | - | - | 5/32" | 1/2" | 2-3/8" |
| Bearing Flush Trim Bit | 42-109 | 1/2" | 1/2" | 1/2" | 2 | - | - | 1/2" | 2-7/8" |
| "V" Grooving Bit | 20-108 | 3/4" | - | 1/2" | - | 90° | - | 1/2" | 2-1/4" |



91-108



04-104 / 04-124
12-116 / 12-108



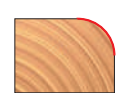
16-100 / 16-110



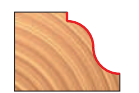
22-104 / 22-112



32-100 / 32-102



34-110 / 34-120



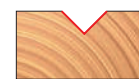
38-100 / 38-106



42-104 / 42-109



70-100



20-108

5-Piece Introductory Bit Set

| BIT TYPE | ITEM NO. | OVERALL DIA. | BEARING DIA. | CARBIDE HEIGHT | NO. OF FLUTES | MINOR HEIGHT | SHANK DIA. | OVERALL LENGTH |
|---------------------------|----------|--------------|--------------|----------------|---------------|--------------|------------|----------------|
| Item Number 91-103 | | | | | | | | |
| Bearing Flush Trim Bit | 42-110 | 1/2" | 1/2" | 1" | 2 | - | 1/2" | 3-1/4" |
| Double Flute Straight Bit | 12-100 | 1/4" | - | 3/4" | 2 | - | 1/2" | 2-3/8" |
| Roman Ogee Bit | 38-104 | 1-1/16" | 3/8" | 1/2" | - | 5/32" | 1/2" | 2-3/8" |
| Rounding Over Bit | 34-124 | 1-1/4" | 1/2" | 5/8" | - | 3/8" | 1/2" | 2-5/8" |
| **Beading Bit | 36-124 | 1-1/4" | 3/8" | 5/8" | - | 3/8" | 1/2" | 2-5/8" |



42-110



12-100



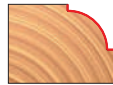
91-103



34-124



38-104



36-124*

ROUTER BIT SETS

USE IN



Table Router Hand Router

APPLICATION

Fundamental bit set for novice woodworkers. Introduction to the wide possibilities offered by your 1/2" collet router. Includes a flush trim, straight, Roman ogee, and rounding over bit.

MATERIALS



ROUTER BITS

5-Piece Up Spiral Bit Set

| BIT TYPE | ITEM NO. | OVERALL DIA. | CARBIDE HEIGHT | SHANK DIA. | OVERALL LENGTH |
|--------------------|----------|--------------|----------------|------------|----------------|
| Item Number 90-150 | | | | | |
| Up Spiral Bit* | 75-101 | 3/16" | 3/4" | 1/4" | 2-1/4" |
| Up Spiral Bit* | 75-102 | 1/4" | 1" | 1/4" | 2-1/2" |
| Up Spiral Bit* | 75-104 | 5/16" | 1" | 1/2" | 3" |
| Up Spiral Bit* | 75-106 | 3/8" | 1-1/4" | 1/2" | 3" |
| Up Spiral Bit* | 75-108 | 1/2" | 1-1/4" | 1/2" | 3" |



75-101 / 75-102
75-104 / 75-106
75-108



90-150

ROUTER BIT SETS

USE IN



Hand Router CNC

APPLICATION

Quickly create grooves, mortises, and dados with chip removal

MATERIALS



** Use included bearing 62-104 to convert 34-124 Beading Bit into 36-124 Rounding Over Bit.

Red Item Numbers Indicate 1/2" Shank

* Solid Carbide

All Profile Drawings 1:1 Scale

freud 251

ROUTER BIT SETS

USE IN



Table Router

Hand Router

CNC

APPLICATION

Create chip-free top surface mortises and dados. Ideal choice for grooves and dados in delicate materials.

MATERIALS



Hardwood

Softwood

MDF

Plywood

ROUTER BIT SETS

USE IN



Table Router Hand Router

APPLICATION

Creates perfectly fitted grooves and dados. Designed to cut today's undersized plywood; ideal for 1/4" to 3/4" plywood.

MATERIALS



Hardwood

Softwood

MDF

Plywood

5-Piece Down Spiral Bit Set

| BIT TYPE | ITEM NO. | OVERALL DIA. | CARBIDE HEIGHT | SHANK DIA. | OVERALL LENGTH |
|--------------------|----------|--------------|----------------|------------|----------------|
| Item Number 90-160 | | | | | |
| Down Spiral Bit* | 76-101 | 3/16" | 3/4" | 1/4" | 2-1/4" |
| Down Spiral Bit* | 76-102 | 1/4" | 1" | 1/4" | 2-1/2" |
| Down Spiral Bit* | 76-104 | 5/16" | 1" | 1/2" | 2-1/2" |
| Down Spiral Bit* | 76-106 | 3/8" | 1-1/4" | 1/2" | 3" |
| Down Spiral Bit* | 76-108 | 1/2" | 1-1/4" | 1/2" | 3" |



91-160



76-101 / 76-102
76-104 / 76-106
76-108

3-Piece Undersized Plywood Bit Set

| BIT TYPE | ITEM NO. | OVERALL DIA. | CARBIDE HEIGHT | SHANK DIA. | OVERALL LENGTH |
|---|----------|--------------|----------------|------------|----------------|
| Item Number 89-660 (3 pc. 1/4" Shank Set) | | | | | |
| Double Flute Straight Bit* | 04-111 | 7/32" | 3/4" | 1/4" | 2" |
| Mortising Bit | 16-098 | 15/32" | 1/2" | 1/4" | 2" |
| Mortising Bit** | 16-103 | 23/32" | 1/2" | 1/4" | 1-3/4" |
| Item Number 89-670 (3 pc. 1/2" Shank Set) | | | | | |
| Down Shear Mortising Bit** | 16-094 | 7/32" | 1/2" | 1/2" | 2-1/4" |
| Down Shear Mortising Bit** | 16-109 | 15/32" | 1/2" | 1/2" | 2-1/4" |
| Mortising Bit** | 16-116 | 23/32" | 3/8" | 1/2" | 2-1/8" |



89-670



04-111 / 16-098
16-103 / 16-094
16-109 / 16-116

4-Piece Undersized Plywood Bit Set



ROUTER BIT SETS

| BIT TYPE | ITEM NO. | OVERALL DIA. | CARBIDE HEIGHT | SHANK DIA. | OVERALL LENGTH |
|--|----------|--------------|----------------|------------|----------------|
| Item Number 90-106 (4 pc. 1/4" Shank Set) | | | | | |
| Double Flute Straight Bit* | 04-111 | 7/32" | 3/4" | 1/4" | 2" |
| Mortising Bit | 16-103 | 23/32" | 1/2" | 1/4" | 1-3/4" |
| Mortising Bit | 16-096 | 11/32" | 1/2" | 1/4" | 2" |
| Mortising Bit** | 16-098 | 15/32" | 1/2" | 1/4" | 2" |
| Item Number 89-650 (4 pc. 1/2" Shank Set) | | | | | |
| Down Shear Mortising Bit** | 16-094 | 7/32" | 1/2" | 1/2" | 2-1/4" |
| Down Shear Mortising Bit** | 16-107 | 11/32" | 1/2" | 1/2" | 2-1/4" |
| Down Shear Mortising Bit** | 16-109 | 15/32" | 1/2" | 1/2" | 2-1/4" |
| Mortising Bit** | 16-116 | 23/32" | 3/8" | 1/2" | 2-1/8" |



16-103 / 16-069
 16-098 / 04-111
 16-094 / 16-107
 16-109 / 16-116



89-650

USE IN



Table Router Hand Router

APPLICATION

Creates perfectly fitted grooves and dados. Designed to cut today's undersized plywood; ideal for 1/4" to 3/4" plywood.

MATERIALS



Hardwood

Softwood

MDF

Plywood

ROUTER BITS

* Solid Carbide
 ** Down Shear Design

ROUTER BIT SETS



8-Piece General Purpose Bit Set

USE IN



Table Router

Hand Router

CNC

APPLICATION

Engraving, 2D & 3D carving, grooving, sign making and sizing material. Whether starting out with your first CNC or expanding the range and quality of an existing bit collection, you will find plenty of projects to tackle with Freud's 1/4" shank General Purpose Set. Specifically designed for CNC Makers to deliver long cutting life, maximum durability and high quality finish.

MATERIALS



Hardwood Softwood Plastic

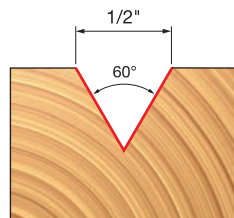
MDF Plywood Aluminum

ROUTER BITS

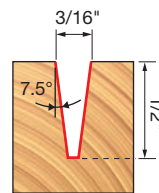
| BIT TYPE | ITEM NO. | OVERALL DIA. | CUTTING LENGTH | SHANK DIA. | OVERALL LENGTH |
|---|----------|--------------|----------------|------------|----------------|
| Item Number 87-108 (8-Piece General Purpose Set) | | | | | |
| Carbide Tipped "V" Grooving Bit | 20-104 | 1/2" | 7/6" | 1/4" | 1-3/4" |
| "V" Grooving Bit* | 20-152 | 1/2" | 1/2" | 1/4" | 2" |
| Engraving V-Groove Bit* | 70-103 | 3/16" | 1/2" | 1/4" | 1-11/16" |
| O-Flute Straight Bit* | 71-040 | 1/8" | 1/2" | 1/4" | 2" |
| Upcut Spiral Ball Nose* | 72-101 | 1/4" | 1/2" | 1/4" | 2-1/2" |
| O-Flute Up Spiral Bit* | 73-762 | 1/8" | 1/2" | 1/4" | 2" |
| O-Flute Up Spiral Bit* | 75-025 | 1/4" | 7/8" | 1/4" | 2-1/2" |
| Up Spiral Bit* | 75-101 | 3/16" | 3/4" | 1/4" | 2-1/4" |



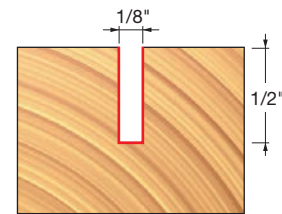
87-108



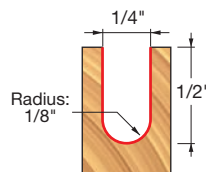
20-152



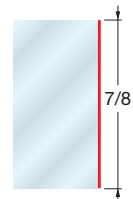
70-103



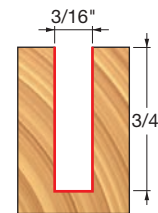
71-040



72-101



75-025



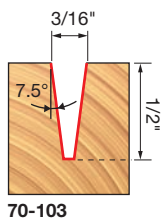
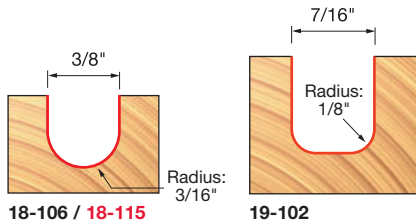
75-101

3-Piece Lettering & Sign Bit Set



ROUTER BIT SETS

| BIT TYPE | ITEM NO. | OVERALL DIA. | CUTTING LENGTH | SHANK DIA. | OVERALL LENGTH |
|--|----------|--------------|----------------|------------|----------------|
| Item Number 87-408 (3-Piece Lettering & Sign Set) | | | | | |
| Round Nose Bit | 18-106 | 1/2" | 3/8" | 1/4" | 1-13/16" |
| Dish Carving | 19-102 | 7/16" | 1/2" | 1/4" | 2" |
| Engraving V-Groove Bit | 70-103 | 3/16" | 1/2" | 1/4" | 1-11/16" |



USE IN



Table Router



Hand Router



CNC

APPLICATION

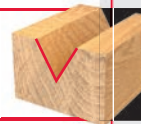
Sign lettering, relief carving, engraving, 2D and 3D carving

MATERIALS



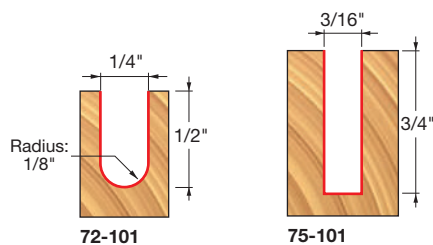
ROUTER BITS

3-Piece Carving Bit Set



ROUTER BIT SETS

| BIT TYPE | ITEM NO. | OVERALL DIA. | CUTTING LENGTH | SHANK DIA. | OVERALL LENGTH |
|---|----------|--------------|----------------|------------|----------------|
| Item Number 87-608 (3-Piece Carving Set) | | | | | |
| Up Cut Spiral Ball Nose | 72-101 | 1/4" | 1/2" | 1/4" | 2-1/2" |
| Up Spiral Bit | 75-101 | 3/16" | 3/4" | 1/4" | 2-1/4" |
| V-Grooving Bit | 20-152 | 1/2" | 1/2" | 1/4" | 2" |



USE IN



Table Router



Hand Router



CNC

APPLICATION

Engraving, 2D & 3D carving, grooving, sign making and sizing material

MATERIALS



ROUTER BIT SETS



3-Piece CNC Fine Detail Set

USE IN



Table Router

Hand Router CNC

APPLICATION

Sign lettering, relief carving, engraving, 2D and 3D Carving. Bit design allows you to make fast cuts with very efficient chip and dust evacuation.

MATERIALS



Hardwood Softwood Plastic

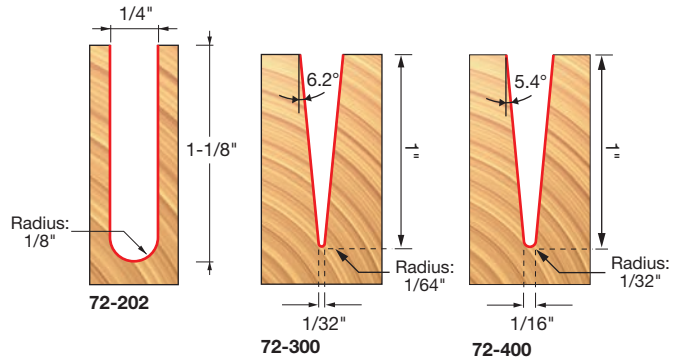
MDF Plywood Aluminum

ROUTER BITS

| BIT TYPE | ITEM NO. | OVERALL DIA. | CUTTING LENGTH | ANGLE | SHANK DIA. | OVERALL LENGTH |
|--|----------|--------------|----------------|-------|------------|----------------|
| Item Number 87-308 (3-Piece CNC Fine Detail Set) | | | | | | |
| Tapered Ball Tip | 72-400 | 1/16" | 1" | 5.4° | 1/4" | 3" |
| Tapered Ball Tip | 72-300 | 1/32" | 1" | - | 1/4" | 3" |
| Up Cut Spiral Ball Nose | 72-202 | 1/4" | 1-1/8" | - | 1/4" | 3" |



87-308



ROUTER BIT SETS



4-Piece Radius "V" Grooving Bit Set

USE IN



Table Router

Hand Router CNC

APPLICATION

Engraving, 2D & 3D carving, grooving, sign making and sizing material. Radius V-Groove Bits give your workpiece a V-Groove Shape with rounded top edge.

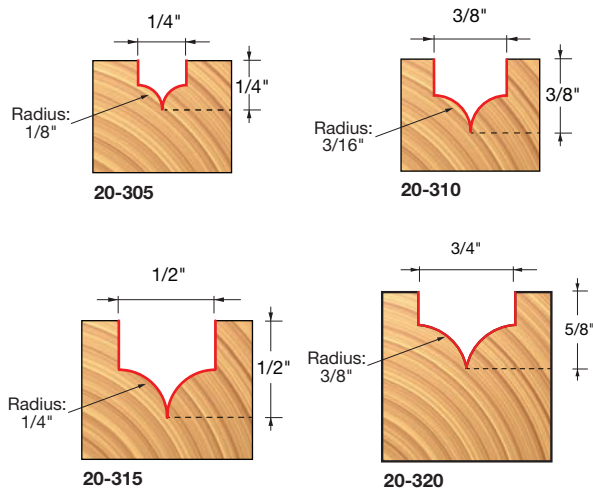
MATERIALS



Hardwood Softwood

MDF Plywood

| ITEM NO. | OVERALL DIA. | CUTTING LENGTH | ANGLE | SHANK DIA. | OVERALL LENGTH |
|---|--------------|----------------|-------|------------|----------------|
| Item Number 87-115 (4-Piece Radius "V" Grooving Bits) | | | | | |
| 20-305* | 3/16" | 1/2 | 7.5° | 1/4" | 1-11/16" |
| 20-310* | 1/4" | - | 15° | 1/4" | 2-12" |
| 20-315* | 1/4" | - | 30° | 1/4" | 2" |
| 20-320* | 1/4" | - | 60° | 1/4" | 2" |



8-Piece Sign Making Bit Set



ROUTER BIT SETS

| BIT TYPE | ITEM NO. | OVERALL DIA. | CUTTING LENGTH | SHANK DIA. | OVERALL LENGTH |
|---|----------|--------------|----------------|------------|----------------|
| Item Number 87-208 (8-Piece Sign Making Bit Set) | | | | | |
| Carbide Tipped "V" Grooving Bit | 20-108 | 3/4" | 1/2" | 1/2" | 2-1/4" |
| "V" Grooving Bit* | 20-152 | 3/4" | 1/2" | 1/4" | 2" |
| Upcut Spiral Ball Nose | 72-101 | 1/4" | 1/2" | 1/4" | 2-1/2" |
| Upcut Spiral Ball Nose | 72-202 | 1/4" | 1/2" | 1/4" | 3" |
| Tapered Ball Tip Bit* | 72-300 | 1/32" | 1" | 1/4" | 3" |
| Tapered Ball Tip Bit* | 72-400 | 1/16" | 1" | 1/4" | 3" |
| Up Spiral Bit* | 75-102 | 1/4" | 1" | 1/4" | 2-1/2" |
| Down Spiral Bit* | 76-100 | 1/8" | 1/2" | 1/4" | 2" |

USE IN



Table Router



Hand Router



CNC

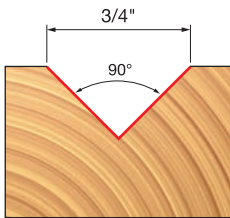
APPLICATION

Sign lettering, relief carving, engraving, 2D and 3D Carving. Specifically designed for CNC Makers to deliver long cutting life, maximum durability and high quality finish.

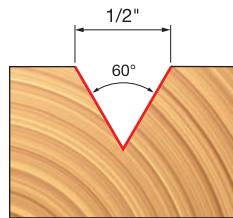
MATERIALS



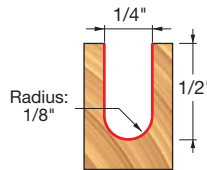
87-208



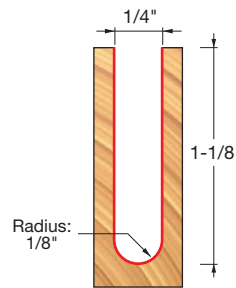
20-108



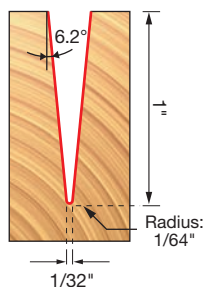
20-152



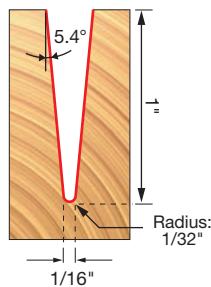
72-101



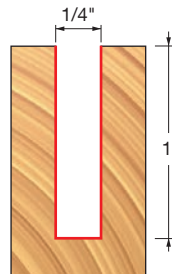
72-202



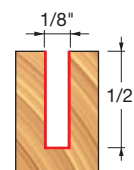
72-300



72-400



75-102



76-100

* Solid Carbide

Red Item Numbers Indicate 1/2" Shank

All Profile Drawings 1:1 Scale

ROUTER BIT SETS



6-Piece Starter Bit Set

USE IN



Table Router Hand Router

APPLICATION

Includes a variety of profiles ideal for the beginning woodworker. Enables a novice woodworker to be very creative with a minimum investment.



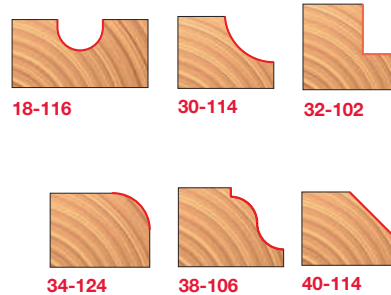
MATERIALS



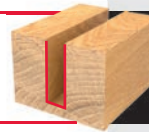
| BIT TYPE | ITEM NO. | OVERALL DIA. | BEARING DIA. | CARBIDE HEIGHT | NO. OF FLUTES | LARGE RADIUS | SHANK DIA. | OVERALL LENGTH |
|--|----------|--------------|--------------|----------------|---------------|--------------|------------|----------------|
| Item Number 91-104 (6 pc. 1/2" Shank Set) | | | | | | | | |
| Round Nose Bit | 18-116 | 1/2" | - | 1-1/8" | - | 1/4" | 1/2" | 2-13/16" |
| Cove Bit | 30-114 | 1-1/2" | 1/2" | 5/8" | - | 1/2" | 1/2" | 2-1/2" |
| Rabbeting Bit | 32-102 | 1-1/4" | 1/2" | 1/2" | - | - | 1/2" | 2-1/4" |
| Rounding Over Bit | 34-124 | 1-1/4" | 1-1/2" | 5/8" | - | 3/8" | 1/2" | 2-5/8" |
| Roman Ogee Bit | 38-106 | 1-3/8" | 3/8" | 23/32" | - | 1/4" | 1/2" | 2-9/16" |
| Chamfer Bit | 40-114 | 1-3/4" | 1/2" | 5/8" | 45° | - | 1/2" | 2-9/16" |



91-104



15-Piece Advanced Bit Set



ROUTER BIT SETS

| BIT TYPE | ITEM NO. | OVERALL DIA. | BEARING DIA. | CARBIDE HEIGHT | NO. OF FLUTES | ANGLE | LARGE RADIUS | SHANK DIA. | OVERALL LENGTH |
|----------------------------|----------|--------------|--------------|----------------|---------------|-------|--------------|------------|----------------|
| Item Number 90-100 | | | | | | | | | |
| Double Flute Straight Bit* | 04-106 | 1/4" | - | 3/4" | - | - | - | 1/4" | 2-1/4" |
| Double Flute Straight Bit | 04-140 | 3/4" | - | 3/4" | - | - | - | 1/4" | 2-1/8" |
| Mortising Bit | 16-100 | 1/2" | - | 1/2" | - | - | - | 1/4" | 2" |
| Round Nose Bit* | 18-104 | 1/4" | - | 3/8" | - | - | 1/8" | 1/4" | 2" |
| "V" Grooving Bit | 20-104 | 1/2" | - | 7/16" | - | 90° | - | 1/4" | 1-3/4" |
| Dovetail Bit | 22-104 | 1/2" | - | 1/2" | - | 14° | - | 1/4" | 1-7/8" |
| Panel Pilot Bit | 26-100 | 1/4" | - | 3/4" | 1 | - | - | 1/4" | 2-1/4" |
| Cove Bit | 30-106 | 1-3/8" | 3/8" | 5/8" | - | - | 1/2" | 1/4" | 2-3/16" |
| Rabbeting Bit | 32-100 | 1-1/4" | 1/2" | 1/2" | - | - | - | 1/4" | 2" |
| Rounding Over Bit | 34-114 | 1-1/4" | 1/2" | 5/8" | - | - | 3/8" | 1/4" | 2-3/16" |
| Roman Ogee Bit | 38-100 | 1-1/16" | 3/8" | 1/2" | - | - | 5/32" | 1/4" | 2-3/16" |
| Chamfer Bit | 40-106 | 1-3/4" | 1/2" | 5/8" | - | 45° | - | 1/4" | 2-3/16" |
| Bearing Flush Trim Bit | 42-106 | 1/2" | 1/2" | 1/2" | 2 | - | - | 1/4" | 2-1/8" |
| Flush Trim Bit* | 64-100 | 1/4" | - | 3/8" | - | - | - | 1/4" | 1-1/2" |
| Bevel Trim Bit* | 66-100 | 1/4" | 3/16" | 1/4" | - | 7° | - | 1/4" | 1-1/2" |

USE IN



Table Router Hand Router

APPLICATION

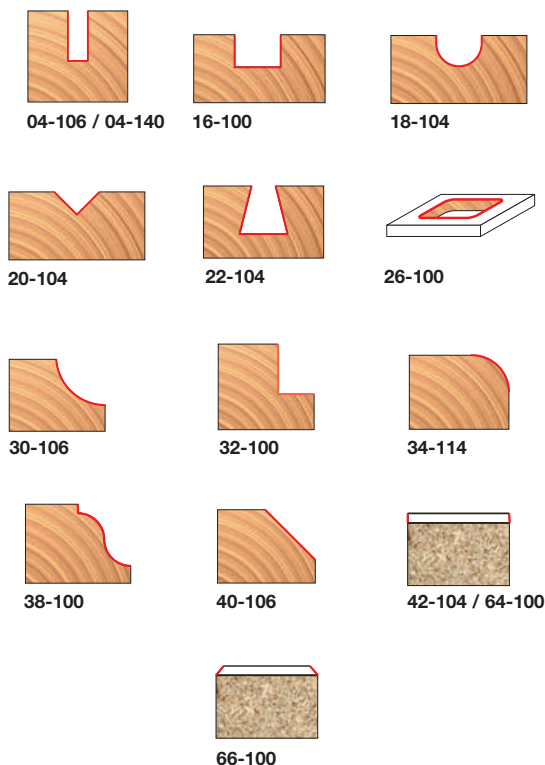
Offers a variety of useful bits, from "V" grooving and flush trimming to chamfering and dovetailing



MATERIALS



ROUTER BITS



90-100

* Solid Carbide

Red Item Numbers Indicate 1/2" Shank

All Profile Drawings 1:1 Scale

ROUTER BIT SETS



26-Piece Artisan Bit Set

USE IN



Table Router Hand Router

APPLICATION

The best set for the professional and serious woodworker. Offers the craftsman a wide range of bits, including: "V" grooving, rounding over, Roman ogee, flush trim, chamfer and many other popular profiles.



MATERIALS



Hardwood Softwood



MDF Plywood

ROUTER BITS

| BIT TYPE | ITEM NO. | OVERALL DIA. | BEARING DIA. | CARBIDE HEIGHT | NO. OF FLUTES | ANGLE | LARGE RADIUS | SHANK DIA. | OVERALL LENGTH |
|----------------------------|----------|--------------|--------------|----------------|---------------|-------|--------------|------------|----------------|
| Item Number 92-100 | | | | | | | | | |
| Double Flute Straight Bit* | 04-100 | 1/8" | - | 3/8" | - | - | - | 1/4" | 1-3/4" |
| Double Flute Straight Bit* | 04-106 | 1/4" | - | 3/4" | - | - | - | 1/4" | 2-1/4" |
| Double Flute Straight Bit* | 04-108 | 1/4" | - | 1" | - | - | - | 1/4" | 2-1/2" |
| Double Flute Straight Bit | 04-140 | 3/4" | - | 3/4" | - | - | - | 1/4" | 2-1/8" |
| Mortising Bit | 16-100 | 1/2" | - | 1/2" | - | - | - | 1/4" | 2" |
| Round Nose Bit* | 18-104 | 1/4" | - | 3/8" | - | - | 1/8" | 1/4" | 2" |
| Round Nose Bit | 18-106 | 3/8" | - | 3/8" | - | - | 3/16" | 1/4" | 1-13/16" |
| "V" Grooving Bit* | 20-100 | 1/4" | - | 1/4" | - | 90° | - | 1/4" | 1-1/2" |
| "V" Grooving Bit | 20-104 | 1/2" | - | 7/16" | - | 90° | - | 1/4" | 1-3/4" |
| Dovetail Bit | 22-104 | 1/2" | - | 1/2" | - | 14° | - | 1/4" | 1-7/8" |
| Panel Pilot Bit* | 26-100 | 1/4" | - | 3/4" | 1 | - | - | 1/4" | 2-1/4" |
| Cove Bit | 30-102 | 7/8" | 3/8" | 1/2" | - | - | 1/4" | 1/4" | 2-3/16" |
| Cove Bit | 30-106 | 1-1/2" | 1/2" | 5/8" | - | - | 1/2" | 1/4" | 2-3/16" |
| Rabbeting Bit | 32-100 | 1-1/4" | 1/2" | 1/2" | - | - | - | 1/4" | 2" |
| Rounding Over Bit | 34-110 | 1" | 1/2" | 1/2" | - | - | 1/4" | 1/4" | 2-3/16" |
| Rounding Over Bit | 34-114 | 1-1/4" | 1/2" | 1/4" | - | - | 3/8" | 1/4" | 2-3/16" |
| Beading Bit | 36-110 | 1" | 3/8" | 1/2" | - | - | 1/4" | 1/4" | 2-3/16" |
| Beading Bit | 36-114 | 1-1/4" | 3/8" | 5/8" | - | - | 3/8" | 1/4" | 2-3/16" |
| Roman Ogee Bit | 38-100 | 1-1/16" | 3/8" | 1/2" | - | - | 5/32" | 1/4" | 2-3/16" |
| Roman Ogee Bit | 38-102 | 1-3/8" | 3/8" | 23/32" | - | - | 1/4" | 1/4" | 2-3/8" |
| Chamfer Bit | 40-106 | 1-3/4" | 1/2" | 1/4" | - | 45° | - | 1/4" | 2-3/16" |
| Bearing Flush Trim Bit | 42-100 | 3/8" | 3/8" | 1" | 2 | - | - | 1/4" | 2-13/16" |
| Bearing Flush Trim Bit | 42-104 | 1/2" | 1/2" | 1" | 2 | - | - | 1/4" | 2-13/16" |
| Bearing Flush Trim Bit | 42-106 | 1/2" | 1/2" | 1/2" | 2 | - | - | 1/4" | 2-1/8" |
| Flush Trim Bit* | 64-100 | 1/4" | - | 3/8" | - | - | - | 1/4" | 1-1/2" |
| Bevel Trim Bit* | 66-100 | 1/4" | 3/16" | 1/4" | - | 7° | - | 1/4" | 1-1/2" |

26-Piece Artisan Bit Set



ROUTER BIT SETS

CONTINUED



04-104 / 04-106
04-108 / 04-140



16-100



18-104 / 18-106



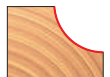
20-100 / 20-104



22-104



26-100



30-102 / 30-106



32-100



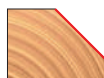
34-110 / 34-114



36-110 / 36-114



38-100 / 38-102



40-106



42-100 / 42-104
42-106 / 64-100



66-100



92-100

USE IN



Table Router Hand Router

APPLICATION

The best set for the professional and serious woodworker. Offers the craftsman a wide range of bits, including: "V" grooving, rounding over, Roman ogee, flush trim, chamfer and many other popular profiles.



MATERIALS



Hardwood

Softwood

MDF

Plywood

ROUTER BITS

ROUTER BIT SETS



13-Piece Super Bit Set

USE IN



Table Router Hand Router

APPLICATION

Offers a mix of woodworkers' favorite bits, including "V" grooving, flush trimming, chamfering and dovetailing



MATERIALS



ROUTER BITS

| BIT TYPE | ITEM NO. | OVERALL DIA. | BEARING DIA. | CARBIDE HEIGHT | NO. OF FLUTES | ANGLE | LARGE RADIUS | SHANK DIA. | OVERALL LENGTH |
|---------------------------|----------|--------------|--------------|----------------|---------------|-------|--------------|------------|----------------|
| Item Number 91-100 | | | | | | | | | |
| Double Flute Straight Bit | 12-100 | 1/4" | - | 3/4" | - | - | - | 1/2" | 2-3/8" |
| Double Flute Straight Bit | 12-116 | 1/2" | - | 1" | - | - | - | 1/2" | 2-5/8" |
| Double Flute Straight Bit | 12-152 | 3/4" | - | 1" | - | - | - | 1/2" | 2-1/2" |
| Mortising Bit | 16-110 | 1/2" | - | 1/2" | - | - | - | 1/2" | 2-3/8" |
| Round Nose Bit | 18-114 | 1/4" | - | 3/8" | - | - | 1/8" | 1/2" | 2-1/4" |
| "V" Grooving Bit | 20-108 | 3/4" | - | 1/2" | - | 90° | - | 1/2" | 2-1/4" |
| Dovetail Bit | 22-112 | 1/2" | - | 1/2" | - | 14° | - | 1/2" | 2-1/4" |
| Cove Bit | 30-114 | 1-1/2" | 1/2" | 5/8" | - | - | 1/2" | 1/2" | 2-1/2" |
| Rabbeting Bit | 32-102 | 1-1/4" | 1/2" | 1/2" | - | - | - | 1/2" | 2-1/4" |
| Rounding Over Bit | 34-124 | 1-1/4" | 1/2" | 5/8" | - | - | 3/8" | 1/2" | 2-5/8" |
| Roman Ogee Bit | 38-106 | 1-3/8" | 3/8" | 23/32" | - | - | 1/4" | 1/2" | 2-9/16" |
| Chamfer Bit | 40-114 | 1-3/4" | 1/2" | 5/8" | - | 45° | - | 1/2" | 2-9/16" |
| Bearing Flush Trim Bit | 42-110 | 1/2" | 1/2" | 1" | 2 | - | - | 1/2" | 3-1/4" |



91-100



12-100 / 12-116
12-152



16-110



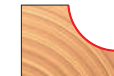
18-114



20-108



22-112



30-114



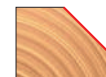
32-102



34-124



38-106



40-114



42-110

3-Piece Premier Adjustable Cabinet Bit Set

ROUTER BIT SETS



USE IN



Table Router

APPLICATION

These sets combine a Premier Adjustable Rail & Stile Bit Set with a Quadra-Cut Raised Panel Bit. Use with stock from 5/8" to 1-1/4" thick.



MATERIALS



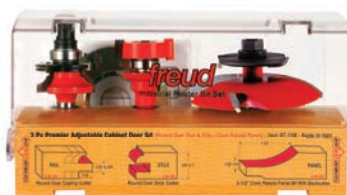
ROUTER BITS

| BIT TYPE | ITEM NO. | DESCRIPTION | OVERALL DIA. | CARBIDE HEIGHT | LARGE RADIUS | SHANK DIA. | OVERALL LENGTH |
|------------------------------|----------|-------------|--------------|----------------|--------------|------------|----------------|
| Item Number 97-150 | | | | | | | |
| Rail & Stile Bit Set | 99-760 | Round Over | 1-11/16" | - | 7/32" | 1/2" | 3-3/4" |
| Quadra-Cut™ Raised Panel Bit | 99-515 | Bevel | 3-1/2" | 5/8" | - | 1/2" | 2-1/2" |
| Item Number 97-152 | | | | | | | |
| Rail & Stile Bit Set | 99-760 | Round Over | 1-11/16" | - | 7/32" | 1/2" | 3-3/4" |
| Quadra-Cut™ Raised Panel Bit | 99-518 | Cove | 3-1/2" | 5/8" | 1-1/2" | 1/2" | 2-1/2" |
| Item Number 97-154 | | | | | | | |
| Rail & Stile Bit Set | 99-760 | Round Over | 1-11/16" | 11/16" | 7/32" | 1/2" | 3-3/4" |
| Quadra-Cut™ Raised Panel Bit | 99-520 | Ogee | 3-1/2" | 5/8" | 25/32" | 1/2" | 2-1/2" |
| Item Number 97-250 | | | | | | | |
| Rail & Stile Bit Set | 99-761 | Ogee | 1-11/16" | 23/32" | 13/64" | 1/2" | 3-3/4" |
| Quadra-Cut™ Raised Panel Bit | 99-515 | Bevel | 3-1/2" | 5/8" | - | 1/2" | 2-1/2" |
| Item Number 97-252 | | | | | | | |
| Rail & Stile Bit Set | 99-761 | Ogee | 1-11/16" | 23/32" | 13/64" | 1/2" | 3-3/4" |
| Quadra-Cut™ Raised Panel Bit | 99-518 | Cove | 3-1/2" | 5/8" | 1-1/2" | 1/2" | 2-1/2" |
| Item Number 97-254 | | | | | | | |
| Rail & Stile Bit Set | 99-761 | Ogee | 1-11/16" | 23/32" | 13/64" | 1/2" | 3-3/4" |
| Quadra-Cut™ Raised Panel Bit | 99-520 | Ogee | 3-1/2" | 5/8" | 25/32" | 1/2" | 2-1/2" |
| Item Number 97-276 | | | | | | | |
| Rail & Stile Bit Set | 99-761 | Ogee | 1-11/16" | 23/32" | 13/64" | 1/2" | 3-3/4" |
| Quadra-Cut™ Raised Panel Bit | 99-513 | Roman Ogee | 2-3/4" | 5/8" | 7/16" | 1/2" | 2-1/2" |

Cabinet Sets with Backcutters

| Item Number 97-156 (Raised Panel Bit With Backcutters) | | | | | | | |
|---|--------|-----------------------|----------|--------|---------|------|--------|
| Rail & Stile Bit Set | 99-760 | Round Over | 1-11/16" | 11/16" | 7/32" | 1/2" | 3-3/4" |
| Quadra-Cut™ Raised Panel Bit | 99-566 | Bevel with Backcutter | 3-1/2" | 1" | - | 1/2" | 3" |
| Item Number 97-158 (Raised Panel Bit With Backcutters) | | | | | | | |
| Rail & Stile Bit Set | 99-760 | Round Over | 1-11/16" | 11/16" | 7/32" | 1/2" | 3-3/4" |
| Quadra-Cut™ Raised Panel Bit | 99-569 | Cove with Backcutter | 3-1/2" | 1" | 1-1/2" | 1/2" | 3" |
| Item Number 97-258 (Raised Panel Bit With Backcutters) | | | | | | | |
| Rail & Stile Bit Set | 99-761 | Ogee | 1-11/16" | 23/32" | 13/64" | 1/2" | 3-3/4" |
| Quadra-Cut™ Raised Panel Bit | 99-569 | Cove with Backcutter | 3-1/2" | 1" | 1-1/2" | 1/2" | 3" |
| Item Number 97-260 (Raised Panel Bit With Backcutters) | | | | | | | |
| Rail & Stile Bit Set | 99-761 | Ogee | 1-11/16" | 23/32" | 13/64" | 1/2" | 3-3/4" |
| Quadra-Cut™ Raised Panel Bit | 99-571 | Ogee with Backcutter | 3-1/2" | 1" | 1-3/16" | 1/2" | 3" |

Sets Feature
Freud's Premier
Adjustable
Rail & Stile
Bits



97-158

* Solid Carbide

Red Item Numbers Indicate 1/2" Shank

All Profile Drawings 1:1 Scale

ROUTER BIT SETS



3-Piece Premier Adjustable Cabinet Bit Set

USE IN



Table Router

APPLICATION

These sets combine a premier adjustable rail & stile bit set with a Quadra-Cut raised panel bit. Use with stock from 5/8" to 1-1/4" thick.

MATERIALS



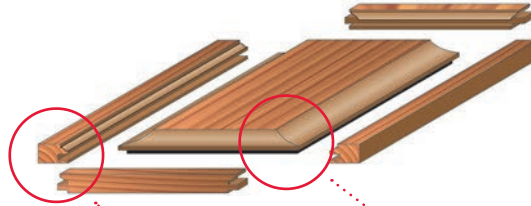
Hardwood

Softwood

MDF

Plywood

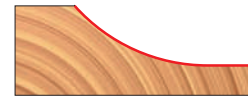
CONTINUED



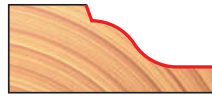
99-760



99-761



99-518



99-513



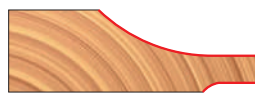
99-515



99-520



99-566



99-569



99-571

ROUTER BIT SETS



5-Piece Premier Adjustable Cabinet Bit Set

USE IN



Table Router

APPLICATION

Produce your own cabinet doors at a fraction of the cost of shaper heads. All sets feature Freud's premier adjustable rail & stile bits. Designed to be used on 5/8" to 1-1/4" stock.

MATERIALS



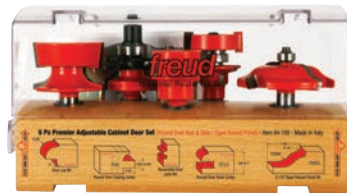
Hardwood

Softwood

MDF

Plywood

| BIT TYPE | ITEM NO. | OVERALL DIA. | CUT DEPTH | SMALL DIA | CARBIDE HEIGHT | MINOR HEIGHT | LARGE RADIUS | SMALL RADIUS | ANGLE | SHANK DIA. | OVERALL LENGTH |
|--------------------------------|----------|--------------|-----------|-----------|----------------|--------------|--------------|--------------|-------|------------|----------------|
| Item Number 94-150 | | | | | | | | | | | |
| Door Lip Bit | 99-001 | 2" | 29/64" | - | 1-1/4" | 11/16" | 3/8" | - | 7° | 1/2" | 2-3/4" |
| Reversible Glue Joint Bit | 99-031 | 1-1/2" | - | 1-3/16" | 1-1/4" | 23/64" | - | - | 30° | 1/2" | 2-3/4" |
| Rail & Stile Bit Set | 99-760 | 1-11/16" | - | - | - | - | 7/32" | - | - | 1/2" | 3-3/4" |
| Raised Panel Bit (Quadra-Cut™) | 99-510 | 2-3/4" | - | - | 5/8" | 7/32" | 35/64" | 1/8" | - | 1/2" | 2-1/2" |



94-150



Sets Feature Freud's Premier Adjustable Rail & Stile Bits



99-760



99-001



99-510



99-031

3-Piece Door Construction Set



ROUTER BIT SETS



USE IN



Table Router

APPLICATION

Create 1-3/4" thick exterior doors, 1-3/8" interior doors, sidelights or transoms in any style and any size. Capable of producing tenons of any length—perfect for load bearing joints! Both bits include shims for fine-tuning the joint for a continued perfect fit. Perfect for milling fine hardwoods and softwoods, and also produces an excellent cut in other materials.



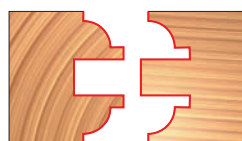
MATERIALS



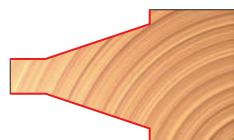
MDF Plywood



| BIT TYPE | ITEM NO. | OVERALL DIA. | CARBIDE HEIGHT | SHANK DIA. | OVERALL LENGTH |
|-----------------------------|----------|--------------|----------------|------------|----------------|
| Item Number 98-300 | | | | | |
| Roundover | 99-267 | 1-3/4" | 1-1/2" | 1/2" | 3" |
| Quadra-Cut Raised Panel Bit | 99-515 | 3-1/2" | 5/8" | 1/2" | 2-1/2" |
| Item Number 98-302 | | | | | |
| Roundover | 99-267 | 1-3/4" | 1-1/2" | 1/2" | 3" |
| Quadra-Cut Raised Panel Bit | 99-518 | 3-1/2" | 5/8" | 1/2" | 2-1/2" |



99-267



99-515



99-518

ROUTER BIT SETS



2-Piece Wide Crown Molding Bit Set

USE IN



Table Router

APPLICATION

Mill your own 5-1/2" wide Crown Molding economically and in your choice of wood and profile. These bits feature a carefully designed shape that lets you mix and match profiles to produce precisely the shape you need – up to nine different profiles from only six bits!

Each 2 pc set includes one popular upper and one lower profile Wide Crown Molding bit.

Mix and match bits for upper and lower profiles to produce nine different designs.

Use only in a router table with minimum 6" high fence, mill in 3 or more passes.

Use featherboards and hold downs to hold stock down & against the fence.

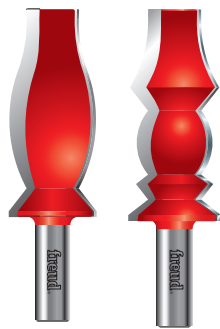
Use pusher blocks or a push stick to feed stock. Make test cuts in scrap stock first.

MATERIALS

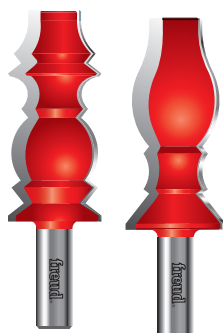
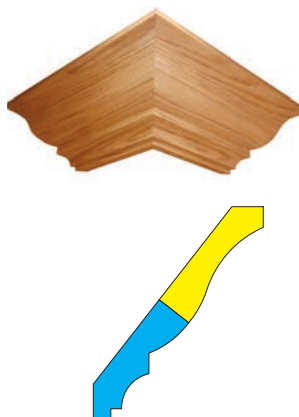


Hardwood Softwood

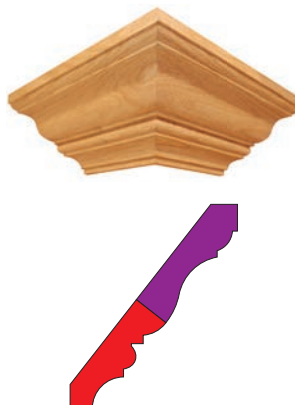
| ITEM NUMBER | PROFILE NUMBER | OVERALL DIA. | CARBIDE HEIGHT | SHANK DIA. | OVERALL LENGTH |
|---------------------------|----------------|--------------|----------------|------------|----------------|
| Item Number 98-507 | | | | | |
| 99-414 | Upper 1 | 1-5/16" | 3" | 1/2" | 4-7/16" |
| 99-417 | Lower 4 | 1-3/8" | 3-1/16" | 1/2" | 4-9/16" |
| Item Number 98-509 | | | | | |
| 99-415 | Upper 2 | 1-3/8" | 3-1/16" | 1/2" | 4-9/16" |
| 99-416 | Lower 3 | 1-13/32" | 3" | 1/2" | 4-7/16" |



98-507



98-509

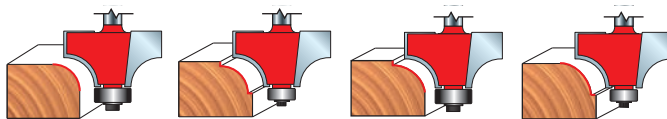
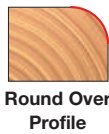


3-Piece Round Over/Beading Bit Sets



ROUTER BIT SETS

| BIT TYPE | ITEM NO. | OVERALL DIA. | BEARING DIA. | CARBIDE HEIGHT | LARGE RADIUS | SHANK DIA. | OVERALL LENGTH |
|---------------------------|----------|--------------|--------------|----------------|--------------|------------|----------------|
| Item Number 89-100 | | | | | | | |
| Rounding Over Bit | 34-108 | 7/8" | 1/2" | 1/2" | 3/16" | 1/4" | 2-3/16" |
| Rounding Over Bit | 34-114 | 1-1/4" | 1/2" | 5/8" | 3/8" | 1/4" | 2-3/16" |
| Rounding Over Bit | 34-116 | 1-1/2" | 1/2" | 3/4" | 1/2" | 1/4" | 2-1/2" |
| Item Number 89-150 | | | | | | | |
| Rounding Over Bit | 34-120 | 1" | 1/2" | 1/2" | 1/4" | 1/2" | 2-1/2" |
| Rounding Over Bit | 34-124 | 1-1/4" | 1/2" | 5/8" | 3/8" | 1/2" | 2-5/8" |
| Rounding Over Bit | 34-126 | 1-1/2" | 1/2" | 3/4" | 1/2" | 1/2" | 2-3/4" |



USE IN



Table Router Hand Router

APPLICATION

Rounding over bits soften the edges of fine furniture, while beading bits produce a simple, decorative edge on furniture and moldings. Includes three rounding over bits and a 3/8" bearing which will convert all three bits into beading bits for the ultimate in value.

MATERIALS



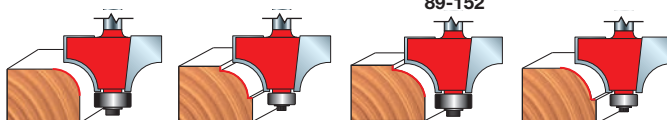
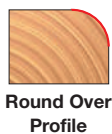
ROUTER BITS

5-Piece Round Over/Beading Bit Sets



ROUTER BIT SETS

| BIT TYPE | ITEM NO. | OVERALL DIA. | BEARING DIA. | CARBIDE HEIGHT | LARGE RADIUS | SHANK DIA. | OVERALL LENGTH |
|---------------------------|----------|--------------|--------------|----------------|--------------|------------|----------------|
| Item Number 89-102 | | | | | | | |
| Rounding Over Bit | 34-104 | 3/4" | 1/2" | 1/2" | 1/8" | 1/4" | 2-3/16" |
| Rounding Over Bit | 34-108 | 7/8" | 1/2" | 1/2" | 3/16" | 1/4" | 2-3/16" |
| Rounding Over Bit | 34-110 | 1" | 1/2" | 1/2" | 1/4" | 1/4" | 2-3/16" |
| Rounding Over Bit | 34-114 | 1-1/4" | 1/2" | 5/8" | 3/8" | 1/4" | 2-3/16" |
| Rounding Over Bit | 34-116 | 1-1/2" | 1/2" | 3/4" | 1/2" | 1/4" | 2-1/2" |
| Item Number 89-152 | | | | | | | |
| Rounding Over Bit | 34-118 | 3/4" | 1/2" | 1/2" | 1/8" | 1/2" | 2-1/2" |
| Rounding Over Bit | 34-120 | 1" | 1/2" | 1/2" | 1/4" | 1/2" | 2-1/2" |
| Rounding Over Bit | 34-124 | 1-1/4" | 1/2" | 5/8" | 3/8" | 1/2" | 2-5/8" |
| Rounding Over Bit | 34-126 | 1-1/2" | 1/2" | 3/4" | 1/2" | 1/2" | 2-3/4" |
| Rounding Over Bit | 34-128 | 2" | 1/2" | 1" | 3/4" | 1/2" | 2-7/8" |



USE IN



Table Router Hand Router

APPLICATION

Similar to the Three Piece Sets, these sets offer additional profiles for a wider range of applications. Includes five rounding over bits and a 3/8" bearing which will convert all five bits into beading bits for the ultimate in value.

MATERIALS



* Solid Carbide

Red Item Numbers Indicate 1/2" Shank

All Profile Drawings 1:1 Scale

ROUTER BIT SETS



8-Piece Bit Sets for Incra Jig®

USE IN



Table Router



Hand Router

CNC

APPLICATION

Create dovetail and box joints by combining these bits with your table-mounted router and an Incra Jig®

MATERIALS



Hardwood Softwood



MDF Plywood

ROUTER BITS

| BIT TYPE | ITEM NO. | OVERALL DIA. | CARBIDE HEIGHT | ANGLE | SHANK DIA. | OVERALL LENGTH |
|----------------------------|----------|--------------|----------------|--------|------------|----------------|
| Item Number 96-100 | | | | | | |
| Double Flute Straight Bit* | 04-106 | 1/4" | 3/4" | - | 1/4" | 2-1/4" |
| Double Flute Straight Bit | 04-124 | 3/8" | 1" | - | 1/4" | 2-1/2" |
| Dovetail Bit | 22-100 | 1/4" | 5/16" | 7-1/2° | 1/4" | 2" |
| Dovetail Bit | 22-101 | 5/16" | 3/8" | 9° | 1/4" | 1-7/8" |
| Dovetail Bit | 22-102 | 3/8" | 3/8" | 9° | 1/4" | 1-7/8" |
| Dovetail Bit | 22-104 | 1/2" | 1/2" | 14° | 1/4" | 1-7/8" |
| Dovetail Bit | 22-105 | 3/8" | 7/8" | 7° | 1/4" | 2-1/8" |
| Dovetail Bit | 22-106 | 3/4" | 7/8" | 7° | 1/4" | 2-1/8" |
| Item Number 96-102 | | | | | | |
| Double Flute Straight Bit | 12-100 | 1/4" | 3/4" | - | 1/2" | 2-3/8" |
| Double Flute Straight Bit | 12-108 | 3/8" | 1" | - | 1/2" | 2-5/8" |
| Dovetail Bit | 22-107 | 1/4" | 5/16" | 7-1/2° | 1/2" | 2-5/8" |
| Dovetail Bit | 22-108 | 5/16" | 3/8" | 9° | 1/2" | 2-1/8" |
| Dovetail Bit | 22-110 | 3/8" | 3/8" | 9° | 1/2" | 2-1/4" |
| Dovetail Bit | 22-112 | 1/2" | 1/2" | 14° | 1/2" | 2-1/4" |
| Dovetail Bit | 22-113 | 5/8" | 7/8" | 7° | 1/2" | 2-5/8" |
| Dovetail Bit | 22-114 | 3/4" | 7/8" | 7° | 1/2" | 2-5/8" |



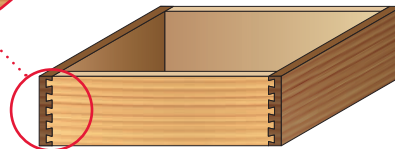
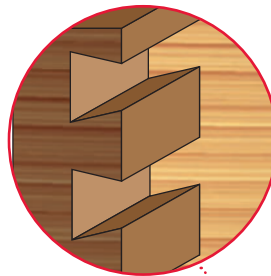
96-100



Double Flute Straight Bit Profile

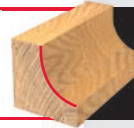


Dovetail Bit Profile



Incra Jig® is a registered Trademark of Taylor Design Group

3-Piece Cove Bit Sets



ROUTER BIT SETS

| BIT TYPE | ITEM NO. | OVERALL DIA. | BEARING DIA. | CARBIDE HEIGHT | LARGE RADIUS | SHANK DIA. | OVERALL LENGTH |
|--------------------|----------|--------------|--------------|----------------|--------------|------------|----------------|
| Item Number 89-550 | | | | | | | |
| Cove Bit | 30-110 | 1" | 1/2" | 1/2" | 1/4" | 1/2" | 2-1/2" |
| Cove Bit | 30-112 | 1-1/4" | 1/2" | 1/2" | 3/8" | 1/2" | 2-1/2" |
| Cove Bit | 30-114 | 1-1/2" | 1/2" | 5/8" | 1/2" | 1/2" | 2-1/2" |



Cove Bit Profile



89-550

USE IN



Table Router Hand Router

APPLICATION

Produces classical decorative edge on furniture and moldings. Includes 1/4", 3/8" and 1/2" radius cove bits and an attractive wooden storage box.

MATERIALS



Hardwood

Softwood

MDF

Plywood

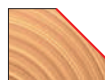
ROUTER BITS

3-Piece Chamfer Bit Set



ROUTER BIT SETS

| BIT TYPE | ITEM NO. | OVERALL DIA. | BEARING DIA. | CARBIDE HEIGHT | ANGLE | SHANK DIA. | OVERALL LENGTH |
|--------------------|----------|--------------|--------------|----------------|---------|------------|----------------|
| Item Number 89-250 | | | | | | | |
| Chamfer Bit | 40-101 | 1-1/4" | 1/2" | 7/8" | 22-1/2° | 1/2" | 2-5/8" |
| Chamfer Bit | 40-114 | 1-3/4" | 1/2" | 1/2" | 45° | 1/2" | 2-9/16" |
| Chamfer Bit | 40-206 | 1-11/32" | 1/2" | 3/4" | 30° | 1/2" | 2-3/4" |



Chamfer Bit Profile



89-250

USE IN



Table Router Hand Router

APPLICATION

Chamfer bits maintain crisp, geometric lines while forming a uniform bevel on the edge of the work piece. Includes 22-1/2°, 30° and 45° chamfer bits and an attractive wooden storage box.

MATERIALS



Hardwood

Softwood

MDF

Plywood



ROUTER BIT SETS



6-Piece Straight Bit Set

USE IN



Table Router Hand Router

APPLICATION

Allows you to make grooves, dados, and rabbets. Set includes bits with diameters ranging from 1/4", 3/8", 1/2", 5/8", 3/4", and 1".

MATERIALS



ROUTER BITS

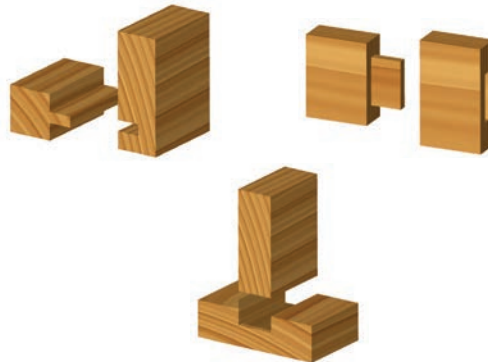
| BIT TYPE | ITEM NO. | OVERALL DIA. | CARBIDE HEIGHT | SHANK DIA. | OVERALL LENGTH |
|---------------------------|----------|--------------|----------------|------------|----------------|
| Item Number 91-102 | | | | | |
| Double Flute Straight Bit | 12-100 | 1/4" | 3/4" | 1/2" | 2-3/8" |
| Double Flute Straight Bit | 12-108 | 3/8" | 1" | 1/2" | 2-5/8" |
| Double Flute Straight Bit | 12-116 | 1/2" | 1" | 1/2" | 2-5/8" |
| Double Flute Straight Bit | 12-136 | 5/8" | 1" | 1/2" | 2-1/2" |
| Double Flute Straight Bit | 12-152 | 3/4" | 1" | 1/2" | 2-1/2" |
| Double Flute Straight Bit | 12-172 | 1" | 1-1/4" | 1/2" | 3" |



91-102



Double Flute Straight Bit Profile

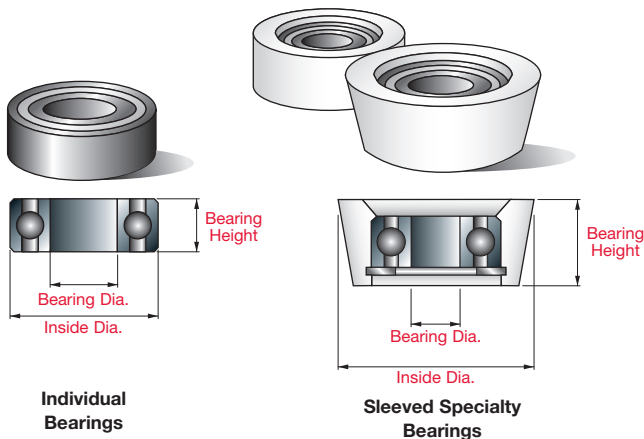
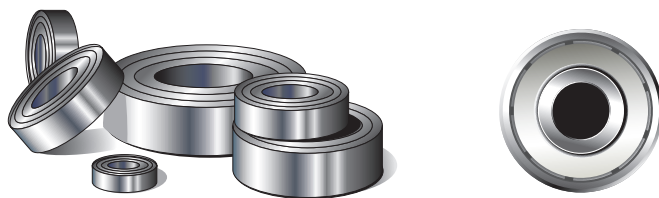


Ball Bearings

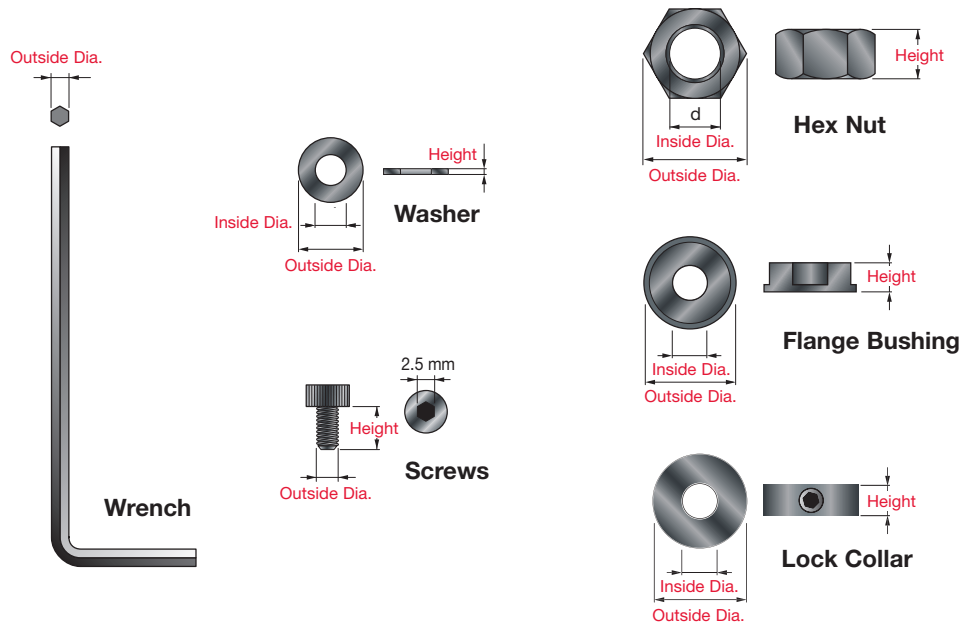
ROUTER BIT SETS

ROUTER BITS

| ITEM NUMBER | INSIDE DIA. | BEARING DIA. | BEARING HEIGHT |
|-----------------------------------|--|--------------|----------------|
| Individual Bearings | | | |
| 62-100 | 1/8" | 3/8" | 5/32" |
| 62-102 | 3/16" | 3/8" | 1/8" |
| 62-103 | 1/4" | 1/2" | 3/16" |
| 62-104 | 3/16" | 1/2" | 3/16" |
| 62-105 | 10mm | 19mm | 7mm |
| 62-106 | 1/4" | 3/4" | 9/32" |
| 62-107 | 5/16" | 7/8" | 9/32" |
| 62-108 | 8mm | 22mm | 7mm |
| 62-109 | 15mm | 35mm | 11mm |
| 62-111 | 15mm | 32mm | 9mm |
| 62-112 | 1/4" | 5/8" | 3/16" |
| 62-113 | 3/16" | 5/8" | 3/16" |
| 62-114 | 1/2" | 1-1/8" | 5/16" |
| 62-116 | 1/2" | 1-3/8" | 7/16" |
| 62-118 | 10mm | 26mm | 8mm |
| Sleeved Specialty Bearings | | | |
| 62-110 | 3/16" | 3/4" | 5/16" |
| 62-120 | 5/16" | 1" | 10mm |
| 62-121 | 5/16" | 1-1/4" | 10mm |
| 62-122 | 5/16" | 1-1/2" | 10mm |
| 62-124 | 5/16" | 26mm | 7mm |
| 62-128 | 5/16" | 30mm | 7mm |
| 62-136 | 17mm | 2 | 10mm |
| 62-139 | 1/2" | 1-1/2" | 5/16" |
| 62-144 | 3/16" | 3/4" | 12mm |
| 62-146 | 3/16" | 7/8" | 12mm |
| 62-148 | 3/16" | 1-1/8" | 12mm |
| 62-150 | 3/16" | 1-3/8" | 12mm |
| Packages of Bearings | | | |
| 62-XXX | Assorted Ball Bearing Set Contains: (1) #62-102, (2) #62-104, (1) #62-108, & (1 wrench) #62-402 | | |



| ITEM NO. | DESCRIPTION | OUTSIDE DIA. | HEIGHT | WRENCH SIZE | INSIDE DIA. |
|----------|------------------|--------------|--------|-------------|-------------|
| 62-303 | Cap Screw | 3mm | 6mm | 2.5mm | - |
| 62-304 | Long Cap Screw | 3mm | 12mm | 2.5mm | - |
| 62-305 | Hex Nut | 5/16-24UNF | 17/64" | 1/2" | - |
| 62-306 | Medium Cap Screw | 3mm | 8mm | 2.5mm | - |
| 62-307 | Washer | - | - | - | 3mm |
| 62-309 | Washer | - | - | - | 5/16" |
| 62-311 | Washer | - | - | - | 3/8" |
| 62-313 | Washer | - | - | - | 1/2" |
| 62-321 | Flange Bushing | 1/4" | 3/16" | - | 3/16" |
| 62-323 | Flange Bushing | 5/16" | 1/8" | - | 3/16" |
| 62-325 | Flange Bushing | 1/2" | 1/8" | - | 3/16" |
| 62-331 | Lock Collar | 15/32" | 5/32" | - | 1/4" |
| 62-402 | Wrench | - | - | 2.5mm | - |



Ball Bearing Replacement Chart

REPLACEMENT PARTS

Ball Bearing Reference Guide For All Other Freud Router Bits

Ball Bearing Reference Guide For Quadra-Cut™ 4 Cutter Router Bits

| ITEM NO. | BEARING NO. | ITEM NO. | BEARING NO. | ITEM NO. | BEARING NO. | ITEM NO. | BEARING NO. | ITEM NO. | BEARING NO. | ITEM NO. | BEARING NO. | ITEM NO. | BEARING NO. |
|----------|-------------|----------|-------------|----------|-------------|----------|-------------|----------|-------------|----------|-------------|----------|-------------|
| 16-500 | 62-103 | 34-132 | 62-104 | 38-622 | 62-102 | 48-102 | 62-104 | 85-019 | 62-104 | 34-110 | 62-113 | 36-138 | 62-102 |
| 16-502 | 62-112 | 34-134 | 62-104 | 38-632 | 62-102 | 48-112 | 62-104 | 85-021 | 62-106 | 34-112 | 62-113 | 36-140 | 62-102 |
| 16-504 | 62-105 | 34-136 | 62-104 | 39-502 | 62-105 | 50-101 | 62-103 | 85-023 | 62-112 | 34-114 | 62-113 | 38-100 | 62-104 |
| 16-510 | 62-105 | 34-138 | 62-104 | 39-504 | 62-130 | 50-102 | 62-103 | 85-025 | 62-104 | 34-116 | 62-104 | 38-102 | 62-102 |
| 16-522 | 62-142 | 34-140 | 62-104 | 39-506 | 62-132 | 50-103 | 62-112 | 85-027 | 62-106 | 34-117 | 62-104 | 38-104 | 62-113 |
| 16-523 | 62-142 | 36-100 | 62-102 | 39-512 | 62-105 | 50-104 | 62-112 | 85-029 | 62-112 | 34-118 | 62-104 | 38-106 | 62-113 |
| 16-524 | 62-142 | 36-104 | 62-102 | 39-514 | 62-130 | 50-106 | 62-105 | 85-031 | 62-104 | 34-119 | 62-104 | 38-152 | 62-104 |
| 18-508 | 62-103 | 36-106 | 62-102 | 39-516 | 62-132 | 50-122 | 62-114 | 99-002 | 62-104 | 34-120 | 62-106 | 38-154 | 62-104 |
| 18-510 | 62-112 | 36-108 | 62-102 | 39-522 | 62-105 | 50-126 | 62-111 | 99-003 | 62-102 | 34-122 | 62-106 | 38-172 | 62-106 |
| 18-512 | 62-106 | 36-110 | 62-102 | 39-524 | 62-130 | 50-130 | 62-139 | 99-005 | 62-104 | 34-124 | 62-106 | 38-222 | 62-112 |
| 19-506 | 62-106 | 36-112 | 62-102 | 39-526 | 62-132 | 50-138 | 62-136 | 99-006 | 62-104 | 34-126 | 62-113 | 38-224 | 62-104 |
| 19-578 | 62-114 | 36-114 | 62-102 | 39-532 | 62-105 | 60-120 | 62-108 | 99-008 | 62-104 | 34-127 | 62-113 | 38-312 | 62-113 |
| 20-574 | 62-114 | 36-116 | 62-102 | 39-534 | 62-130 | 60-122 | 62-108 | 99-009 | 62-102 | 34-128 | 62-104 | 38-314 | 62-104 |
| 20-502 | 62-103 | 36-117 | 62-102 | 39-536 | 62-132 | 63-100 | 62-108 | 99-010 | 62-104 | 34-130 | 62-104 | 38-352 | 62-113 |
| 22-505 | 62-112 | 36-118 | 62-102 | 39-578 | 62-140 | 63-104 | 62-108 | 99-011 | 62-104 | 34-132 | 62-104 | 38-362 | 62-113 |
| 22-506 | 62-105 | 36-119 | 62-102 | 39-580 | 62-139 | 63-108 | 62-108 | 99-012 | 62-104 | 34-134 | 62-104 | 38-612 | 62-106 |
| 22-507 | 62-105 | 36-120 | 62-102 | 40-094 | 62-104 | 63-109 | 62-108 | 99-013 | 62-104 | 34-136 | 62-104 | 38-614 | 62-106 |
| 30-094 | 62-102 | 36-122 | 62-102 | 40-098 | 62-104 | 63-110 | 62-108 | 99-014 | 62-104 | 34-138 | 62-104 | 38-632 | 62-113 |
| 30-098 | 62-102 | 36-124 | 62-102 | 40-100 | 62-104 | 63-111 | 62-108 | 99-015 | 62-104 | 34-140 | 62-104 | 99-003 | 62-113 |
| 30-100 | 62-102 | 36-126 | 62-102 | 40-101 | 62-104 | 63-112 | 62-108 | 99-016 | 62-104 | 36-110 | 62-104 | 99-005 | 62-106 |
| 30-102 | 62-102 | 36-127 | 62-102 | 40-102 | 62-104 | 63-150 | 62-108 | 99-020 | 62-104 | 36-112 | 62-104 | 99-006 | 62-113 |
| 30-103 | 62-104 | 36-128 | 62-102 | 40-104 | 62-104 | 63-154 | 62-108 | 99-021 | 62-104 | 36-114 | 62-104 | 99-009 | 62-113 |
| 30-104 | 62-104 | 36-130 | 62-102 | 40-106 | 62-104 | 63-156 | 62-108 | 99-022 | 64-104 | 36-116 | 62-102 | 99-010 | 62-113 |
| 30-106 | 62-104 | 36-132 | 62-102 | 40-114 | 62-104 | 63-158 | 62-108 | 99-023 | 62-108 | 36-117 | 62-102 | 99-011 | 62-104 |
| 30-107 | 62-104 | 36-134 | 62-102 | 40-118 | 62-104 | 63-159 | 62-108 | 99-024 | 62-108 | 36-118 | 62-102 | 99-027 | 62-104 |
| 30-108 | 62-104 | 36-136 | 62-102 | 40-202 | 62-104 | 63-160 | 62-108 | 99-025 | 62-108 | 36-119 | 62-102 | 99-450 | 62-104 |
| 30-109 | 62-104 | 36-138 | 62-102 | 40-206 | 62-104 | 63-161 | 62-108 | 99-027 | 62-104 | 36-120 | 62-113 | 99-452 | 62-104 |
| 30-110 | 62-104 | 36-140 | 62-102 | 41-102 | 62-104 | 63-162 | 62-108 | 99-028 | 62-114 | 36-122 | 62-112 | 99-510 | 62-104 |
| 30-111 | 62-104 | 38-100 | 62-102 | 41-104 | 62-104 | 80-102 | 62-104 | 99-029 | 62-108 | 36-122 | 62-113 | 99-511 | 62-104 |
| 30-112 | 62-104 | 38-102 | 62-102 | 41-106 | 62-104 | 80-104 | 62-104 | 99-030 | 62-108 | 36-124 | 62-112 | 99-512 | 62-104 |
| 30-114 | 62-104 | 38-104 | 62-102 | 41-108 | 62-102 | 80-106 | 62-104 | 99-035 | 62-108 | 36-124 | 62-113 | 99-513 | 62-104 |
| 30-202 | 62-104 | 38-106 | 62-102 | 41-110 | 62-104 | 80-108 | 62-104 | 99-039 | 62-109 | 36-126 | 62-104 | 99-515 | 62-104 |
| 32-096 | 62-104 | 38-152 | 62-104 | 41-402 | 62-112 | 80-122 | 62-104 | 99-041 | 62-108 | 36-126 | 62-102 | 99-516 | 62-104 |
| 32-098 | 62-104 | 38-154 | 62-104 | 42-080 | 62-108 | 80-124 | 62-104 | 99-041 | 62-124 | 36-127 | 62-104 | 99-518 | 62-104 |
| 32-100 | 62-104 | 38-202 | 62-102 | 42-090 | 62-106 | 80-126 | 62-104 | 99-041 | 62-128 | 36-128 | 62-102 | 99-519 | 62-104 |
| 32-101 | 62-102 | 38-204 | 62-102 | 42-100 | 62-102 | 80-128 | 62-104 | 99-044 | 62-104 | 36-130 | 62-102 | 99-520 | 62-104 |
| 32-102 | 62-104 | 38-250 | 62-102 | 42-102 | 62-102 | 80-130 | 62-104 | 99-051 | 62-108 | 36-132 | 62-102 | 99-521 | 62-104 |
| 32-106 | 62-102 | 38-252 | 62-102 | 42-104 | 62-104 | 80-552 | 62-112 | 99-060 | 62-104 | 36-134 | 62-102 | 99-522 | 62-104 |
| 32-110 | 62-102 | 38-260 | 62-102 | 42-106 | 62-104 | 80-558 | 62-106 | 99-061 | 62-104 | 36-136 | 62-102 | 99-523 | 62-104 |
| 32-526 | 62-505 | 38-262 | 62-102 | 42-108 | 62-104 | 80-564 | 62-106 | 99-062 | 62-104 | | | | |
| 33-106 | 62-104 | 38-270 | 62-104 | 42-109 | 62-104 | 80-572 | 62-112 | 99-066 | 62-104 | | | | |
| 33-116 | 62-104 | 38-280 | 62-104 | 42-110 | 62-104 | 80-578 | 62-106 | 99-250 | 62-108 | | | | |
| 34-100 | 62-104 | 38-282 | 62-104 | 42-114 | 62-104 | 80-584 | 62-106 | 99-251 | 62-108 | | | | |
| 34-104 | 62-104 | 38-302 | 62-102 | 42-116 | 62-104 | 82-510 | 62-112 | 99-253 | 62-108 | | | | |
| 34-106 | 62-104 | 38-304 | 62-102 | 42-118 | 62-106 | 82-512 | 62-112 | 99-260 | 62-108 | | | | |
| 34-108 | 62-104 | 38-312 | 62-102 | 43-106 | 62-106 | 82-514 | 62-106 | 99-261 | 62-108 | | | | |
| 34-110 | 62-104 | 38-314 | 62-102 | 43-108 | 62-106 | 82-515 | 62-106 | 99-263 | 62-108 | | | | |
| 34-112 | 62-104 | 38-352 | 62-104 | 43-128 | 62-106 | 84-106 | 62-112 | 99-288 | 62-121 | | | | |
| 34-114 | 62-104 | 38-362 | 62-104 | 43-204 | 62-106 | 84-126 | 62-112 | 99-281 | 62-121 | | | | |
| 34-116 | 62-104 | 38-402 | 62-104 | 43-208 | 62-106 | 85-001 | 62-110 | 99-283 | 62-121 | | | | |
| 34-117 | 62-104 | 38-452 | 62-102 | 43-212 | 62-106 | 85-003 | 62-110 | 99-442 | 62-112 | | | | |
| 34-118 | 62-104 | 38-502 | 62-104 | 43-216 | 62-106 | 85-005 | 62-110 | 99-444 | 62-112 | | | | |
| 34-119 | 62-104 | 38-504 | 62-104 | 44-100 | 62-104 | 85-007 | 62-110 | 99-446 | 62-104 | | | | |
| 34-120 | 62-104 | 38-522 | 62-102 | 44-102 | 62-104 | 85-009 | 62-110 | 99-450 | 62-104 | | | | |
| 34-122 | 62-104 | 38-524 | 62-104 | 44-104 | 62-104 | 85-011 | 62-106 | 99-452 | 62-104 | | | | |
| 34-124 | 62-104 | 38-602 | 62-102 | 44-108 | 62-104 | 85-013 | 62-106 | 99-472 | 62-104 | | | | |
| 34-126 | 62-104 | 38-612 | 62-104 | 45-502 | 62-132 | 85-015 | 62-106 | 99-PKJ | 62-104 | | | | |
| 34-127 | 62-104 | 38-614 | 62-104 | 45-522 | 62-132 | 85-017 | 62-112 | 99-PK1 | 62-104 | | | | |
| 34-128 | 62-104 | | | | | | | | | | | | |
| 34-130 | 62-104 | | | | | | | | | | | | |

ROUTER BITS

* Solid Carbide

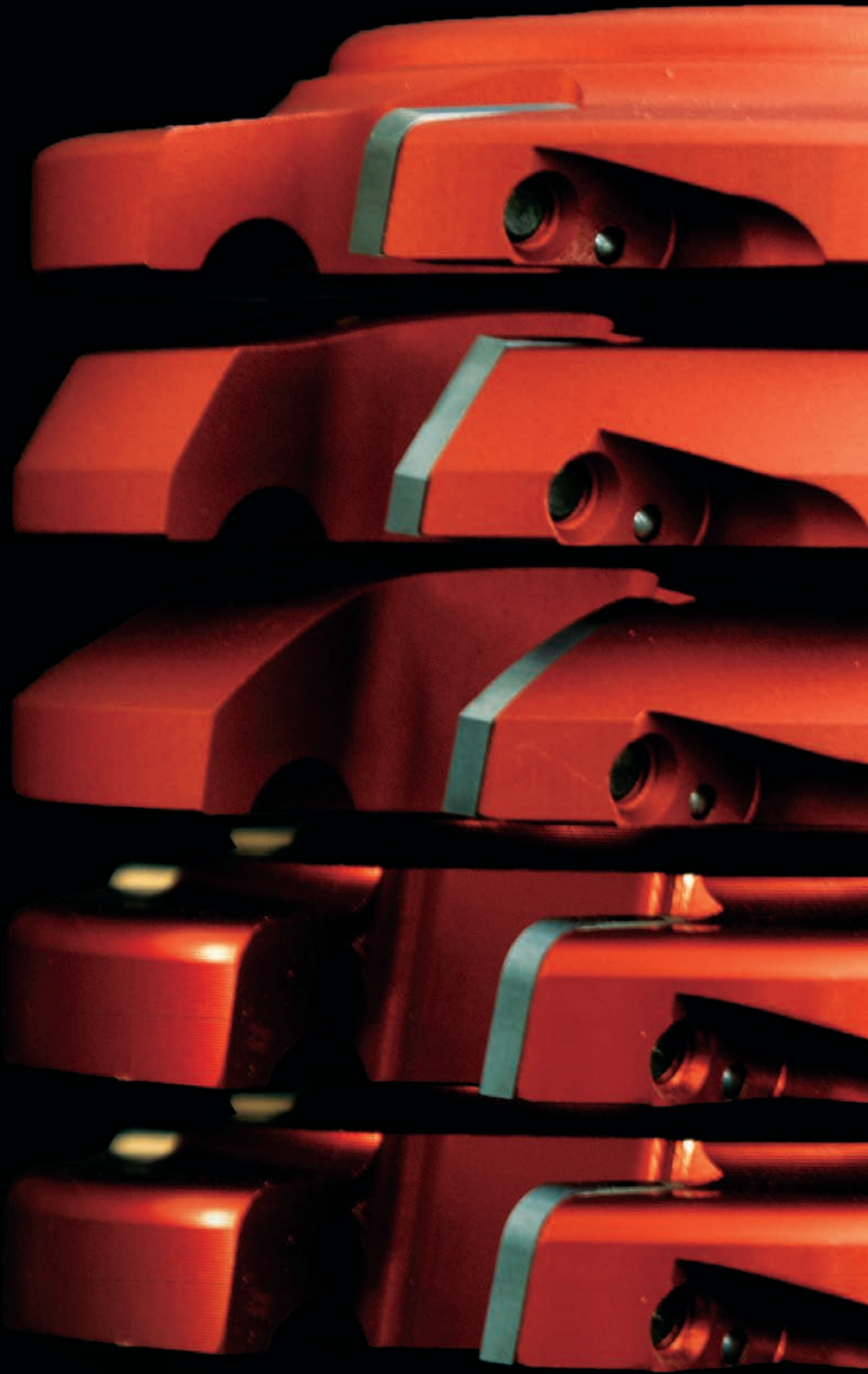
Red Item Numbers Indicate 1/2" Shank

All Profile Drawings 1:1 Scale

SHAPER CUTTERS

Freud's Shaper Cutters and Performance System® Cutters are recognized for their versatility, quality, and innovation. Freud offers the flexibility to choose from a premium cutter that fits every need. The conventional fixed wing shaper cutters and Performance Systems® Cutters with re-sharpenable inserts both feature Freud's exclusive TiCo™ Hi-Density Carbide, Kickback Reducing Design, Shear Angle, and Multi-Axis grinding.

*Freud shaper cutters
– Precisely The Best.*



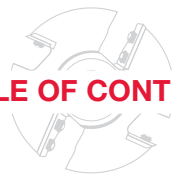


TABLE OF CONTENTS

Fixed Wing Cutters

| | |
|---------|---|
| 276-277 | Straight Edge Cutter |
| 277 | Groovers |
| 278 | Wedge Tongue & Groove Cutters |
| 278 | Reversible Glue Joint Cutter |
| 279 | Glue Joint Cutters |
| 280 | Tongue & Groove Lock Miter Cutters |
| 280 | Drawer Lock Cutters |
| 281 | V Paneling Cutter Set |
| 282-283 | Door Lip Cutters |
| 284 | Combination 1/4" & 1/2" Round Over Cutters |
| 285 | Convex Radius Cutters |
| 286 | Concave Radius Cutters |
| 287 | Combination Convex & Concave Cutters |
| 288 | Roman Ogee Cutters |
| 288-289 | Matched Reverse Detail Cutters |
| 290-291 | 3/4" Stock Male & Female Cabinet Door Cutter Set |
| 292-293 | 1" Stock Male & Female Door Cutter Set |
| 293-295 | 1-3/8" Stock Male & Female Interior Door Cutter Set |
| 296-299 | 1-3/4" Stock Male & Female Exterior Door Cutter Set |
| 300 | Freud Innovation - 2+2 Advance Cutter Design |
| 301-303 | 2+2 Advanced Cutter Design for 5/8" Stock |
| 304 | Backcutter for 2+2 Advanced Cutter Design |
| 305-308 | 2+2 Advanced Cutter Design for 3/4" Stock |
| 309 | 2+2 Advanced Cutter Design for Double Sided Panels |
| 309 | Vertical Raised Panel Cutter |
| 310 | Duplex Multi-Profile Raised Panel Cutter |

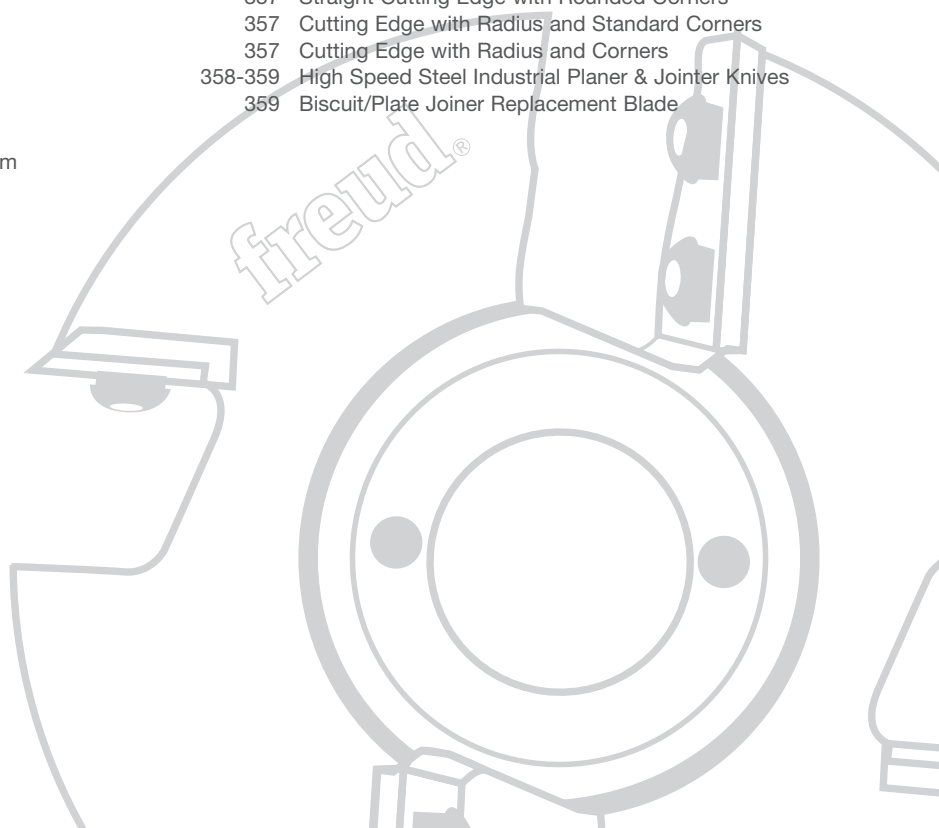
Performance System® Cutters

| | |
|---------|--|
| 311 | Performance Advantage |
| 312-319 | RP1000 & RP2000 Panel Raising Systems |
| 313 | Profile Knife RP-A |
| 314 | Profile Knife RP-A34 |
| 314 | Profile Knife RP-B |
| 315 | Profile Knife RP-B34 |
| 315 | Profile Knife RP-C |
| 316 | Profile Knife RP-C34 |
| 316 | Profile Knife RP-D |
| 317 | Profile Knife RP-D34 |
| 317 | Profile Knife RP-E |
| 318 | Profile Knife RP-E34 |
| 319 | RP-OPS Back-Cutter for Raised Panels |
| 319 | RP-OPB Back-Cutter for Raised Panels |
| 320-339 | RS1000 & RS2000 Rail & Stile Door System |
| 322 | Profile Knife RS-A Raised Panel Door |
| 323 | Profile Knife RS-A Glass Panel Door |
| 324 | Profile Knife RS-B Raised Panel Door |
| 325 | Profile Knife RS-B Glass Panel Door |
| 326 | Profile Knife RS-C Raised Panel Door |
| 327 | Profile Knife RS-C Glass Panel Door |
| 328 | Profile Knife RS-D Raised Panel Door |
| 329 | Profile Knife RS-D Glass Panel Door |
| 330 | Profile Knife RS-E Raised Panel Door |
| 331 | Profile Knife RS-E Glass Panel Door |
| 332 | Profile Knife RS-F Raised Panel Door |
| 333 | Profile Knife RS-F Glass Panel Door |
| 334 | Profile Knife RS-G Raised Panel Door |
| 335 | Profile Knife RS-G Glass Panel Door |

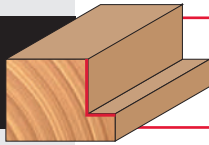
| | |
|---------|--|
| 336 | Profile Knife RS-H Raised Panel Door |
| 337 | Profile Knife RS-H Glass Panel Door |
| 338 | Profile Knife RS-I Raised Panel Door |
| 339 | Profile Knife RS-I Glass Panel Door |
| 340 | One Piece Door Edge Profile Cutters |
| 341-346 | Two Piece Door Edge Profile Cutters |
| 341 | Profile Knife DE32-A |
| 342 | Profile Knife DE32-B |
| 342 | Profile Knife DE32-C |
| 343 | Profile Knife DE32-D |
| 343 | Profile Knife DE32-E |
| 344 | Profile Knife DE32-F |
| 344 | Profile Knife DE32-G |
| 345 | Profile Knife DE32-H |
| 345 | Profile Knife DE32-I |
| 346 | Profile Knife DE32-J |
| 346 | Profile Knife DE32-K |
| 346 | Profile Knife DE32-L |
| 346 | Profile Knife DE32-M |
| 347 | Concave Radius Knives & Head |
| 348 | Combination QTR Round Convex & Concave |

Parts & Accessories

| | |
|---------|--|
| 349 | Bushing Selection |
| 350 | Flange Bushings |
| 350 | Center Cutter Bushings |
| 351 | Cassette 65 Bushings |
| 351 | Woodworking Box Bushings |
| 352 | Precision Shim Sets |
| 352 | Rub Collar Setup & Selection Chart |
| 353 | Ball Bearing Rub Collars |
| 353 | Ball Bearing Rub Collars Reference Chart |
| 354 | RP2000 Raised Panel System Replacement Knives |
| 355 | RS2000 Rail and Stile Door System Replacement Knives |
| 356-357 | Carbide Insert Knives |
| 356 | Straight Knives - Turnover Knives |
| 357 | Straight Cutting Edge with Rounded Corners |
| 357 | Cutting Edge with Radius and Standard Corners |
| 357 | Cutting Edge with Radius and Corners |
| 358-359 | High Speed Steel Industrial Planer & Jointer Knives |
| 359 | Biscuit/Plate Joiner Replacement Blade |



FIXED WING CUTTER



Straight Edge Cutters

USE IN



Shaper Machine

APPLICATION

Computer balanced for super smooth, chatter-free cutting. Straight profile for making precise rabbets and dados.

MATERIALS



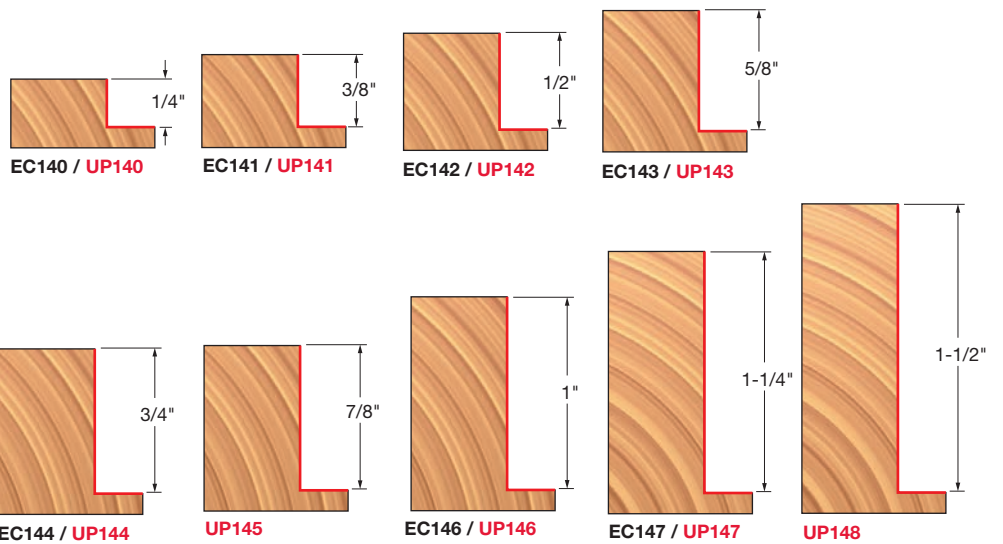
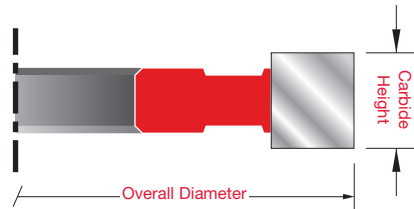
Hardwood

Softwood

MDF

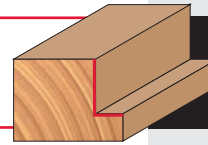
Plywood

| ITEM NUMBER | OVERALL DIA. | CARBIDE HEIGHT | BORE DIA. | RUB COLLAR NUMBER |
|-------------|--------------|----------------|-----------|-------------------|
| EC140 | 2-7/8" | 1/4" | 3/4" | RC-003 |
| EC141 | 2-7/8" | 3/8" | 3/4" | RC-003 |
| EC142 | 2-7/8" | 1/2" | 3/4" | RC-003 |
| EC143 | 2-7/8" | 5/8" | 3/4" | RC-003 |
| EC144 | 2-7/8" | 3/4" | 3/4" | RC-003 |
| EC146 | 2-7/8" | 1" | 3/4" | RC-003 |
| UP140 | 3-9/16" | 1/4" | 1-1/4" | RC50# |
| UP141 | 3-9/16" | 3/8" | 1-1/4" | RC50# |
| UP142 | 3-9/16" | 1/2" | 1-1/4" | RC50# |
| UP143 | 3-9/16" | 5/8" | 1-1/4" | RC50# |
| UP144 | 3-9/16" | 3/4" | 1-1/4" | RC50# |
| UP145 | 3-9/16" | 7/8" | 1-1/4" | RC50# |
| UP146 | 3-9/16" | 1" | 1-1/4" | RC50# |
| UP147 | 3-9/16" | 1-1/4" | 1-1/4" | RC50# |
| UP148 | 3-9/16" | 1-1/2" | 1-1/4" | RC50# |
| UP149 | 3-9/16" | 1-3/4" | 1-1/4" | RC50# |
| UP150 | 3-9/16" | 2" | 1-1/4" | RC50# |
| UP151 | 3-9/16" | 2-1/4" | 1-1/4" | RC50# |
| UP152 | 3-9/16" | 2-1/2" | 1-1/4" | RC50# |
| UP153 | 3-9/16" | 3" | 1-1/4" | RC50# |



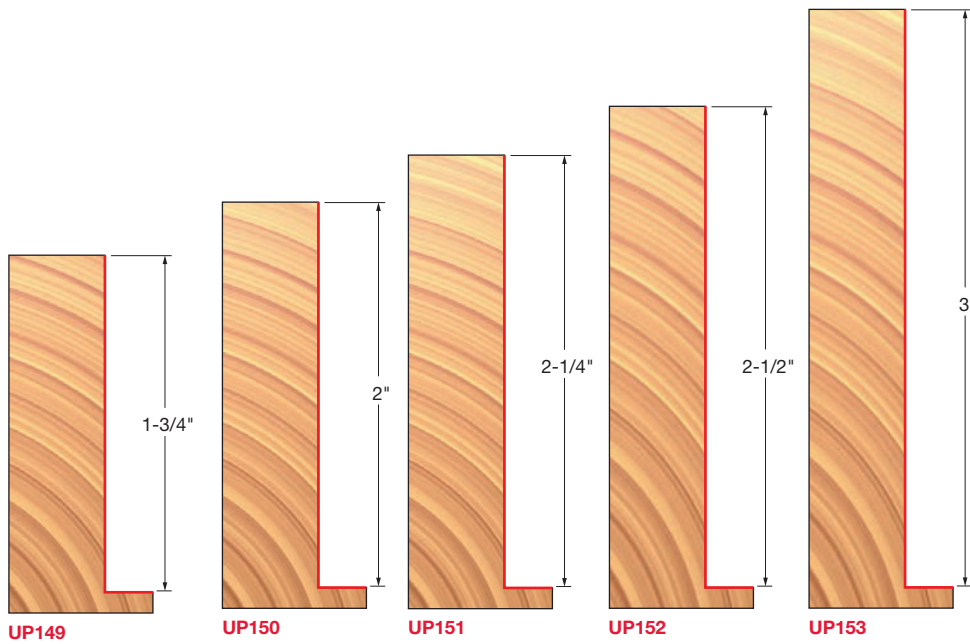
SHAPER CUTTERS

Straight Edge Cutters



FIXED WING CUTTER

CONTINUED



USE IN



Shaper Machine

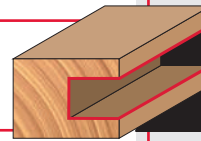
APPLICATION

Computer balanced for super smooth, chatter-free cutting. Straight profile for making precise rabbets and dados.

MATERIALS



Groovers



FIXED WING CUTTER

| ITEM NUMBER | OVERALL DIA. | NUMBER OF WINGS | CARBIDE HEIGHT | BORE DIA. |
|-------------|--------------|-----------------|----------------|-----------|
| UP171 | 4" | 6 | 1/4" | 1-1/4" |
| UP172 | 4" | 6 | 3/8" | 1-1/4" |
| UP173 | 4" | 6 | 1/2" | 1-1/4" |
| UP174 | 4" | 6 | 3/4" | 1-1/4" |
| UP176 | 6" | 8 | 1/4" | 1-1/4" |
| UP177 | 6" | 8 | 3/8" | 1-1/4" |
| UP178 | 6" | 8 | 1/2" | 1-1/4" |
| UP179 | 6" | 8 | 3/4" | 1-1/4" |
| UP182 | 8" | 12 | 3/8" | 1-1/4" |
| UP183 | 8" | 12 | 1/2" | 1-1/4" |
| UP184 | 8" | 12 | 3/4" | 1-1/4" |

USE IN

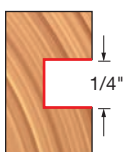
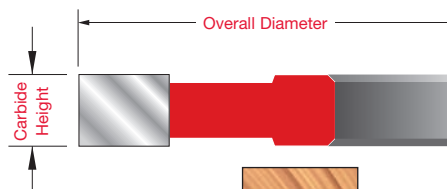


Shaper Machine

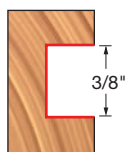
APPLICATION

Excellent for use on shapers and cope spindles of double end tenoners

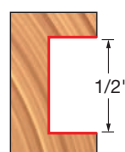
MATERIALS



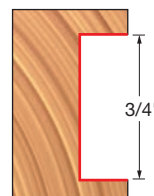
UP171 / UP176



UP172 / UP177 / UP182



UP173 / UP178 / UP183



UP174 / UP179 / UP184

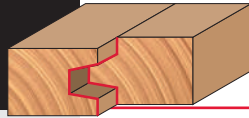
Black Item Numbers Indicate 3/4" Bore

Red Item Numbers Indicate 1-1/4" Bore

All Profile Drawings 1:1 Scale

SHAPER CUTTERS

FIXED WING CUTTER



Wedge Tongue & Groove Cutters

USE IN



Shaper Machine

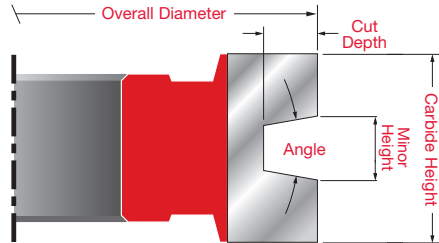
APPLICATION

Increase the amount of gluing area for maximum strength

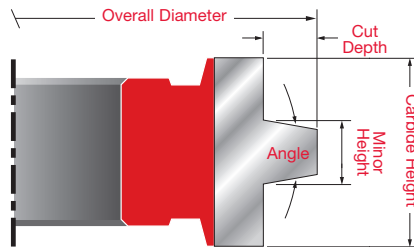
MATERIALS



| ITEM NUMBER | OVERALL DIA. | CUT DEPTH | CARBIDE HEIGHT | MINOR HEIGHT | ANGLE | BORE DIA. |
|-------------|--------------|-----------|----------------|--------------|-------|-----------|
| EC032 | 2-7/8" | 5/16" | 1-7/64" | 3/8" | 20° | 3/4" |
| EC033 | 2-7/8" | 5/16" | 1-7/64" | 3/8" | 20° | 3/4" |
| UP032 | 3-9/16" | 5/16" | 1-3/32" | 3/8" | 20° | 1-1/4" |
| UP033 | 3-9/16" | 5/16" | 1-3/32" | 3/8" | 20° | 1-1/4" |



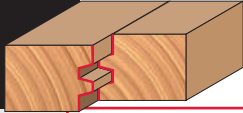
EC032 / UP032



EC033 / UP033

SHAPER CUTTERS

FIXED WING CUTTER



Reversible Glue Joint Cutters

USE IN



Shaper Machine

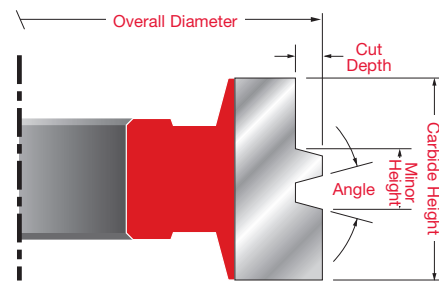
APPLICATION

Produce a strong joint by increasing the surface area for the glue

MATERIALS

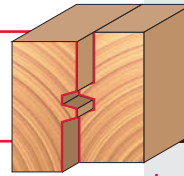


| ITEM NUMBER | OVERALL DIA. | CUT DEPTH | CARBIDE HEIGHT | MINOR HEIGHT | ANGLE | BORE DIAMETER |
|-------------|--------------|-----------|----------------|--------------|-------|---------------|
| EC031 | 2-7/8" | 5/32" | 1-17/64" | 23/64" | 30° | 3/4" |
| UP031 | 3-9/16" | 5/32" | 1-3/16" | 23/64" | 30° | 1-1/4" |



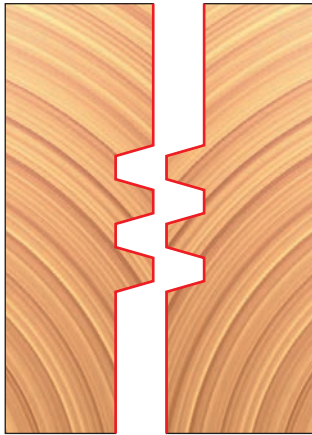
EC031 / UP031

Glue Joint Cutters

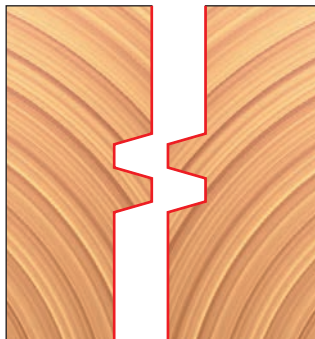
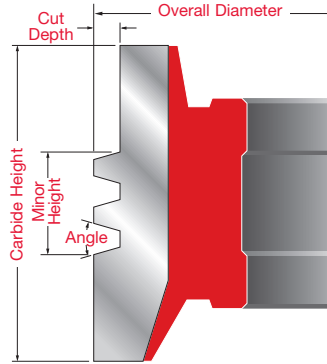


FIXED WING CUTTER

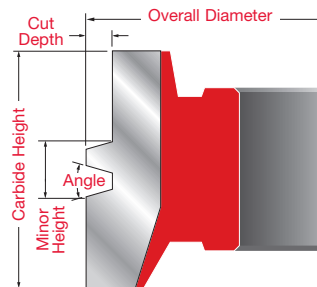
| ITEM NUMBER | OVERALL DIA. | CUT DEPTH | CARBIDE HEIGHT | MINOR HEIGHT | ANGLE | BORE DIAMETER |
|-------------|--------------|-----------|----------------|--------------|-------|---------------|
| UP035 | 3-9/16" | 13/64" | 2-3/8" | 49/64" | 32° | 1-1/4" |
| UP037 | 3-9/16" | 13/64" | 1-23/32" | 13/32" | 32° | 1-1/4" |



UP035



UP037



USE IN



Shaper Machine

APPLICATION

Produce a strong joint by increasing the surface area for the glue

MATERIALS



Hardwood



Softwood

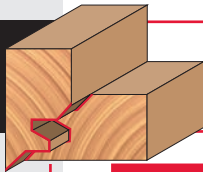


MDF



Plywood

FIXED WING CUTTER



Tongue & Groove Lock Miter Cutters

USE IN



Shaper Machine

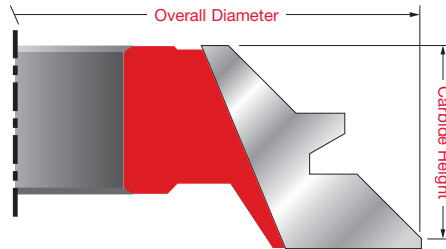
APPLICATION

Cutters are designed to make lock miter joints easily. Run one board vertically and the second piece horizontally.

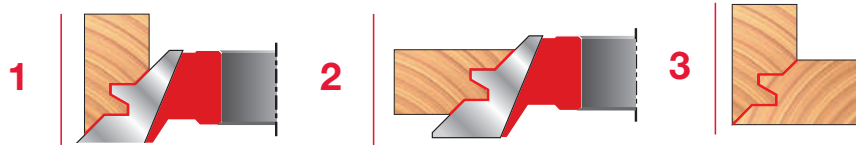
MATERIALS



| ITEM NUMBER | OVERALL DIA. | CARBIDE HEIGHT | BORE DIAMETER |
|-------------|--------------|----------------|---------------|
| EC034 | 4-5/32" | 1-5/32" | 3/4" |
| UP034 | 4-3/4" | 1-3/16" | 1-1/4" |

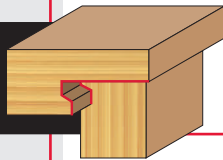


EC034 / UP034



SHAPER CUTTERS

FIXED WING CUTTER



Drawer Lock Cutters

USE IN



Shaper Machine

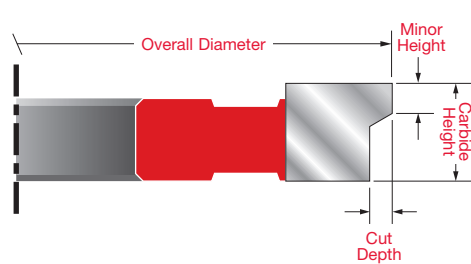
APPLICATION

Designed for 1/2" and 3/4" thick stock, these cutters provide a strong joint for drawer fronts.

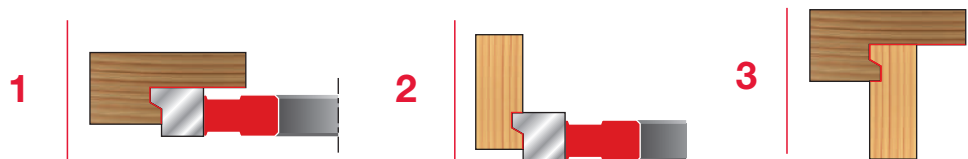
MATERIALS



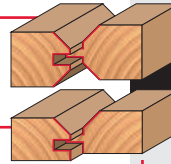
| ITEM NUMBER | OVERALL DIA. | CUT DEPTH | CARBIDE HEIGHT | MINOR HEIGHT | BORE DIAMETER |
|-------------|--------------|-----------|----------------|--------------|---------------|
| EC240 | 2-7/8" | 1/8" | 33/64" | 5/32" | 3/4" |
| UP240 | 3-15/16" | 1/8" | 33/64" | 5/32" | 1-1/4" |



EC240 / UP240



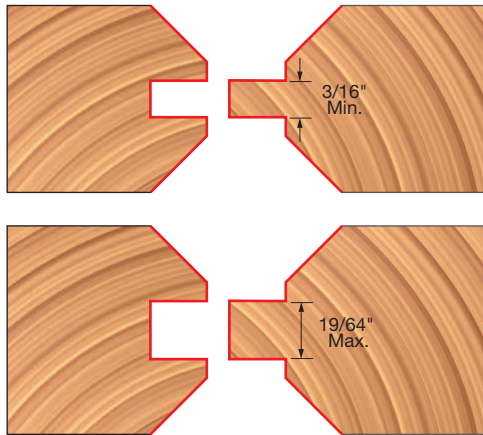
V-Paneling Cutter Sets



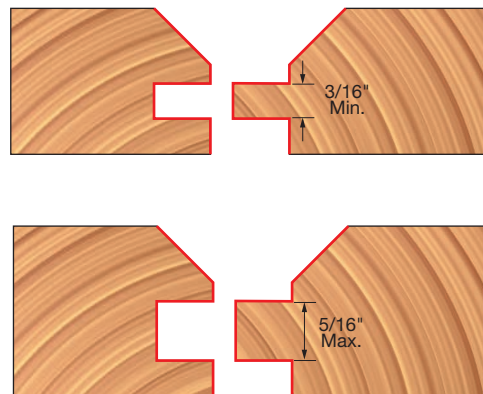
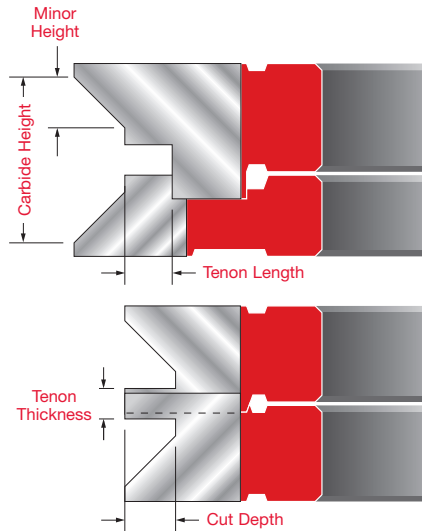
FIXED WING CUTTER

| ITEM NUMBER | OVERALL DIA. | CUT DEPTH | CARBIDE HEIGHT | MINOR HEIGHT | TENON THICKNESS | TENON LENGTH | BORE DIA. |
|-------------|--------------|-----------|-----------------|--------------|-----------------|--------------|-----------|
| UP190 | 4-1/8" | 19/64" | 31/32"-1-5/64" | 19/64" | 3/16"-19/64" | 19/64" | 1-1/4" |
| UP191 | 4-1/8" | 9/32" | 1-1/16"-1-3/16" | 19/64" | 3/16"-5/16" | 9/32" | 1-1/4" |

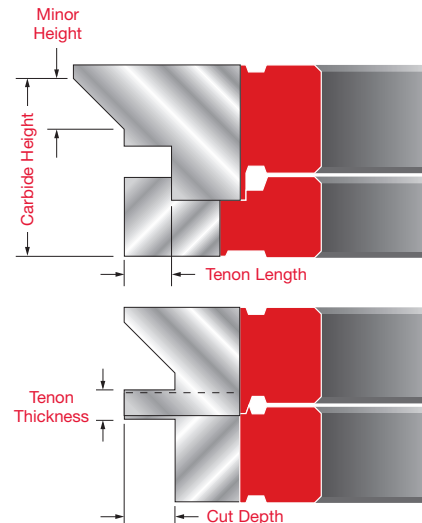
Number of Set: 4



UC190 / UP190



UC191 / UP191



USE IN



Shaper Machine

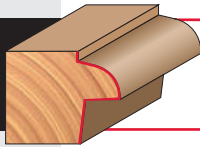
APPLICATION

Produce a strong joint by increasing the surface area for the glue

MATERIALS



FIXED WING CUTTER



Door Lip Cutter

USE IN



Shaper Machine

APPLICATION

Counter-clockwise rotation with the rabbet down, popular with raised panel doors where the panel extends further than the door frame

MATERIALS



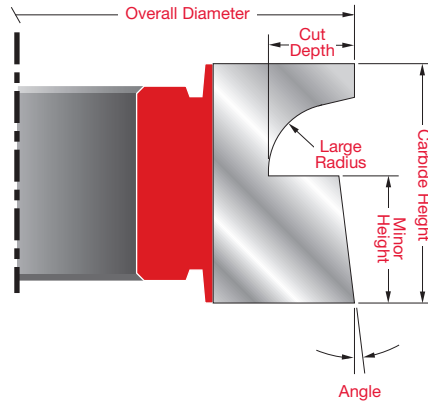
Hardwood

Softwood

MDF

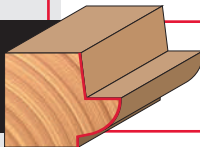
Plywood

| ITEM NUMBER | OVERALL DIA. | CUT DEPTH | CARBIDE HEIGHT | MINOR HEIGHT | LARGE RADIUS | ANGLE | BORE DIA. |
|-------------|--------------|-----------|----------------|--------------|--------------|-------|-----------|
| EC001 | 2-7/8" | 29/64" | 1-1/4" | 43/64" | 23/64" | 7° | 3/4" |
| UP001 | 3-9/16" | 29/64" | 1-1/4" | 43/64" | 23/64" | 7° | 1-1/4" |



EC001 / UP001

FIXED WING CUTTER



Door Lip Cutter

USE IN



Shaper Machine

APPLICATION

Clockwise rotation with the rabbet down, popular with raised panel doors where the panel extends further than the door frame

MATERIALS



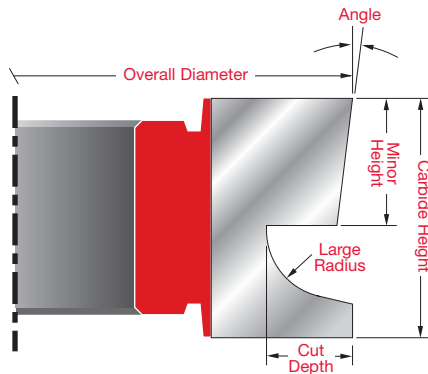
Hardwood

Softwood

MDF

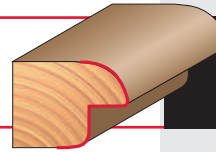
Plywood

| ITEM NUMBER | OVERALL DIA. | CUT DEPTH | CARBIDE HEIGHT | MINOR HEIGHT | LARGE RADIUS | ANGLE | BORE DIA. |
|-------------|--------------|-----------|----------------|--------------|--------------|-------|-----------|
| UP002 | 3-9/16" | 29/64" | 1-1/4" | 43/64" | 23/64" | 7° | 1-1/4" |



UP002

Door Lip Cutters



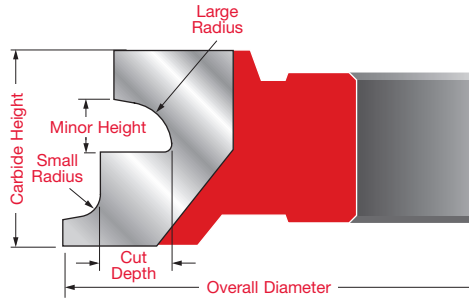
FIXED WING CUTTER

CONTINUED

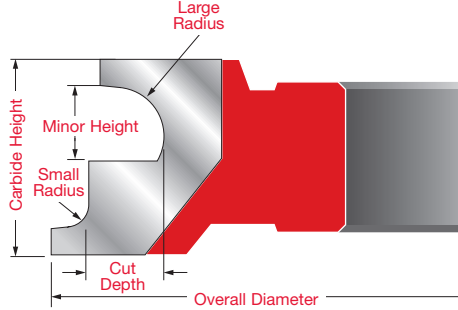
| ITEM NUMBER | OVERALL DIA. | CUT DEPTH | CARBIDE HEIGHT | MINOR HEIGHT | LARGE RADIUS | SMALL RADIUS | BORE DIA. |
|-------------|--------------|-----------|----------------|--------------|--------------|--------------|-----------|
| UP293 | 4-21/64" | 3/8" | 1-1/32" | 9/32" | 15/64" | 1/8" | 1-1/4" |
| UP294 | 4-21/64" | 25/64" | 1-1/32" | 25/64" | 1/4" | 1/8" | 1-1/4" |
| UP295 | 4-21/64" | 13/32" | 1-1/32" | 25/64" | 1/8" | 1/8" | 1-1/4" |
| UP296 | 4-21/64" | 13/32" | 1-1/32" | 25/64" | 1/8" | 5/64" | 1-1/4" |
| UP297 | 4-21/64" | 7/16" | 1-1/32" | 23/64" | 19/32" | 1/8" | 1-1/4" |



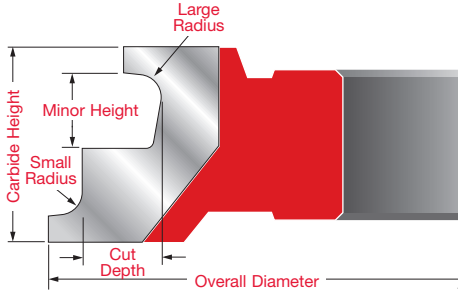
UP293



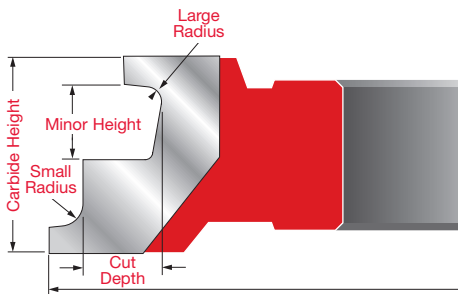
UP294



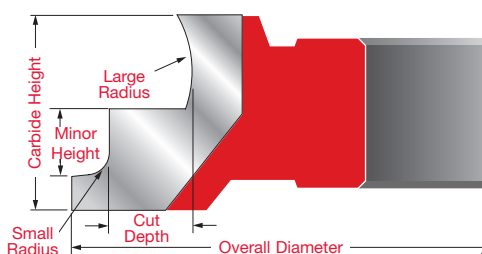
UP295



UP296



UP297



Black Item Numbers Indicate 3/4" Bore

Red Item Numbers Indicate 1-1/4" Bore

All Profile Drawings 1:1 Scale

USE IN



Shaper Machine

APPLICATION

Leaves a smooth radius on the back of the rabbet for easier finishing. By varying the height and fence settings these door lip cutters can provide different profiles.

MATERIALS



Hardwood

Softwood

MDF

Plywood

FIXED WING CUTTER

Combination 1/4" & 1/2" Round Over Cutters

USE IN



Shaper Machine

APPLICATION

Two cutters in one. 1 part is a 1/4" rounding over cutter and 1 is a 1/2" rounding over cutter. These cutters can also be used as a molding profile cutter and a beading cutter.

MATERIALS



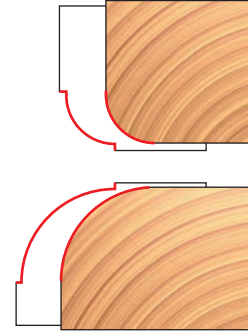
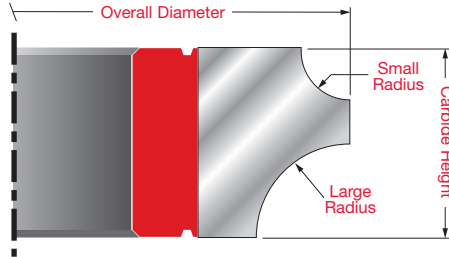
Hardwood

Softwood

MDF

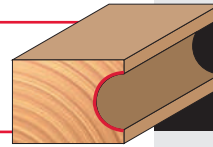
Plywood

| ITEM NUMBER | OVERALL DIA. | CARBIDE HEIGHT | LARGE RADIUS | SMALL RADIUS | BORE DIAMETER |
|-------------|--------------|----------------|--------------|--------------|---------------|
| EC044 | 2-7/8" | 1" | 1/2" | 1/4" | 3/4" |
| UP004 | 3-9/16" | 1" | 1/2" | 1/4" | 1-1/4" |



EC044 / UP004

Convex Radius Cutters



FIXED WING CUTTER

| ITEM NUMBER | OVERALL DIA. | CARBIDE HEIGHT | LARGE RADIUS | BORE DIAMETER |
|-------------|--------------|----------------|--------------|---------------|
| EC101 | 2-7/8" | 1/4" | 1/8" | 3/4" |
| EC102 | 2-7/8" | 3/8" | 3/16" | 3/4" |
| EC103 | 2-7/8" | 1/2" | 1/4" | 3/4" |
| EC104 | 2-7/8" | 5/8" | 5/16" | 3/4" |
| EC105 | 2-7/8" | 3/4" | 3/8" | 3/4" |
| UP101 | 3-9/16" | 1/4" | 1/8" | 1-1/4" |
| UP102 | 3-9/16" | 3/8" | 3/16" | 1-1/4" |
| UP103 | 3-9/16" | 1/2" | 1/4" | 1-1/4" |
| UP104 | 3-9/16" | 5/8" | 5/16" | 1-1/4" |
| UP105 | 3-9/16" | 3/4" | 3/8" | 1-1/4" |
| UP106 | 3-9/16" | 7/8" | 7/16" | 1-1/4" |
| UP107 | 3-9/16" | 1" | 1/2" | 1-1/4" |
| UP109 | 3-5/8" | 1-1/2" | 3/4" | 1-1/4" |
| UP110 | 4" | 2" | 1" | 1-1/4" |

USE IN

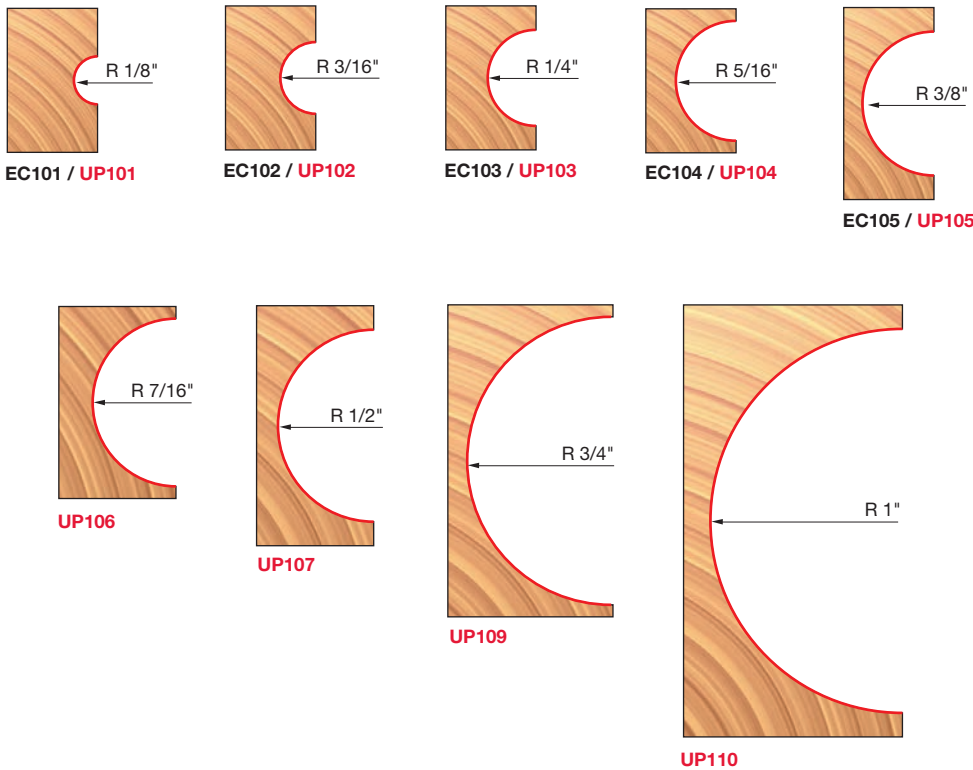
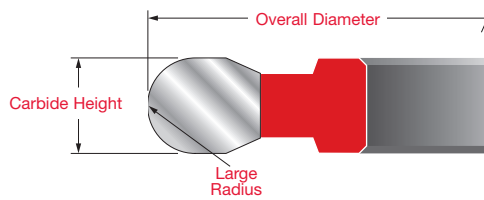


Shaper Machine

APPLICATION

Computer balanced three-wing cutters can be used for cutting flutes and coves. Available in the most popular sizes for both 3/4" and 1-1/4" bores.

MATERIALS

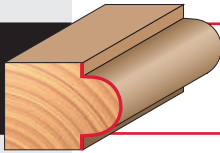


Black Item Numbers Indicate 3/4" Bore

Red Item Numbers Indicate 1-1/4" Bore

All Profile Drawings 1:1 Scale

FIXED WING CUTTER



Concave Radius Cutters

USE IN



Shaper Machine

APPLICATION

Cutting beads and rounding the end of boards. Available in the most popular sizes for both 3/4" and 1-1/4" bores.

MATERIALS



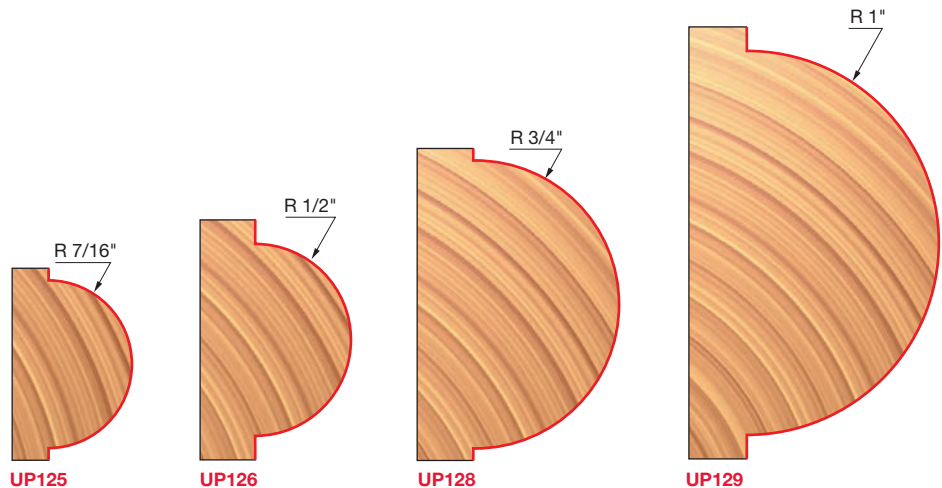
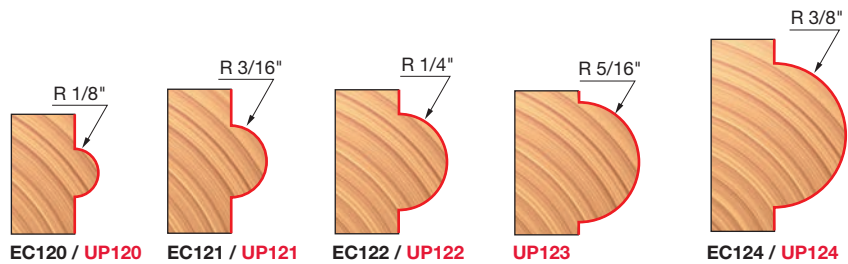
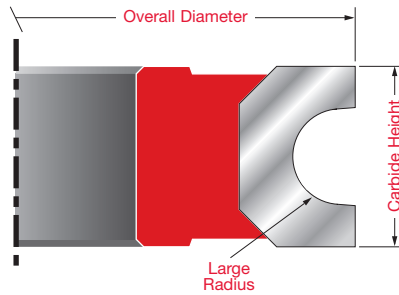
Hardwood

Softwood

MDF

Plywood

| ITEM NUMBER | OVERALL DIA. | CARBIDE HEIGHT | LARGE RADIUS | BORE DIAMETER |
|-------------|--------------|----------------|--------------|---------------|
| EC120 | 2-7/8" | 5/8" | 1/8" | 3/4" |
| EC121 | 2-7/8" | 25/32" | 3/16" | 3/4" |
| EC122 | 2-7/8" | 15/16" | 1/4" | 3/4" |
| EC124 | 2-7/8" | 1-1/4" | 3/8" | 3/4" |
| UP120 | 3-9/16" | 21/32" | 1/8" | 1-1/4" |
| UP121 | 3-9/16" | 13/16" | 3/16" | 1-1/4" |
| UP122 | 3-9/16" | 31/32" | 1/4" | 1-1/4" |
| UP123 | 3-9/16" | 1-1/8" | 5/16" | 1-1/4" |
| UP124 | 3-9/16" | 1-9/32" | 3/8" | 1-1/4" |
| UP125 | 3-5/8" | 1-13/32" | 7/16" | 1-1/4" |
| UP126 | 4" | 1-39/64" | 1/2" | 1-1/4" |
| UP128 | 4-11/16" | 2-7/64" | 3/4" | 1-1/4" |
| UP129 | 5-1/8" | 2-39/64" | 1" | 1-1/4" |



Black Item Numbers Indicate 3/4" Bore

Red Item Numbers Indicate 1-1/4" Bore

All Profile Drawings 1:1 Scale

Combination Convex & Concave Cutters

FIXED WING CUTTER

| ITEM NUMBER | OVERALL DIA. | CARBIDE HEIGHT | LARGE RADIUS | BORE DIAMETER |
|-------------|--------------|----------------|--------------|---------------|
| UP132 | 3-9/16" | 3/4" | 1/4" | 1-1/4" |
| UP133 | 3-9/16" | 63/64" | 5/16" | 1-1/4" |
| UP134 | 3-9/16" | 1-1/64" | 3/8" | 1-1/4" |
| UP136 | 4-1/4" | 1-23/64" | 1/2" | 1-1/4" |
| UP137 | 4-11/16" | 1-35/64" | 5/8" | 1-1/4" |
| UP138 | 4-11/16" | 1-53/64" | 3/4" | 1-1/4" |
| UP139 | 5-1/8" | 2-1/4" | 1" | 1-1/4" |

USE IN

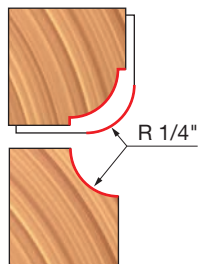
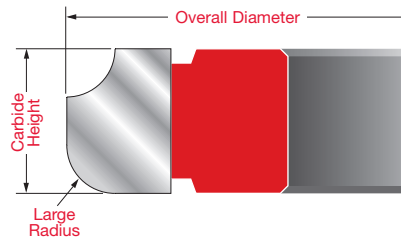


Shaper Machine

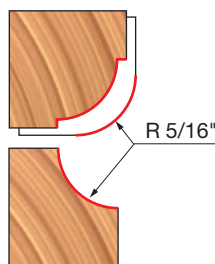
APPLICATION

These cutters offer maximum versatility, by producing half round beads, quarter round beads, coves, and rounding over cuts. These bits are great for making drop leaf tables by creating mating profiles with the use of one cutter.

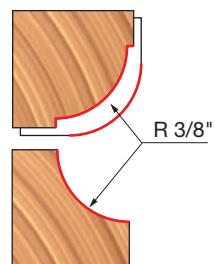
MATERIALS



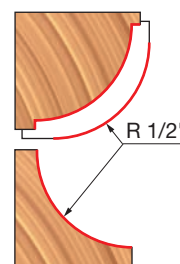
UP132



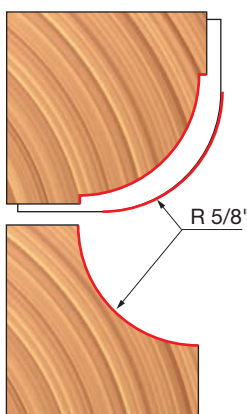
UP133



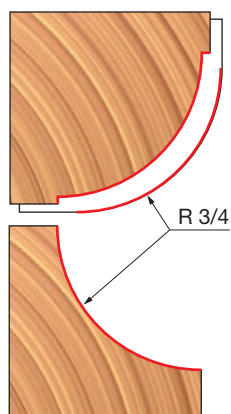
UP134



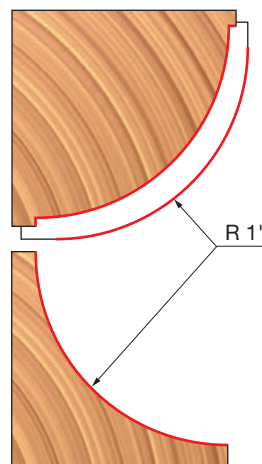
UP135



UP137

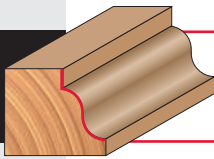


UP138



UP139

FIXED WING CUTTER



Roman Ogee Cutters

USE IN



Shaper Machine

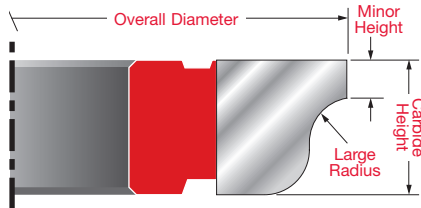
APPLICATION

Creates pattern of edge treatments. The pattern can also be changed by raising or lowering the spindle.

MATERIALS



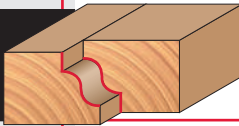
| ITEM NUMBER | OVERALL DIA. | CARBIDE HEIGHT | MINOR HEIGHT | LARGE RADIUS | BORE DIAMETER |
|-------------|--------------|----------------|--------------|--------------|---------------|
| EC005 | 2-7/8" | 25/32" | 9/32" | 15/64" | 3/4" |
| UP005 | 3-5/8" | 45/64" | 13/64" | 15/64" | 1-1/4" |



EC005 / UP005

SHAPER CUTTERS

FIXED WING CUTTER



Matched Reverse Detail Cutters

USE IN



Shaper Machine

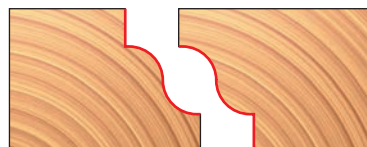
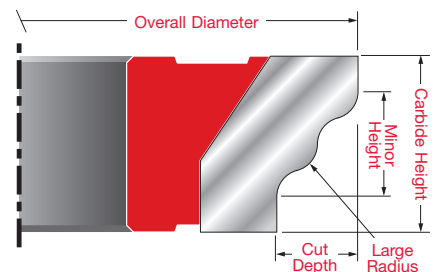
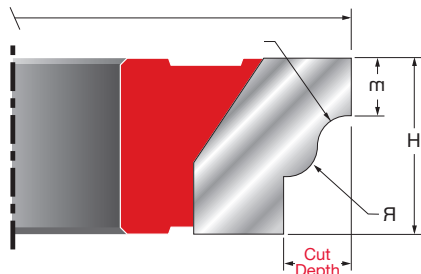
APPLICATION

These cutters have perfectly matched profiles which enable both the molding cut and a matching coping cut with the same cutter

MATERIALS



| ITEM NUMBER | OVERALL DIA. | CUT DEPTH | CARBIDE HEIGHT | MINOR HEIGHT | LARGE RADIUS | SHANK DIA. | BORE DIA. |
|-------------|--------------|-----------|----------------|--------------|--------------|------------|-----------|
| UP280 | 3-15/16" | 25/64" | 1-3/32" | 23/64" | 11/64" | - | 1-1/4" |
| UP281 | 3-15/16" | 15/32" | 1-3/32" | 5/16" | 5/32" | - | 1-1/4" |
| UP282 | 3-15/16" | 5/8" | 1-3/32" | 1/2" | 15/64" | - | 1-1/4" |
| UP283 | 3-15/16" | 33/64" | 63/64" | 33/64" | 13/64" | - | 1-1/4" |
| UP284 | 3-15/16" | 43/64" | 63/64" | 33/64" | 23/64" | - | 1-1/4" |
| UP285 | 3-15/16" | 63/64" | 23/64" | 19/32" | 15/64" | - | 1/1/4" |
| UP286 | 3-15/16" | 3/4" | 63/64" | 23/64" | 23/64" | - | 1-1/4" |
| UP287 | 3-15/16" | 19/32" | 63/64" | 3/4" | 5/16" | - | 1-1/4" |
| UP288 | 4-1/8" | 5/8" | 63/64" | 17/64" | - | 23° | 1-1/4" |



UP280

Black Item Numbers Indicate 3/4" Bore

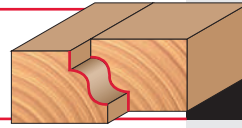


UP281

Red Item Numbers Indicate 1-1/4" Bore

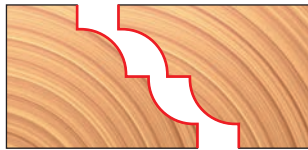
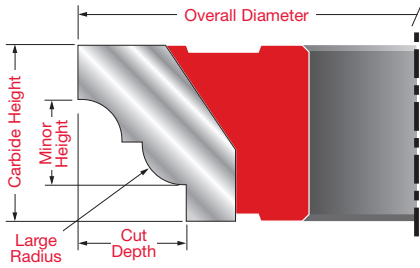
All Profile Drawings 1:1 Scale

Matched Reverse Detail Cutters

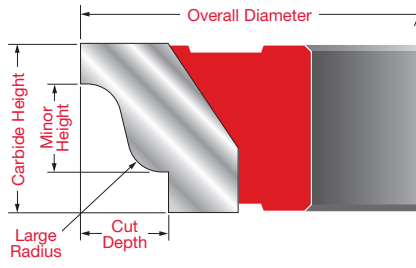


FIXED WING CUTTER

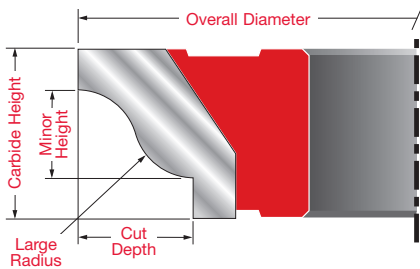
CONTINUED



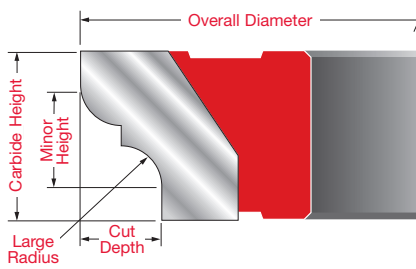
UP282



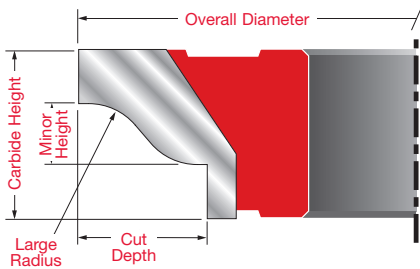
UP283



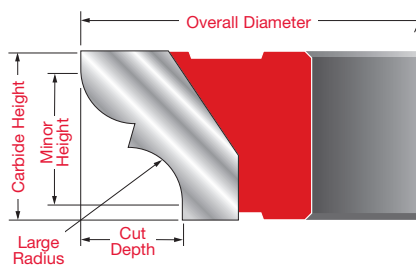
UP284



UP285



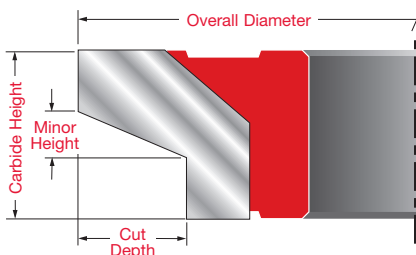
UP286



UP287



UP288



USE IN



Shaper Machine

APPLICATION

These cutters have perfectly matched profiles which enable both the molding cut and a matching coping cut with the same cutter

MATERIALS



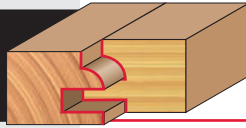
Hardwood

Softwood

MDF

Plywood

FIXED WING CUTTER



3/4" Stock Male & Female Cabinet Door Cutter Sets

USE IN



Shaper Machine

APPLICATION

Perfect for the high production needs of a cabinet or door shop. Shims are included to ensure perfectly fitted joints through many sharpenings.

MATERIALS



Hardwood

Softwood

MDF

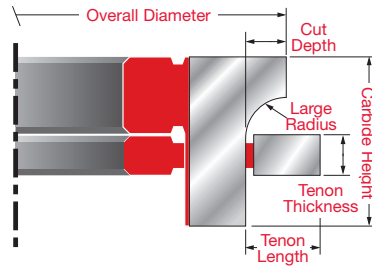
Plywood

SHAPER CUTTERS

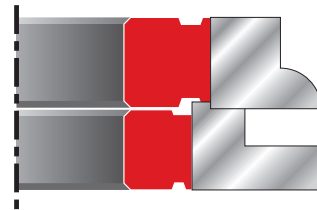
| ITEM NO. | OVERALL DIA. | CUT DEPTH | CARBIDE HEIGHT | TENON THICKNESS | TENON LENGTH | LARGE RADIUS | SMALL RADIUS | BORE DIA. | RUB COLLAR NO. |
|------------------------------------|--------------|-----------|----------------|-----------------|--------------|--------------|--------------|-----------|----------------|
| Round Over Profile | | | | | | | | | |
| EC260 | 2-7/16" | 15/64" | 1" | 15/64" | 7/16" | 15/64" | — | 3/4" | RC-001 |
| UP260 | 3-9/16" | 15/64" | 1" | 15/64" | 7/16" | 15/64" | — | 1-1/4" | RC30# |
| Roman Ogee Profile | | | | | | | | | |
| EC261 | 2-11/16" | 11/32" | 1" | 15/64" | 7/16" | 9/32" | 11/64" | 3/4" | RC-001 |
| UP261 | 3-9/16" | 11/32" | 29/32" | 15/64" | 7/16" | 9/32" | 11/64" | 1-1/4" | RC30# |
| Ogee Profile (Double Sided) | | | | | | | | | |
| UP262 | 3-9/16" | 15/64" | 1-1/16" | 15/64" | 7/16" | 1/8" | — | 1-1/4" | RC30# |
| Bead Profile | | | | | | | | | |
| EC263 | 2-11/16" | 11/32" | 1" | 15/64" | 7/16" | 9/32" | — | 3/4" | |
| UP263 | 3-9/16" | 11/32" | 1" | 15/64" | 7/16" | 9/32" | — | 1-1/4" | RC30# |
| Ogee Profile | | | | | | | | | |
| UP264 | 3-9/16" | 11/32" | 1" | 15/64" | 7/16" | 9/64" | — | 1-1/4" | RC30# |

Number of Pieces: 4

Round Over Profile

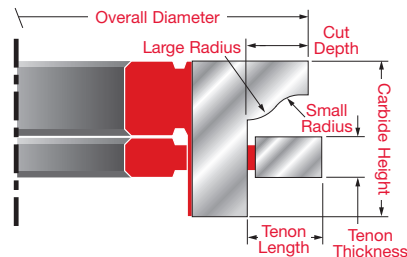


EC260 / UP260

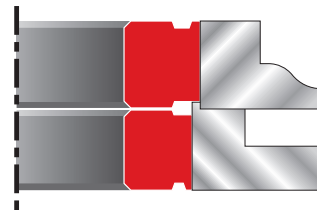


EC260 / UP260

Roman Ogee Bits

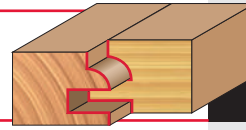


EC261 / UP261



EC261 / UP261

3/4" Stock Male & Female Cabinet Door Cutter Sets



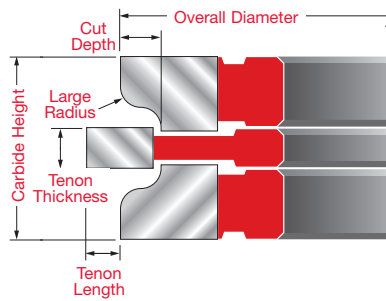
FIXED WING CUTTER

CONTINUED

Ogee Profile (Double Sided)



UP262



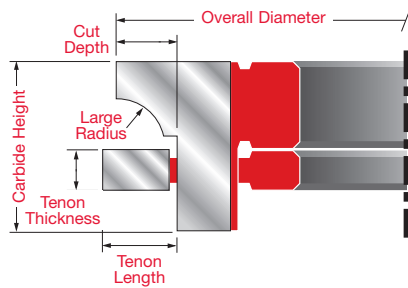
UP262



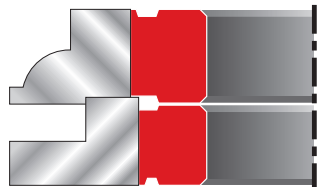
Bead Profile



EC263 / UP263



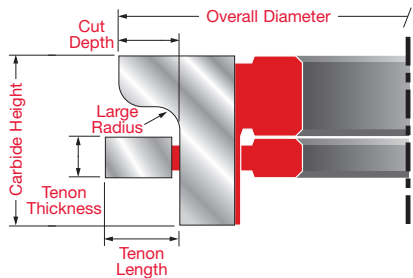
EC263 / UP263



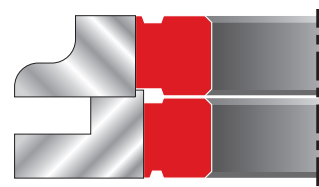
Ogee Profile



UP264



UP264



USE IN



Shaper Machine

APPLICATION

Perfect for the high production needs of a cabinet or door shop. Shims are included to ensure perfectly fitted joints through many sharpenings.

MATERIALS



Hardwood



Softwood



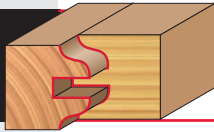
MDF



Plywood

SHAPER CUTTERS

FIXED WING CUTTER



1" Stock Male & Female Door Cutter Sets

USE IN



Shaper Machine

APPLICATION

Creates a molding cut on both sides of the rail and stile. Ideal for lightweight doors or divider screens. Shims are included to ensure perfectly fitted joints through many sharpenings. Each cutter is balanced, and has thick carbide tips for maximum sharpening life.

MATERIALS



Hardwood

Softwood

MDF

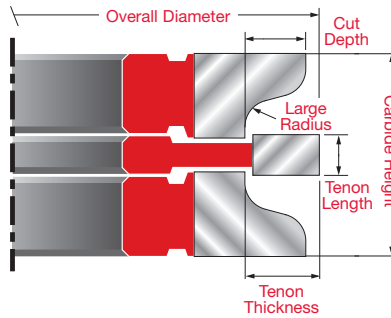
Plywood

SHAPER CUTTERS

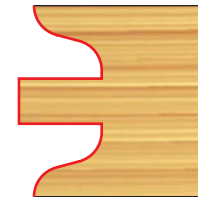
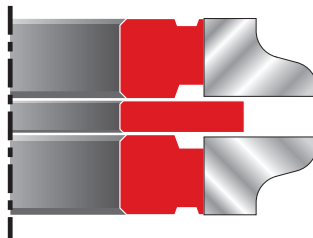
| ITEM NO. | OVERALL DIA. | CUT DEPTH | CARBIDE HEIGHT | TENON THICKNESS | TENON LENGTH | LARGE RADIUS | BORE DIA. | RUB COLLAR NO. |
|--|--------------|-----------|----------------|-----------------|--------------|--------------|-----------|----------------|
| Ogee Profile (Double Sided) | | | | | | | | |
| UP268 | 3-9/16" | 23/64" | 1-3/16" | 15/64" | 7/16" | 5/32" | 1-1/4" | RC30# |
| Round Over Profile (Double Sided) | | | | | | | | |
| UP266 | 3-9/16" | 15/64" | 1-3/16" | 15/64" | 7/16" | 15/64" | 1-1/4" | RC30# |
| UP267 | 3-9/16" | 11/32" | 1-11/32" | 15/64" | 7/16" | 9/32" | 1-1/4" | RC30# |

Number of Pieces: 6

Ogee Over Profile

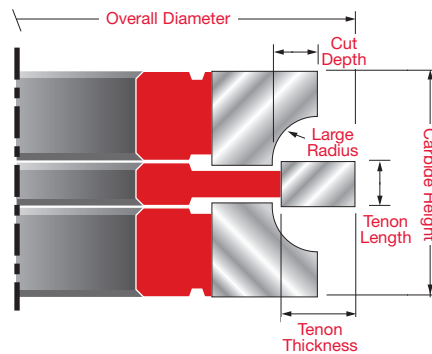


UP268

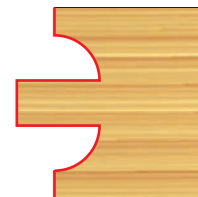


UP266

Round Over Profile



UP266



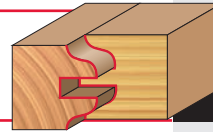
UP266

"#" Determines Bore Size
See Bushing & Rub Collars
for Bore Selection

Black Item Numbers Indicate 3/4" Bore
Red Item Numbers Indicate 1-1/4" Bore

All Profile Drawings 1:1 Scale

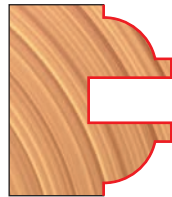
1" Stock Male & Female Door Cutter Sets



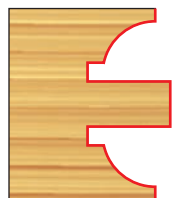
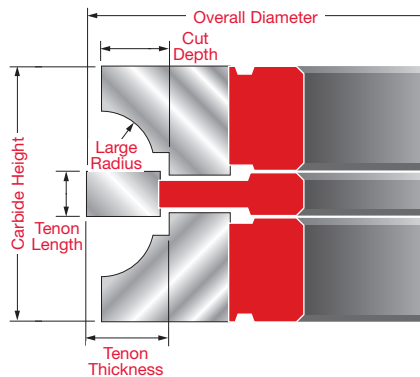
FIXED WING CUTTER

CONTINUED

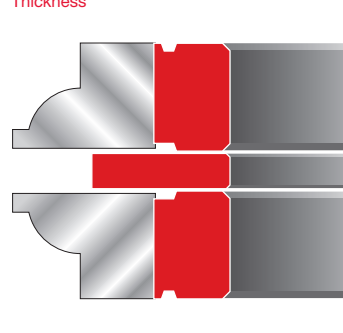
Round Over Profile



UP267



UP267



USE IN



Shaper Machine

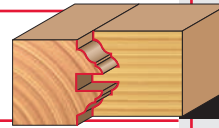
APPLICATION

Creates a molding cut on both sides of the rail and stile. Ideal for lightweight doors or divider screens. Shims are included to ensure perfectly fitted joints through many sharpenings.

MATERIALS



1-3/8" Stock Male & Female Interior Door Cutter Sets



FIXED WING CUTTER

| ITEM NO. | OVERALL DIA. | CUT DEPTH | CARBIDE HEIGHT | MINOR HEIGHT | TENON THICKNESS | TENON LENGTH | LARGE RADIUS | BORE DIA. | RUB COLLAR NO. |
|---|--------------|-----------|----------------|--------------|-----------------|--------------|--------------|-----------|----------------|
| Classical Profile (Double Sided) | | | | | | | | | |
| EC090 | 2-7/8" | - | 23/64" | 1-37/64" | 15/64" | - | 9/64" | 3/4" | - |
| UP090 | 3-9/16" | - | 23/64" | 1-27/64" | 15/64" | - | 1/8" | 1-1/4" | - |
| Classical Cove & Bead Profile (Double Sided) | | | | | | | | | |
| UP269 | 3-9/16" | 1-37/64" | 7/8" | - | 15/64" | 33/64" | 13/64" | 1-1/4" | RC20# |
| Round Over Profile (Double Sided) | | | | | | | | | |
| EC270 | 2-27/32" | - | 1-37/64" | - | 15/64" | 33/64" | 5/16" | 3/4" | RC-001 |
| UP270 | 3-9/16" | - | 1-37/64" | - | 15/64" | 33/64" | 5/16" | 1-1/4" | RC20# |
| Ogee Profile (Double Sided) | | | | | | | | | |
| UP272 | 3-9/16" | - | 1-1/2" | - | 15/64" | 17/32" | 3/16" | 1-1/4" | RC20# |

Number of Pieces: 6

USE IN



Shaper Machine

APPLICATION

Creates rail and stile for standard 1-3/8" thick interior doors. Cuts both molding and coping cuts.

MATERIALS

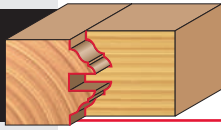


"#" Determines Bore Size
See Bushing & Rub Collars
for Bore Selection

Black Item Numbers Indicate 3/4" Bore
Red Item Numbers Indicate 1-1/4" Bore

All Profile Drawings 1:1 Scale

FIXED WING CUTTER



1-3/8" Stock Male & Female Interior Door Cutter Sets

CONTINUED

USE IN



Shaper Machine

APPLICATION

Creates rail and stile for standard 1-3/8" thick interior doors. Cuts both molding and coping cuts.

MATERIALS



Hardwood



Softwood



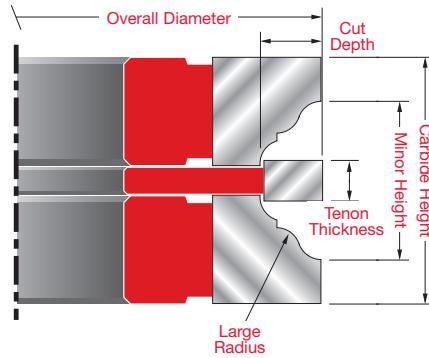
MDF



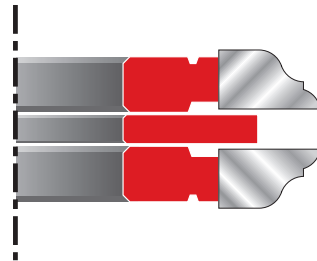
Plywood

SHAPER CUTTERS

Classical Profile (Double Sided)

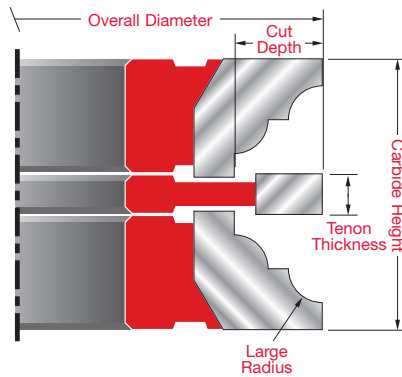


EC090 / UP090

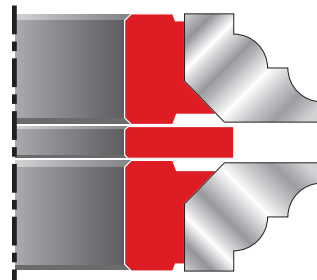


EC090 / UP090

Classical Cove & Bead Profile (Double Sided)

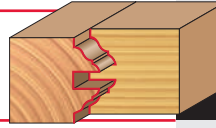


UP269



UP269

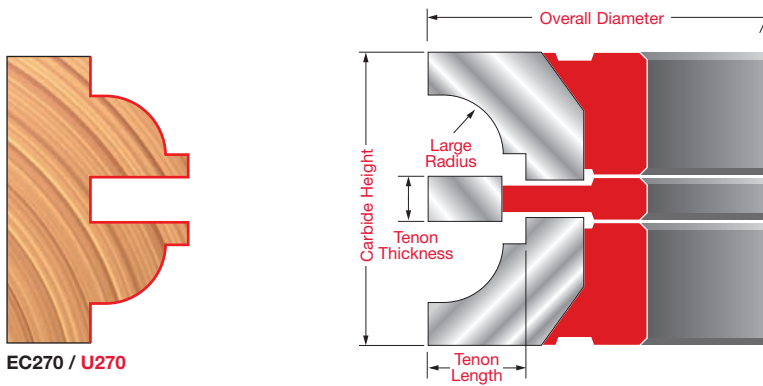
1-3/8" Stock Male & Female Interior Door Cutter Sets



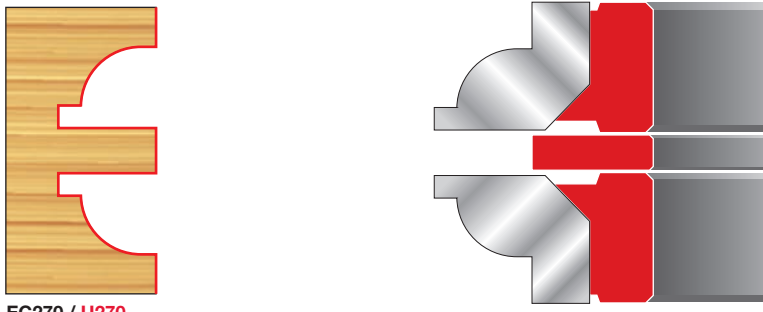
FIXED WING CUTTER

CONTINUED

Round Over Profile (Double Sided)

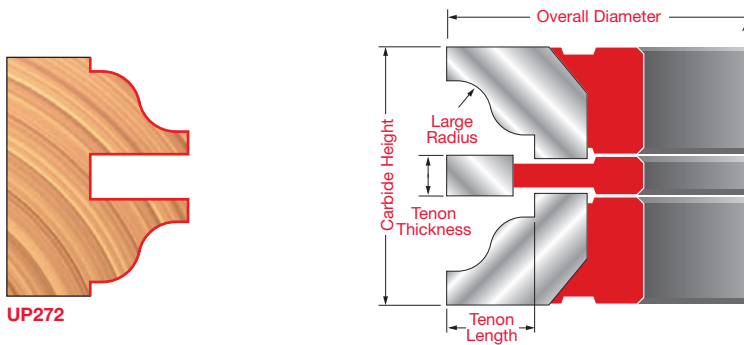


EC270 / U270

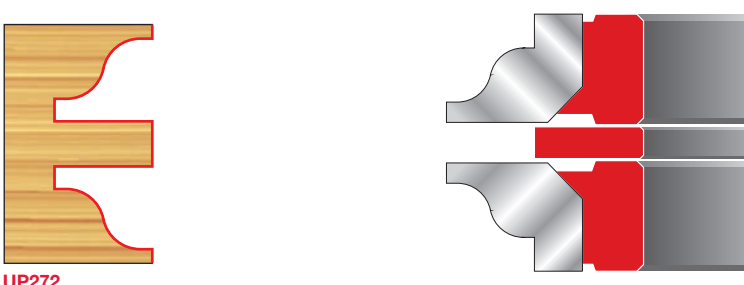


EC270 / U270

Ogee Profile (Double Sided)



UP272



UP272

USE IN



Shaper Machine

APPLICATION

Creates rail and stile for standard 1-3/8" thick interior doors. Cuts both molding and coping cuts.

MATERIALS



Hardwood

Softwood

MDF

Plywood

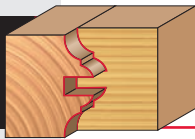
SHAPER CUTTERS

"#" Determines Bore Size
See Bushing & Rub Collars
for Bore Selection

Black Item Numbers Indicate 3/4" Bore
Red Item Numbers Indicate 1-1/4" Bore

All Profile Drawings 1:1 Scale

FIXED WING CUTTER



1-3/4" Stock Male & Female Exterior Door Cutter Sets

USE IN



Shaper Machine

APPLICATION

Creates profile on both sides of the rail and stile. Ideal for exterior doors. Shims are included to ensure perfectly fitted joints through many sharpenings. Each cutter is balanced, and has thick carbide tips for maximum sharpening life.

MATERIALS

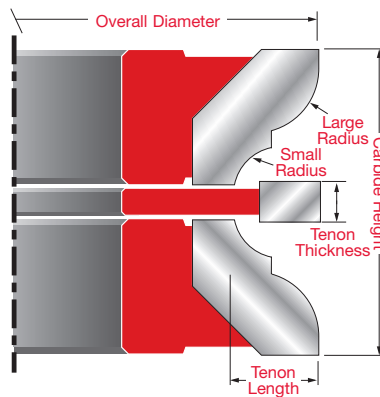


SHAPER CUTTERS

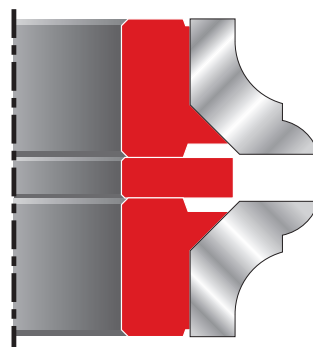
| ITEM NO. | OVERALL DIA. | CARBIDE HEIGHT | MINOR HEIGHT | TENON THICKNESS | TENON LENGTH | LARGE RADIUS | SMALL RADIUS | BORE DIA. | RUB COLLAR NO. |
|--|--------------|----------------|--------------|-----------------|--------------|--------------|--------------|-----------|----------------|
| Cove & Round Profile (Double Sided) | | | | | | | | | |
| EC091 | 2-7/8" | 1-47/64" | - | 15/64" | 1/2" | 21/64" | 9/32" | 3/4" | - |
| UP091 | 3-9/16" | 1-47/64" | - | 15/64" | 1/2" | 21/64" | 9/32" | 1-1/4" | - |
| Cove & Bead Profile (Double Sided) | | | | | | | | | |
| UP273 | 3-13/16" | 1-27/32" | 1-29/64" | 15/64" | 43/64" | 21/32" | - | 1-1/4" | RC20# |
| Bead Profile (Double Sided) | | | | | | | | | |
| EC274 | 2-27/32" | 1-31/32" | - | 15/64" | 33/64" | 25/64" | - | 3/4" | RC-001 |
| UP274 | 3-9/16" | 1-31/32" | - | 15/64" | 33/64" | 25/64" | - | 1-1/4" | RC20# |
| Ogee Profile (Double Sided) | | | | | | | | | |
| UP275 | 3-9/16" | 2-3/64" | 1-29/64" | 15/64" | 33/64" | 1/4" | - | 1-1/4" | RC20# |

Number of Pieces: 6

Cove & Bead Profile (Double Sided)



EC091 / UP091



EC091 / UP091